

# INSTALLATION INSTRUCTION

## SCOOP 120V/277V

# WAC LIGHTING

Responsible Lighting®

6612 / 6613

### SAFETY INSTRUCTION

**IMPORTANT:** NEVER attempt any work without shutting off the electricity.

- Read all instructions before installing.
- System is intended for installation by a qualified electrician in accordance with the National Electrical Code and local regulations.
- Place the wall switch in the "OFF" position.
- Go to the main fuse box, or circuit breaker. Unscrew the fuse(s) or switch "OFF" the circuit breaker switch(es) that control the power to the space that you are working on.

**WARNING:** Risk of electric shock. Install all luminaires 10 feet (3.05 m) or more from a pool, spa, or fountain.

### CAUTION:

All parts must be used as indicated in these instructions. Do not substitute any parts, leave parts out, or use any parts that are worn out or broken. Failure to follow this instruction could invalidate the UL listing of this fixture.

### AVERTISSEMENT

#### IMPORTANT : COUPEZ L'ÉLECTRICITÉ AVANT TOUTE MANIPULATION.

- Lisez toutes les instructions avant d'installer.
- Système est destiné à être installé par un électricien qualifié en conformité avec le code national de l'électricité et les règlements locaux.
- Placez l'interrupteur mural en position d'arrêt (« OFF »).
- Accédez au panneau central de disjoncteurs ou de fusibles de votre demeure et placez l'interrupteur principal en position d'arrêt (« OFF »).

### MISE EN GARDE

Toutes les pièces doivent être utilisées tel qu'il est indiqué dans ces instructions. Ne remplacez pas les pièces, n'en laissez pas de côté et ne les utilisez pas si elles sont usées ou brisées. Le non-respect de ces instructions peut annuler l'homologation ETL/cETL du luminaire.

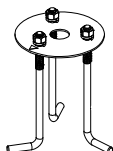
*\*Note: Transformer is required to power the fixture. (sold separately)*

### THIS INSTRUCTIONS APPLY TO THE MODELS BELOW:



SCOOP  
6612/6613

### MOUNTING ACCESSORIES (INCLUDED IN BOX)



Concrete Pour Kit  
Qty: 1pc  
M6610-CON-KIT



Outdoor Rated Wire Nut  
Qty: 3pcs  
7EAC352401



Hex Key  
Qty: 1pc  
7MPE305001  
Metric 3.0 MM

wacighting.com  
Phone (800) 526.2588  
Fax (800) 526.2585

Headquarters/Eastern Distribution Center  
44 Harbor Park Drive  
Port Washington, NY 11050

Central Distribution Center  
1600 Distribution Ct  
Lithia Springs, GA 30122

Western Distribution Center  
1750 Archibald Avenue  
Ontario, CA 91760

# INSTALLATION INSTRUCTION

## SCOOP 120V/277V

6612 / 6613

WAC LIGHTING  
Responsible Lighting®

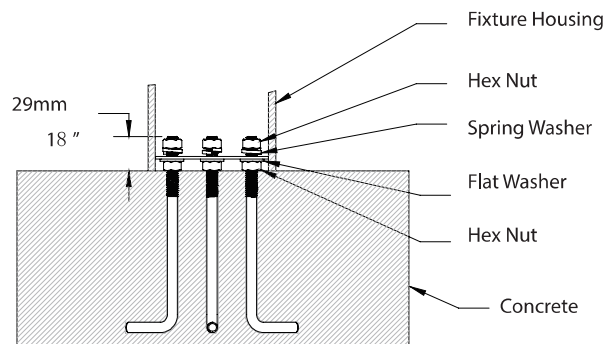
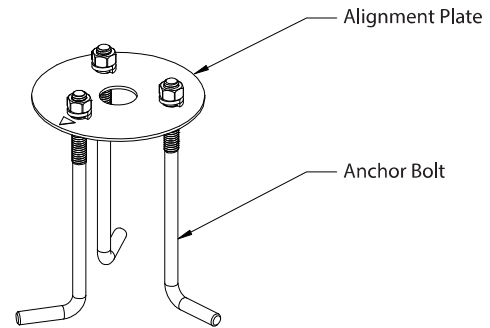
### INSTALLING ANCHOR BOLT IN CONCRETE

1. Make sure your main power is off.
2. Prior to installing the fixture, secure the anchor bolts and alignment plate into the cement. Insure the leads, electrical wires are passing up through the center hole of the alignment plate.

**(Note: Bollard Orientation is critical. See Bollard Orientation section for detail.)**

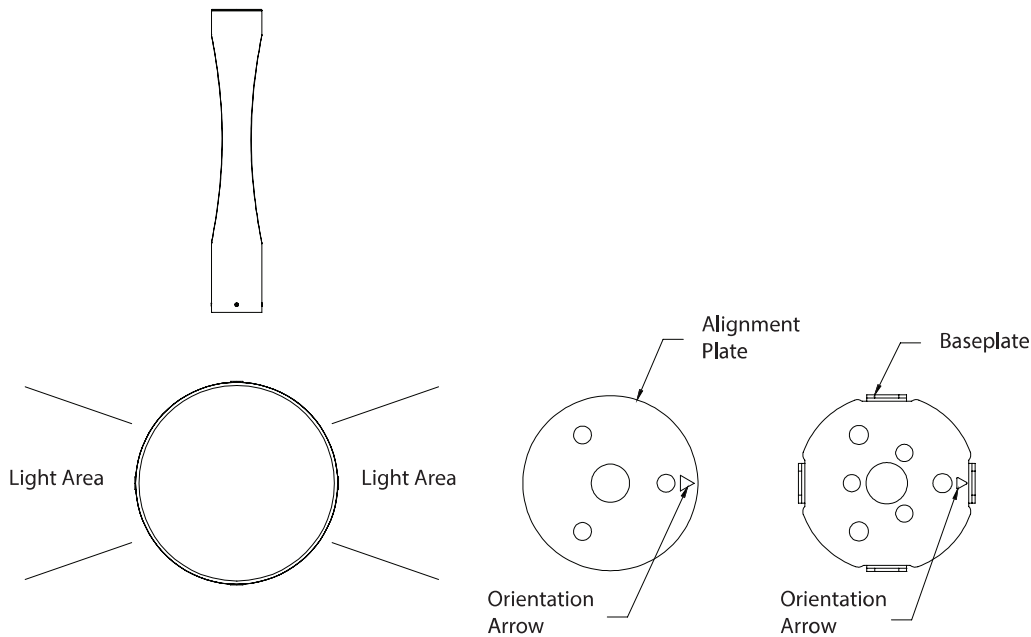
For shallow base bollards, insure that the anchor bolts length on top of the cement surface do not exceed 1-1/8" (29mm).

3. **After the cement has cured, remove the alignment Plate** and install the Fixture Baseplate until it's secure. Again, make sure to feed the leads, electrical wires up through the center hole of the baseplate.



### BOLLARD ORIENTATION

6612/6613



wacighting.com  
Phone (800) 526.2588  
Fax (800) 526.2585

Headquarters/Eastern Distribution Center  
44 Harbor Park Drive  
Port Washington, NY 11050

Central Distribution Center  
1600 Distribution Ct  
Lithia Springs, GA 30122

Western Distribution Center  
1750 Archibald Avenue  
Ontario, CA 91760

# INSTALLATION INSTRUCTION

## SCOOP 120V/277V

6612 / 6613

WAC LIGHTING  
Responsible Lighting®

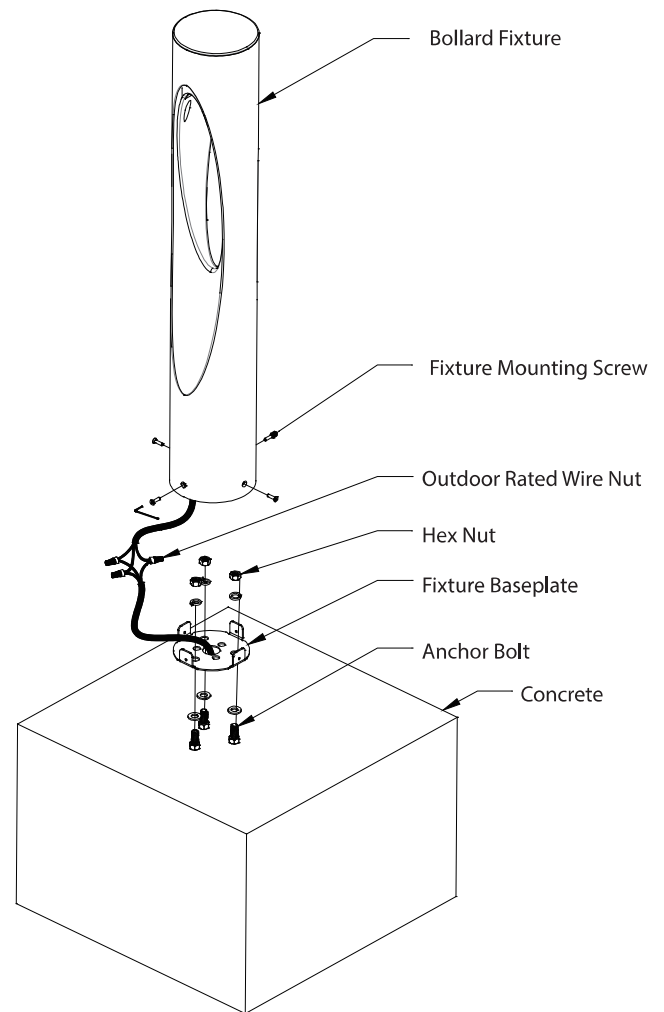
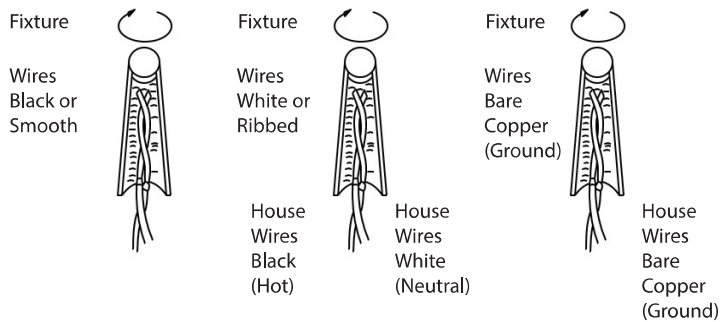
### FIXTURE INSTALLATION

1. Use leveler to ensure that the baseplate is leveled. Connect the supply lines from the supply conduit to the fixture input wires per the local electrical code. (See Wiring Diagram Below)

Tie the wires so that they do not lie on or have Contact with the ground.

2. Set the Bollard Fixture onto the Fixture Baseplate
3. Secure the fixture by tighten the Fixture Mounting Screws with Hex Key. Be sure not to crimp any wires between the Fixture Baseplate and the Fixture Housing Tube.
4. Turn the main power supply back on and make sure the fixtures light up.
5. You have now completed the installation of your fixture.

Wiring Diagram  
Fig.1



wacighting.com  
Phone (800) 526.2588  
Fax (800) 526.2585

Headquarters/Eastern Distribution Center  
44 Harbor Park Drive  
Port Washington, NY 11050

Central Distribution Center  
1600 Distribution Ct  
Lithia Springs, GA 30122

Western Distribution Center  
1750 Archibald Avenue  
Ontario, CA 91760