

LENOVA

4580 W Roosevelt Rd Hillside, IL 60162 www.Lenovasinks.com Phone: 877-733-1098

SPECIFICATIONS

MODEL PAC-22

GENERAL

Fine quality rectangle porcelain vessel sink

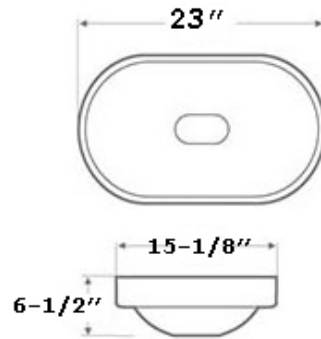
DESIGN FEATURES

Outside Bowl depth 6-1/2" with overall dimensions 23-5/8" X 15-1/8"

Installation style: Above counter

Material: Fine quality porcelain.

Other: Drain opening 1-3/4".



® UPC certified.

Product shall be specified as PAC-22

OPTIONAL ACCESSORIES:

19 Holes Grid Sink Drain:



A-SP-21GN (Brushed Nickel), A-SP-20GC (Polished Chrome), A-SP-22GB (Oil Rubbed Bronze)

Warranty:

Limited life time warranty against manufacturer defects.

Codes/Standards Applicable:

ASME A112.19.2 ASME A112.19.14/CSA B45.1

*Template and mounting clips are packed with every sink