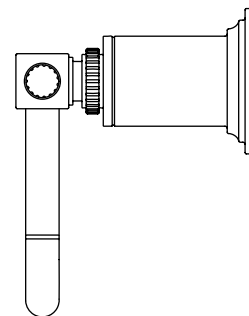
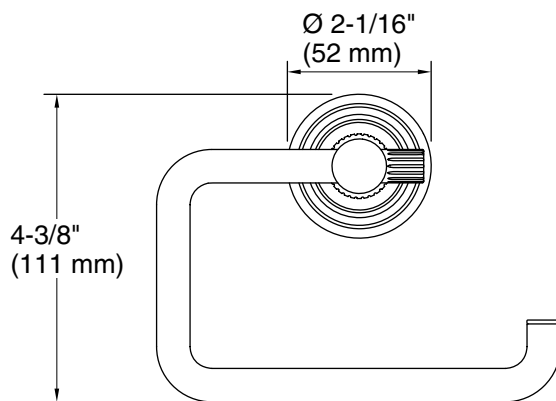
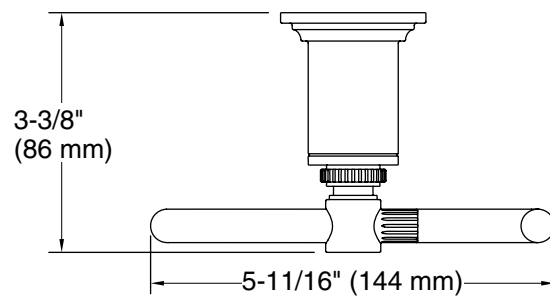


FEATURES

P31427

- Brass construction for durability and reliability
- Includes hex wrench for installation
- Unlacquered Brass (ULB): available only in North America and United Kingdom
- Complements the Central Park West collection



SPECIFIED MODEL

Model	Description	Finishes			
P31427-00	Central Park West Toilet Paper Holder	<input type="checkbox"/> CP Polished Chrome	<input type="checkbox"/> SN Polished Nickel	<input type="checkbox"/> ULB Unlacquered Brass	<input type="checkbox"/> BV Brushed Bronze

We reserve the right to make revisions without notice in the design of products or in packaging unless this right has specifically been waived at the time the order is accepted.