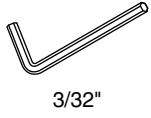
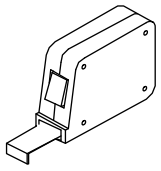
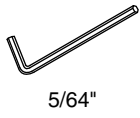


KALLISTA®

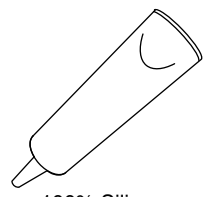
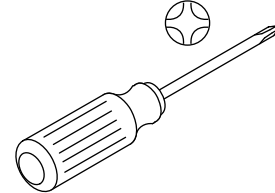
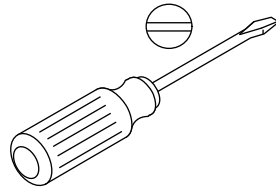
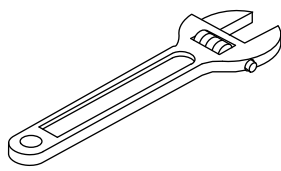
Installation Guide



3/32"



5/64"

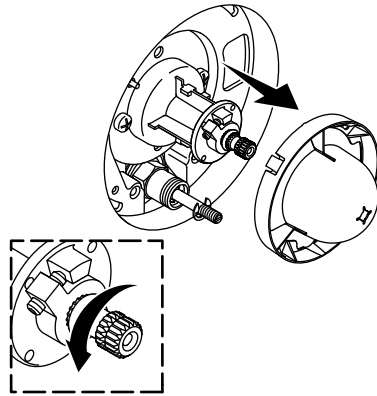


100% Silicone Sealant

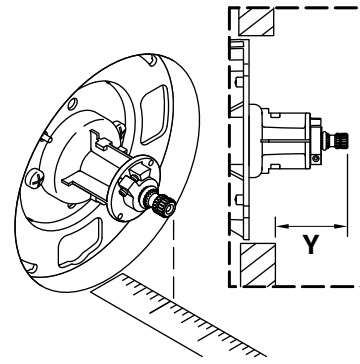
⚠ WARNING: Risk of scalding. High water temperature can cause severe burns. Set the water temperature at or below 120°F (49°C) following the adjustment procedure in the valve Installation and Care Guide.

Record your model number below for future reference: Observe all local plumbing and building codes.

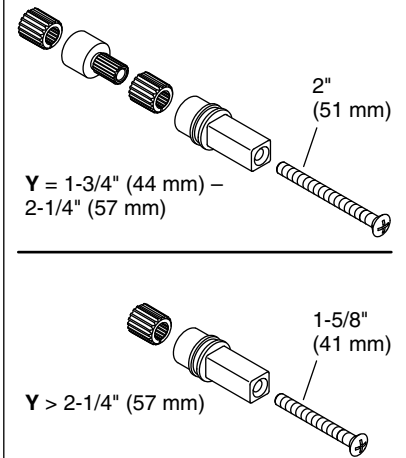
1 Remove the plaster guard. Rotate the valve stem closed.



2 Measure "Y" from the finished wall.



3 Use parts according to dimension "Y."



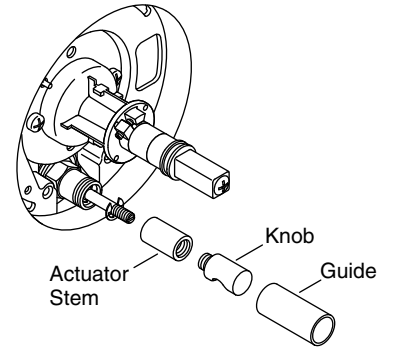
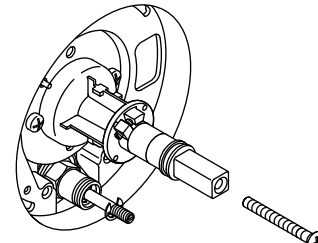
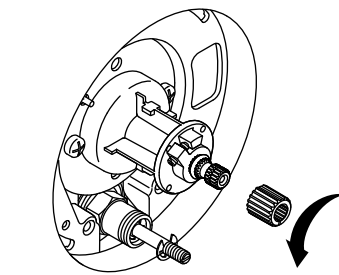
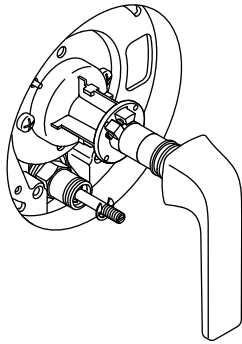
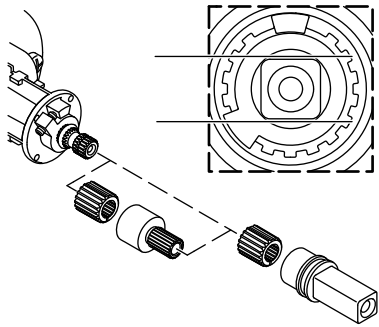
4 Install the correct parts according to "Y." Verify level.

5 Dry fit the handle to confirm vertical alignment.

6 To adjust handle position, rotate the adapter one tooth. Repeat until aligned.

7 Install the correct screw according to dimension "Y."

8 Hold the diverter stem and install the actuator stem. Thread the knob onto the actuator stem. Thread the guide onto the diverter housing.



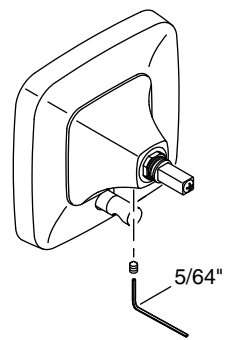
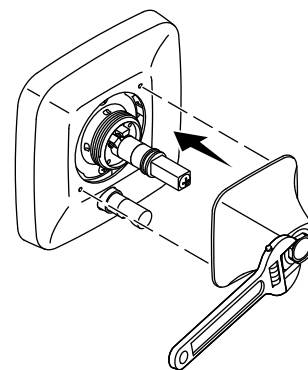
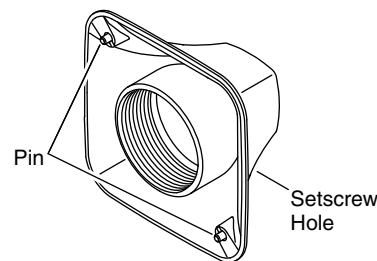
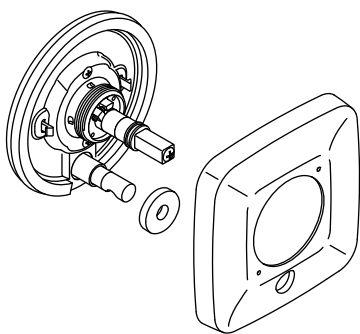
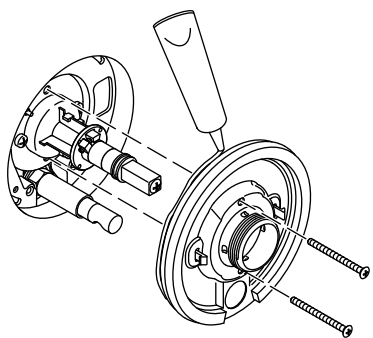
9 For installation to a tiled wall, apply 100% silicone sealant to the back edge of the seal plate. Slide the seal plate onto the valve and secure. Do not overtighten.

10 Install the foam gasket over the guide and fit the faceplate over the seal plate.

11 Align the pins with the holes on the faceplate. Orient setscrew hole down.

12 Thread the bonnet onto the valve. Securely tighten.

13 Tighten the setscrew.



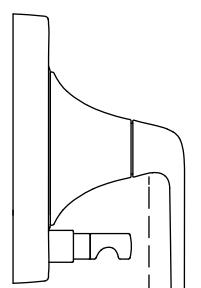
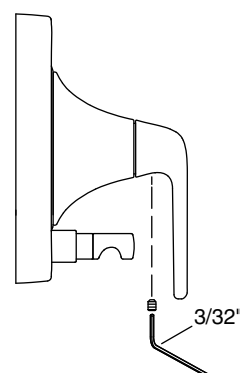
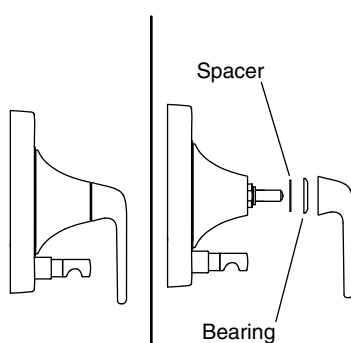
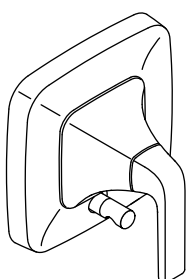
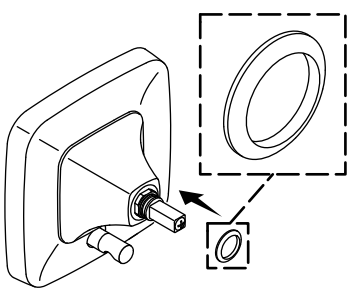
14 Position the bearing on the bonnet, curved side out.

15 Point the handle down and slide onto the stem.

16 If the handle contacts the bonnet, remove the bearing and install a spacer. Reinstall the bearing.

17 Secure the handle with the setscrew.

18 Install the plug in the setscrew hole.



FIVE-YEAR LIMITED WARRANTY

All Kallista products carry Kallista's five-year limited warranty unless otherwise noted.*

Kallista products are warranted to be free of defects in material and workmanship for five years from the date of installation.

Kallista will, at its election, repair, replace or make appropriate adjustment where Kallista inspection discloses any such defects occurring in normal usage within five (5) years after installation.

Kallista is not responsible for removal or installation costs.

Damages due to improper handling, installation or maintenance are not considered manufacturing defects and are not covered by this warranty. This warranty is valid for the original consumer purchaser only.

To obtain warranty service, contact your Kallista Authorized Showroom.

Products must be maintained and cleaned in accordance with the care and cleaning instructions provided by Kallista. Improper care or cleaning, including damage from the use of abrasive chemicals, will void this warranty. Gloss reduction, scratching, staining and alkaline etching of finishes over time due to use, cleaning practices or water or atmospheric conditions, are not manufacturing defects but are indicative of normal wear and tear. Use of in-tank toilet cleaners will void the warranty.

Implied warranties including that of merchantability and fitness for a particular purpose are expressly limited in duration to the duration of this warranty. Kallista and/or seller disclaims any liability for special, incidental, or consequential damages.

Some states/provinces do not allow limitations on how long an implied warranty lasts, or the exclusion or limitation of special, incidental or consequential damages, so these limitations and exclusions may not apply to you. This warranty gives you specific legal rights. You may also have other rights which vary from state/province to state/province.

This is Kallista's exclusive written warranty.

* Kallista's Hampstead and Stafford vitreous products, stainless steel accessories, and wooden accessories carry a one-year Limited Warranty.

Questions? Problems? For additional assistance, please contact KALLISTA's Customer Service Department at 1-888-4-KALLISTA (1-888-452-5547) or kallista.com.