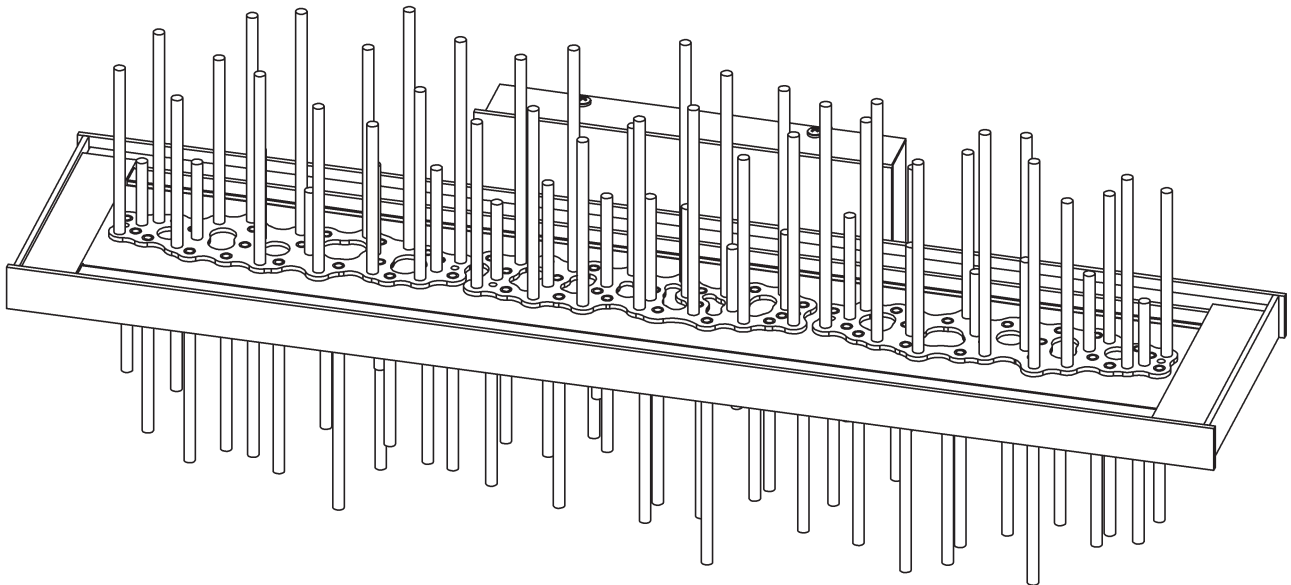


ASSEMBLY & INSTALLATION INSTRUCTIONS

Gossamer Sconce 207917

B451



Component Parts

- A Fixture**
- B Mounting Bracket**
- C Anchors (4)**
- D #10 Screws (4)**
- E Ground Screw**
- F Cupped Washer**
- G #8 Screws (4)**
- H Safety Cable**
- I Safety Cable Screw**
- J Accent 1**
- K Accent 2 (2)**



ASSEMBLY & INSTALLATION INSTRUCTIONS

B451

Gossamer Sconce 207917

CAUTION: FAILURE TO INSTALL THIS FIXTURE PROPERLY MAY RESULT IN SERIOUS PERSONAL INJURY OR DEATH AND PROPERTY DAMAGE. We recommend installation by a licensed electrician. This product must be installed in accordance with applicable installation code(s), by a person familiar with the construction and operation of the product and the hazards involved.*

Caution: Do not exceed maximum wattage noted on fixture. Use only recommended bulbs with fixture.

Please Note: After installation extra hardware and accessories are possible; our kits are used on multiple products.

To Install Fixture (Figures 1 thru 3)

CAUTION: BE SURE POWER IS OFF AT THE MAIN BREAKER BOX PRIOR TO INSTALLATION.

1. Carefully unpack fixture (A) from the carton.
2. Remove mounting bracket (B) from fixture (A).
3. Place mounting bracket (B) over the electrical box being sure to hold it level. Line up holes in mounting bracket with holes in electrical box. With a pencil, mark the location of all mounting holes in the mounting bracket on the wall behind. Set bracket aside.
4. Drill 1/4" holes in the locations marked on the wall. Place the tapered end of the anchors (C) into the holes and gently tap them flush to the wall using a light weight hammer.
5. Thread the wires in the electrical box through the hole in the mounting bracket (B) while moving the bracket into position. Using (2) #8 machine screws (not provided), attach the crossbar securely to the junction box.
Note: A new electric box comes with screws. When replacing an existing fixture, retain screws for use with the new fixture
6. Using #10 screws (D), screw the bracket (B) securely to the wall. Be careful not to over-tighten or strip the anchors (C)
7. Raise fixture (A) close to wall and attach safety cable (H) using safety cable screw (I) that is shipped in the kit bag.

NOTE: Safety cable is used to temporarily suspend fixture while wiring connections are made

8. Attach a pigtail lead to the mounting bracket (B) using the ground screw (E) and cupped washer (F) found in kit bag.
9. Hold fixture (A) close to wall. Using suitable wire connectors (not provided), connect fixture wires to supply wires (white to white and black to black). Connect all ground wires (bare copper or green to bare copper or green).

CAUTION: MAKE SURE WIRE CONNECTORS ARE TWISTED ON SECURELY, AND NO BARE WIRE IS EXPOSED.

10. Place fixture (A) over mounting bracket (B). Secure with #8 screws (G) on top and bottom of fixture.

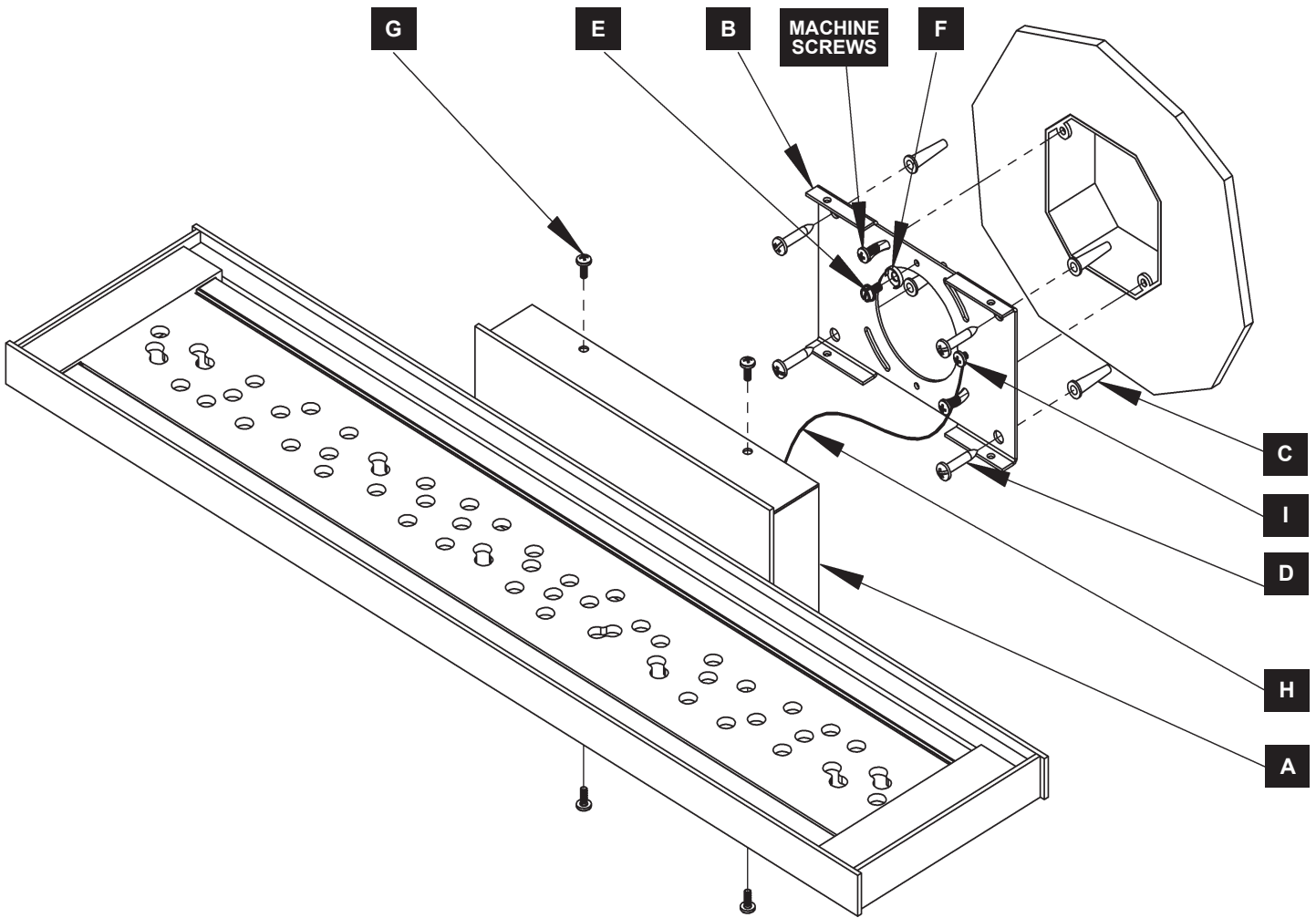
NOTE: Be sure no wires are pinched between fixture and wall.

11. Locate accent pieces. The fixture comes with one of accent 1 (J) and two of accent 2 (K). (Figure 2)
12. Place accent 2 (K) and accent 1 (J) into appropriate holes in acrylic. (Figure 2) Note the location of the circle cutout on accent 2 (K) to help orientation.
13. Restore electricity at main breaker.

ASSEMBLY & INSTALLATION INSTRUCTIONS

Gossamer Sconce 207917

B451



(Figure 1)

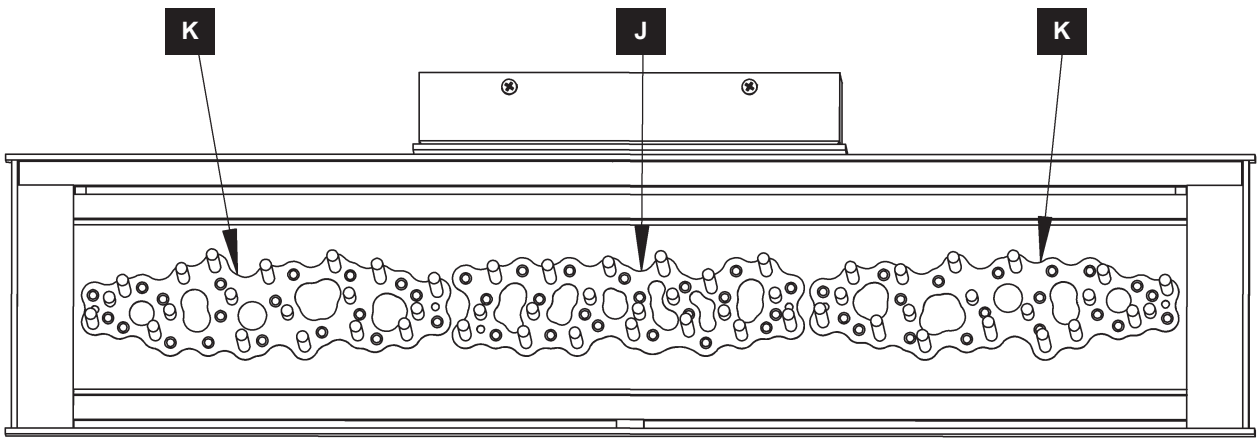
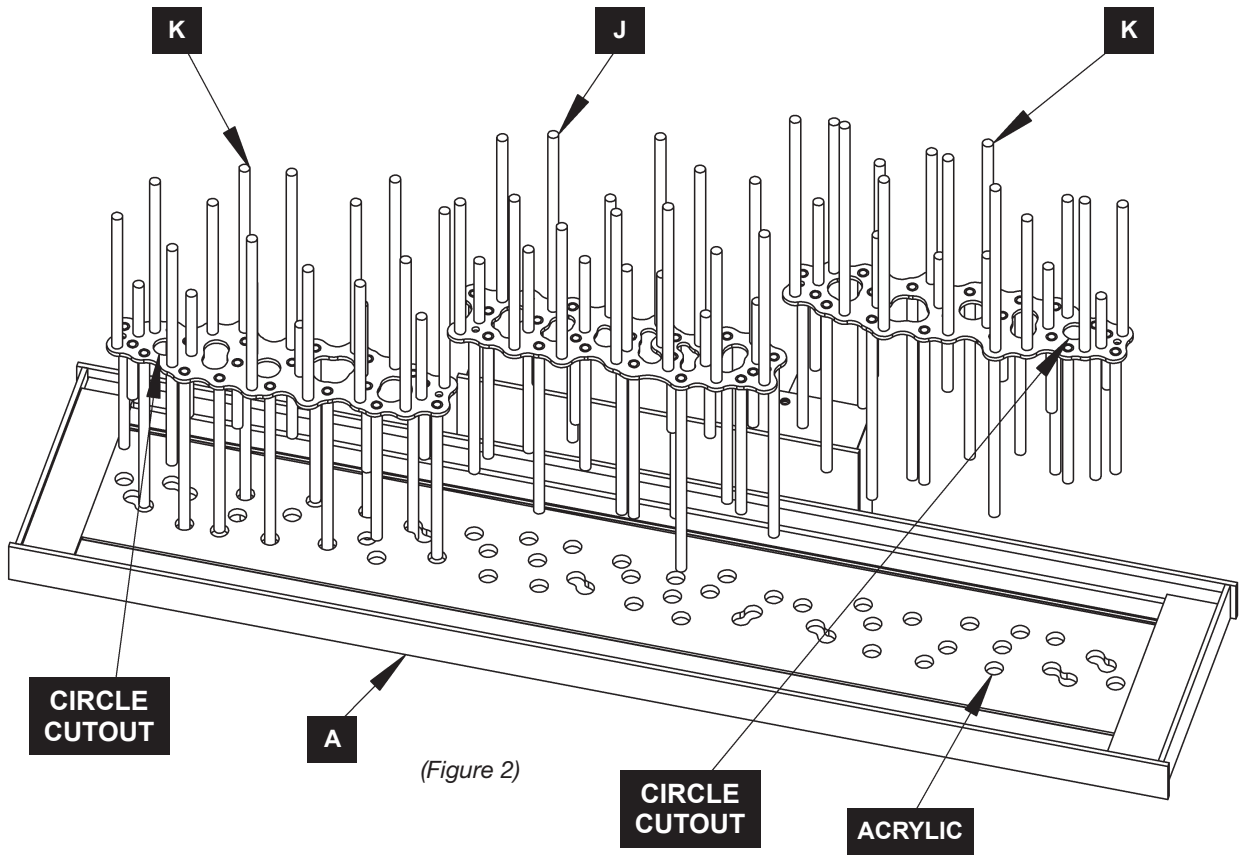


HUBBARDTON FORGE.

ASSEMBLY & INSTALLATION INSTRUCTIONS

B451

Gossamer Sconce 207917



If you need further assistance, or find that you are missing any parts, please contact the dealer from which you purchased this product. We hope you enjoy your fixture!

*** Hubbardton Forge will not be liable for injury or damage caused by improper installation, lamping or use of this fixture.**