

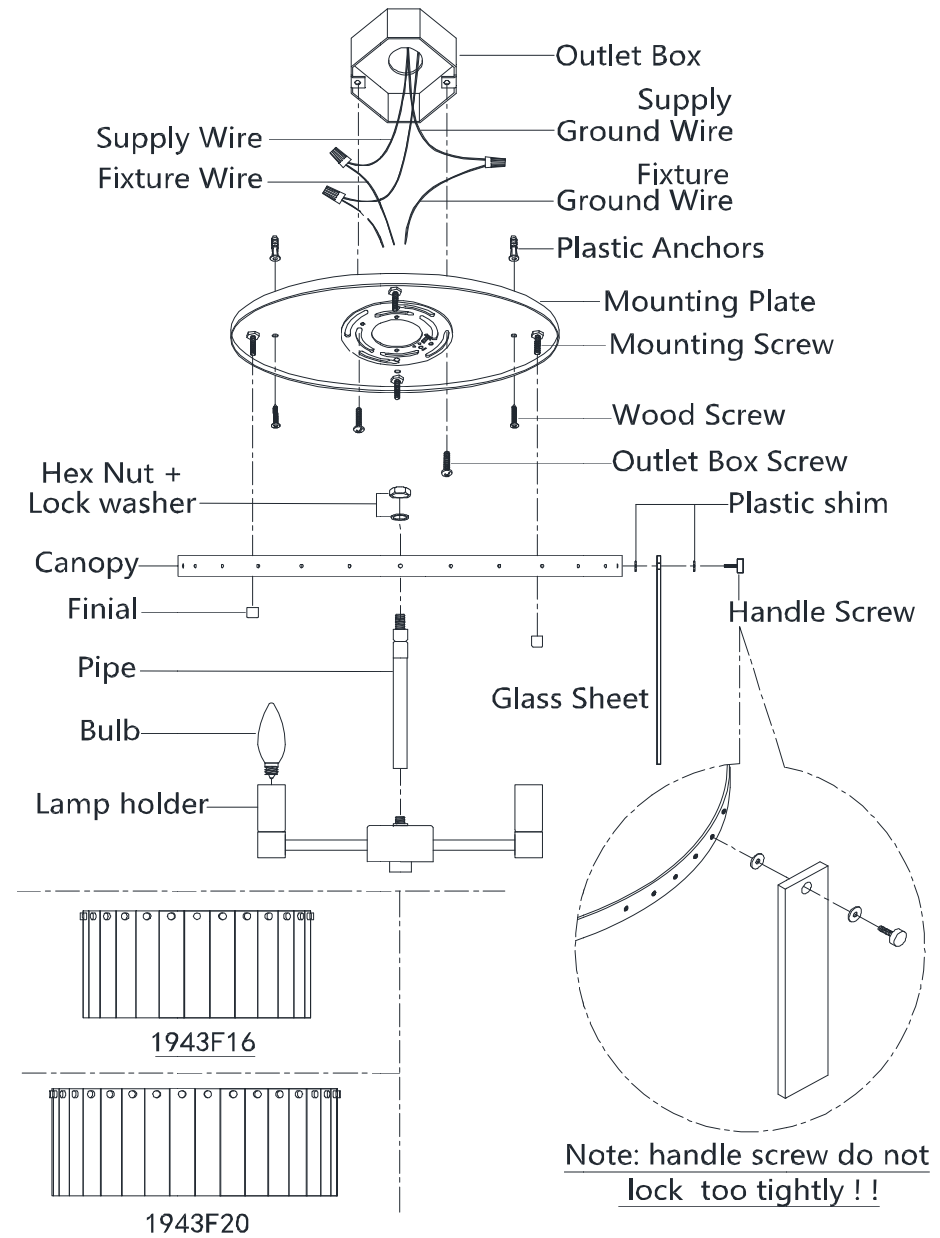
ASSEMBLY AND INSTALLATION INSTRUCTION

WARNING: SHUT POWER OFF AT FUSE OR CIRCUIT BREAKER!

NOTE: BEFORE INSTALLING, CONSULT LOCAL ELECTRICAL CODES FOR WIRING AND GROUNDING REQUIREMENT.

Installation Steps:

1. Shut off the power at the circuit breaker box. Remove old fixture and all hardware from Outlet Box.
2. Carefully unpack your new fixture and lay out all the parts on a clear area. Take care not to lose any small parts necessary for installation.
3. Hold the Mounting Plate up against ceiling Outlet Box, aligning the Outlet Box two threaded holes, use a pencil to mark the Wood Screw holes, remove the Mounting Plate, then drilled holes and loaded Plastic Anchors. Attach the Mounting Plate to the Outlet Box with the Outlet Box Screws and Wood Screws as shown. The side of the Mounting Plate marked "GND" must face to out.
4. Feed the wires from Lamp Holder and through Pipe, connect the Pipe to the threaded nipple from Lamp Holder. Raise the Canopy onto top center threaded nipple of the Pipe, lock it securely with the Hex Nut and Lock Washer.
5. Take this lamp body assembly to ceiling Outlet Box, connect the electrical wires.
6. **NOTE: make wires connections:**
 - **Attach fixture ground wire to supply ground wire using a wire nut or attach them to the mounting plate with a green ground screw.**
 - **Attach fixture white wire from lamp body to supply white wire or ridge wire from power source with a wire nut.**
 - **Attach fixture black wire from lamp body to supply black wire or smooth wire from power source with a wire nut.**
 - **Observing: positive wire with positive wire, negative wire with negative wire, ground wire with ground wire.**
7. Make sure all wire connectors are secured and do not easily pull off with the slight tug. After wires are connected, tuck them carefully inside the Outlet Box. Raise the canopy on to the Outlet Box, aligning screws on Mounting Plate with mounting holes in Canopy and lock it securely with the Finials.
8. Install the light bulbs (Not included) in accordance with the fixture's specifications. **NOTE: DO NOT EXCEED THE MAXIMUM WATTAGE RATING!**
9. Raise the Glass Sheet to canopy side and use Handle Screw to secure Glass Sheet as well as Plastic Shim onto Canopy. **Note: handle screws do not lock too tightly! !**
10. Your installation is now complete. Return power to the outlet box and test the lamp body.



MIN 90°C SUPPLY CONDUCTORS
 LES FILS D'ALIMENTATION DOIVENT ETRE D'UNE DISSIPATION DE 90°C MINIMUM
 LOS CONDUCTORES DEL SUMINISTRO DEBEN SOPORTAR UN MINIMO DE 90°C