

For Irrigation System Applications

Job Name _____
 Job Location _____
 Engineer _____
 Approval _____

Contractor _____
 Approval _____
 Contractor's P.O. No. _____
 Representative _____

Series TWS

Key Operated Wall Hydrants for irrigation system winterization

Sizes: 3/4" - 1" (20 - 25mm)

Series TWS Key Operated Wall Hydrants have been specifically designed to provide outside access to a building water supply for start-up, winterizing, and servicing of irrigation sprinkler systems. The TWS is located outside of the home reducing the time spent on service calls. There is no need to locate the inside shutoff valve or the drain connection. Deploying the TWS wall hydrant enables the irrigation contractor to winterize an irrigation system at anytime thereby protecting the contractors' warranty and the homeowners' investment.

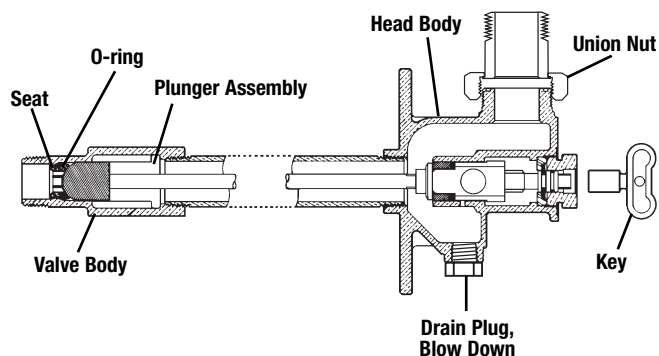
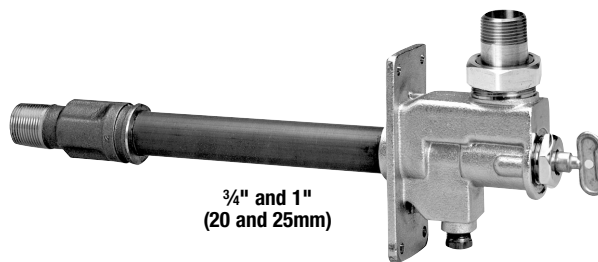
When used in conjunction with the Watts Series 800 Pressure Vacuum Breaker or either a Series 009 or 909 Reduced Pressure Zone Backflow Preventer, the installing contractor provides affordable freeze protection for both the irrigation system and the backflow preventer.

Features

- Eliminates delays and multiple visits to gain interior access to irrigation equipment
- Standardizes location of supply shutoff valve and drain connection
- Access available anytime for winterizing
- Durable bronze valve body and shaft
- One piece valve plunger
- Tamper resistant key operated hydrant
- Exterior chrome finish
- Resilient seated shutoff
- Union connection for ease of installation of backflow preventer
- Manual drain port

Specifications

A drainable freezeless wall hydrant shall be installed outside as shown, to provide a means of shutting off the flow of water to the irrigation system for winterizing the system and the backflow preventer. The valve body and shaft shall be of copper or brass construction with a one piece valve plunger to control both flow and drain functions. The hydrant shall be designed to include a drain plug for winterization of the irrigation system and backflow preventer. The hydrant shall be tamper resistant and shall be key operated. The hydrant shall be 3/4" or 1" (20 or 25mm) size and of the proper length for the installation and shall be a Watts Regulator Company Series TWS.



3/4"-1" (20 - 25mm)

MODEL	DISTANCE (DM)		PIPE LENGTH		STEM LENGTH	
	<i>in.</i>	<i>mm</i>	<i>in.</i>	<i>mm</i>	<i>in.</i>	<i>mm</i>
TWS-8	8	200	9	229	12 ⁵ / ₁₆	313
TWS-10	10	250	11	279	14 ⁵ / ₁₆	364
TWS-12	12	300	13	330	16 ⁵ / ₁₆	389



Watts product specifications in U.S. customary units and metric are approximate and are provided for reference only. For precise measurements, please contact Watts Technical Service. Watts reserves the right to change or modify product design, construction, specifications, or materials without prior notice and without incurring any obligation to make such changes and modifications on Watts products previously or subsequently sold.

Materials

- Chrome plated bronze valve head.
- Brass shaft with threaded end.
- Resilient seated shutoff.

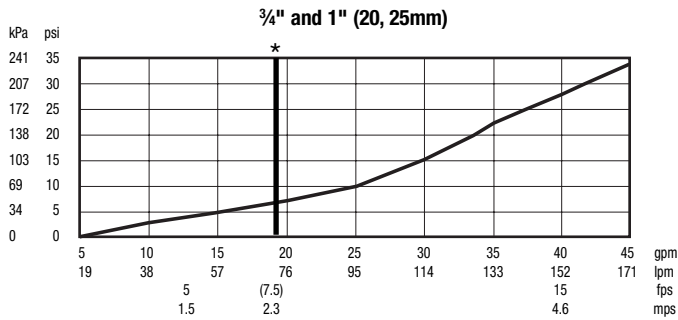
Pressure - Temperature

Temperature Range: 33°F - 140°F (0.5°C - 60°C) continuous,
180°F (82°C) intermittent

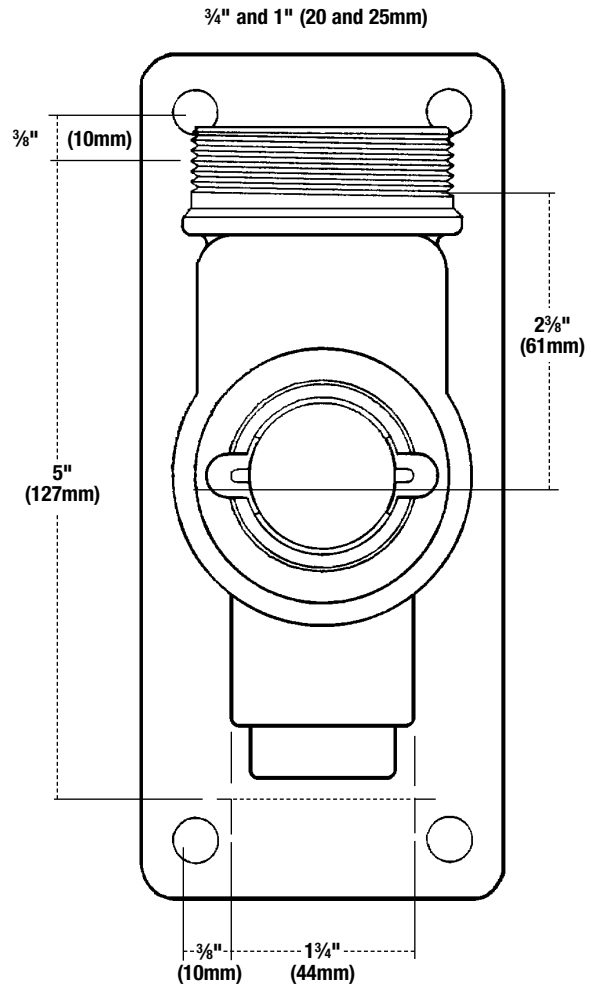
Maximum Working Pressure: 175psi (12.06 bar)

Capacity

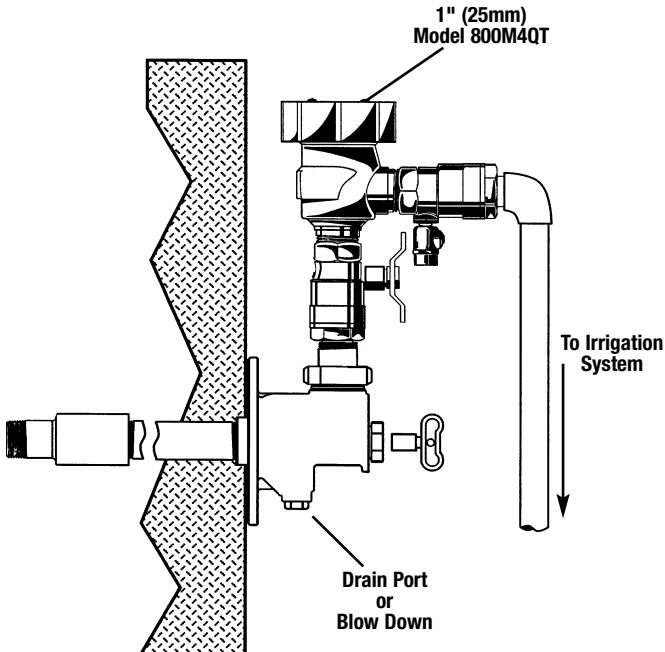
*Typical maximum system flow rate (7.5 feet/second)



Dimensions



Typical Installation



WATTS®

Backflow Prevention Products

ES-TWS 0633

ISO 9001
CERTIFIED

USA: 815 Chestnut St., No. Andover, MA 01845-6098; www.watts.com
Canada: 5435 North Service Rd., Burlington, ONT. L7L 5H7; www.wattscanada.ca
© Watts Regulator Company, 2006