

Engineering Specification

Job Name _____

Contractor _____

Job Location _____

Approval _____

Engineer _____

Contractor's P.O. No. _____

Approval _____

Representative _____

Tag _____

CO-1190-PR Cast Iron Adjustable Floor Cleanout with Integrated Level



Specification

Watts Pronto!® CO-1190-PR epoxy coated cast iron floor cleanout with anchor flange, primary and secondary weepholes, post-pour adjustable round stainless steel cover with integrated bubble level, leveling shims, and no hub (standard) outlet.

Pipe Sizing		
Suffix	Description	
2	2"(51) Pipe Size	<input type="checkbox"/>
3	3"(76) Pipe Size	<input type="checkbox"/>
4	4"(102) Pipe Size	<input type="checkbox"/>

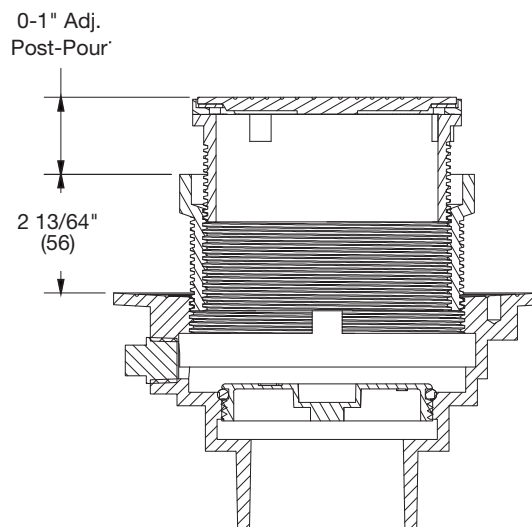
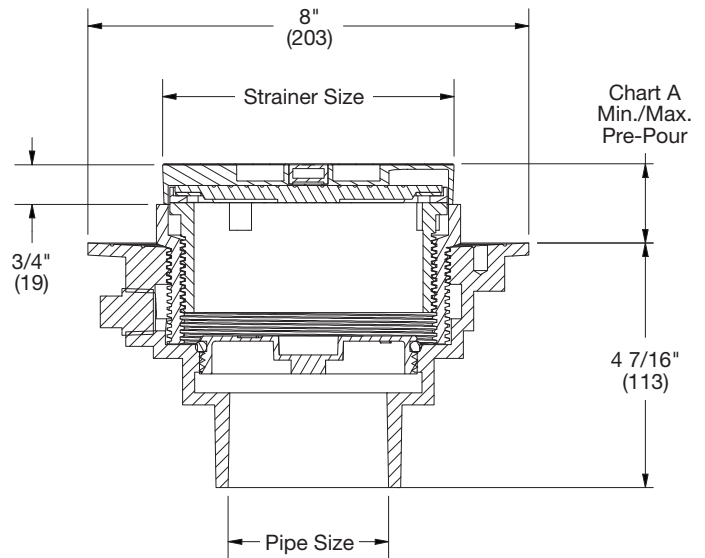
Chart A				
Cover Size	Min.	Max.	Load Rating	
5"(127)	1 7/16"	2 15/16"	MD	
6"(152)	1 7/16"	2 15/16"	LD	

Outlet Type		
Suffix	Description	
P	Push On	<input type="checkbox"/>

Chart B			
Pipe Size	Std. No Hub	P Push On	
2"(51)	4 7/16"(113)	4 7/8"(124)	
3"(76)	4 7/16"(113)	4 7/8"(124)	
4"(102)	4 7/16"(113)	4 7/8"(124)	

Cover		
Suffix	Description	
PR5	5"(127) Dia., Stainless Steel	<input type="checkbox"/>
PR6	6"(152) Dia., Stainless Steel	<input type="checkbox"/>

Options		
Suffix	Description	
-C	SS Membrane Clamp	<input type="checkbox"/>
-6	Vandal Proof	<input type="checkbox"/>



Please refer to watts.com for BAA information on specific models.

NOTICE

The information contained herein is not intended to replace the full product installation and safety information available or the experience of a trained product installer. You are required to thoroughly read all installation instructions and product safety information before beginning the installation of this product.

Watts product specifications in U.S. customary units and metric are approximate and are provided for reference only. For precise measurements, please contact Watts Technical Service. Watts reserves the right to change or modify product design, construction, specifications, or materials without prior notice and without incurring any obligation to make such changes and modifications on Watts products previously or subsequently sold.



USA: T: (800) 338-2581 • F: (828) 248-3929 • Watts.com
Canada: T: (888) 208-8927 • F: (888) 479-2887 • Watts.ca
Latin America: T: (52) 55-4122-0138 • Watts.com