

# Engineering Specification

Job Name \_\_\_\_\_  
 Job Location \_\_\_\_\_  
 Engineer \_\_\_\_\_  
 Approval \_\_\_\_\_  
 Tag \_\_\_\_\_

Contractor \_\_\_\_\_  
 Approval \_\_\_\_\_  
 Contractor's P.O. No. \_\_\_\_\_  
 Representative \_\_\_\_\_

## CO-300-MF Extra Heavy Duty Access Housing

### Specification

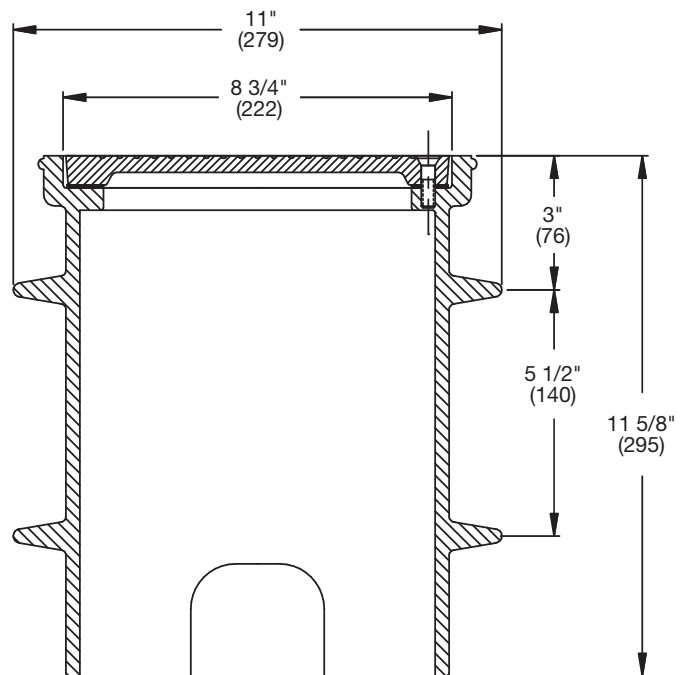
Watts CO-300-MF epoxy coated cast iron housing with anchor flanges and extra heavy duty ductile iron cover.



Options		
Suffix	Description	
-1	Nickel Bronze Cover	<input type="checkbox"/>
-6	Vandal Proof	<input type="checkbox"/>
-13	All Galvanized	<input type="checkbox"/>

Load Rating
*XHD

\* The load classifications are in accordance with the American National Standards ASME A112.21.1M ASME Ratings are as follows:  
 MD - Safe Live Load 7500-10000 lbs.(3375-4500 kg)  
 The above categories are given as a guide only.  
 Please consult factory.



### NOTICE

The information contained herein is not intended to replace the full product installation and safety information available or the experience of a trained product installer. You are required to thoroughly read all installation instructions and product safety information before beginning the installation of this product.

Watts product specifications in U.S. customary units and metric are approximate and are provided for reference only. For precise measurements, please contact Watts Technical Service. Watts reserves the right to change or modify product design, construction, specifications, or materials without prior notice and without incurring any obligation to make such changes and modifications on Watts products previously or subsequently sold.

