

Schedule 40



Model 600
Model 620
Model 661

Model 600/601

Stoppers, Knobs, and Bodies determined by tub closure selected

Model 620/621

ABS Plastic Stopper, Plastic Knob, Brass Body, Chrome PP only

Model 661/651

ABS Plastic Stopper, Plastic Knob, Zinc Body, Chrome PP only

Sturdy 1.5" Schedule 40 PVC or ABS Solvent-Weld Assembly

SPECIFICATIONS

FEATURES:

- 1.25" deep metal strainer body
- Theft-resistant stopper
- Designed for heavy-duty use in hotels, motels, and rental property
- Replaceable, drip-proof Buna-N-Seal

APPROVALS (600/601 models):

- Manufactured in compliance with ASME A112.18.2-2005/CSA B125.2-2005

PATENTS:

- www.watcomfg.com/patents

THREADS (Strainer Body and Drain Elbow):

- 1 1/2" – 1 1/2" NPSM (Coarse Thread)
- 1.865" Major Diameter (outside thread diameter)
- 11.5 threads per inch

PIPING: PVC ABS

Not Shown: Half Kits (No Tee or Pipe)

Model 601: Stoppers, Knobs, Strainer Bodies determined by type of tub closure, i.e., Lift and Turn, etc.

Model 621-PP: ABS Stopper, Plastic Knob, Brass Strainer Body, Chrome PP only

Model 651-PP: ABS Stopper, Plastic Knob, Zinc Strainer Body, Chrome PP only



2-HOLE OPTION -2H

Add to end of part number.



ADA

PRESFLO® (PF) and Foot Actuated (FA) only

See price list for complete item numbers and available options.

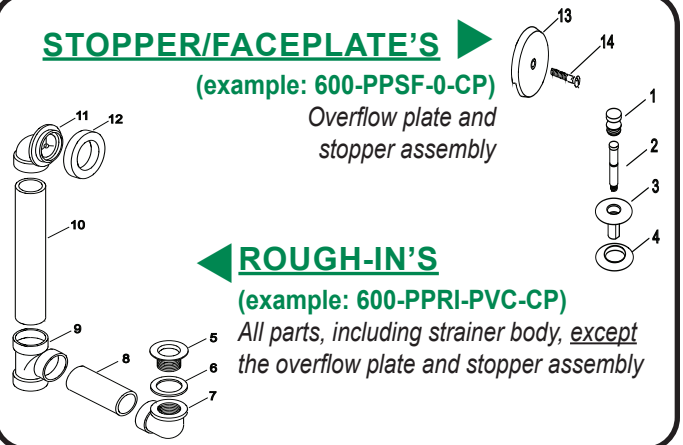
When ordering, please specify complete item number and any applicable option codes.

ROUGH-IN (RI's) and STOPPER/FACEPLATE (SF's)

STOPPER/FACEPLATE'S

(example: 600-PPSF-0-CP)

Overflow plate and stopper assembly



ROUGH-IN'S

(example: 600-PPRI-PVC-CP)

All parts, including strainer body, except the overflow plate and stopper assembly

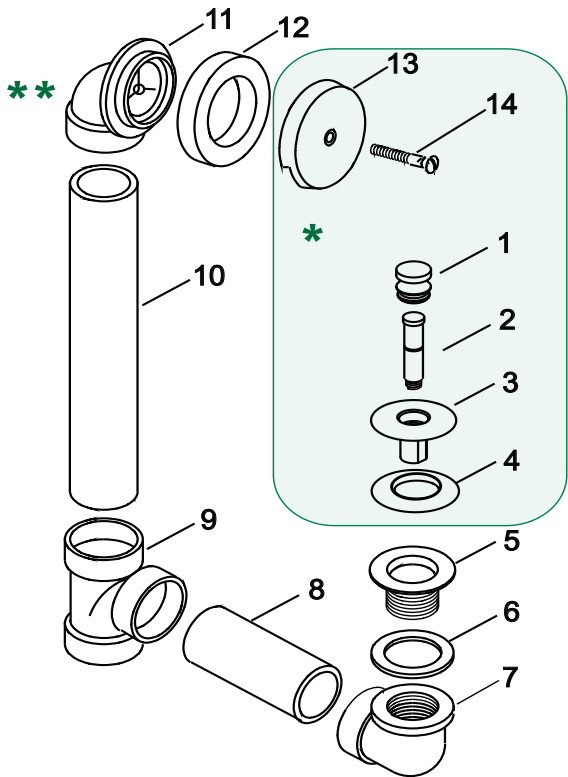
WATCO



For More Information Contact:
WATCO Manufacturing Company
1220 South Powell Road
Independence, MO 64057-2724
Ph. 816-796-3900 • FAX 816-796-0875
www.watcomfg.com

Always a step ahead

600/601 Series Parts List



| Item | Part # | Description |
|------|---------|--|
| 1 | 01010CP | PUSH PULL® Knob, Brass |
| 2 | 11584 | Friction Ring (11505) and Post (11532) |
| 3 | 01013CP | Stopper, Brass |
| 4 | 11507 | Seal, 1 1/16" dia. |
| 5 | 01016CP | Strainer Body, 1.865" - 11.5 |
| 6 | 10696 | Drain Ell Washer, 1.5" gray |
| 7 | 11008 | Drain Ell, Schedule 40, ABS |
| | 14008 | Drain Ell, Schedule 40, PVC |
| 8 | 11605 | Pipe, Schedule 40, ABS, 1.5" x 4.625" |
| | 11606 | Pipe, Schedule 40, PVC, 1.5" x 4.625" |
| 9 | 14011 | Sanitary Tee, Schedule 40, ABS |
| | 14010 | Sanitary Tee, Schedule 40, PVC |
| 10 | 11605 | Pipe, Schedule 40 ABS, 1.5" x 11.75" |
| | 11606 | Pipe, Schedule 40 PVC, 1.5" x 11.75" |
| 11 | 11009 | Overflow Ell, 1-Hole, Schedule 40, ABS |
| | 14009 | Overflow Ell, 1-Hole, Schedule 40, PVC |
| 12 | 10675 | Overflow Ell Washer, Foam |
| 13 | 01002CP | Overflow Plate, 1-Hole |
| | 01003CP | Overflow Plate, 2-Hole |
| 14 | 01024CP | Overflow Plate Screw, 2.25" |

Half Kits consist of parts 1-7 and 11-14.

* SF: (example: 600-PPSF) Parts #1 thru #4, #13 and #14

** RI: (example: 600-PPRI) Parts #5 thru #12

OPTIONAL TUB CLOSURES FOR 600/601-SERIES BATH WASTES (PUSH PULL® ALSO SHOWN ABOVE)

| PUSH PULL® Coarse Thread | | LIFT & TURN Coarse Thread | | PRESFLO® Coarse Thread | | FOOT ACTUATED Coarse Thread | |
|-----------------------------|--------------------|------------------------------|--------------------|---------------------------|--|--------------------------------|----------------------|
| 1. | 01010CP 01010_* | 1. | 01010CP 01010_* | 1. | 11145CP 11145_* | 1. | 38412-CP 38412-_* |
| 2. | 11584 | 2. | 11079 | 2. | 11132 | 2. | 11492-CP 01016-_* |
| 3. | 01013CP 01013_* | 3. | 11088 | 3. | 11060CP 11060_* | | |
| 4. | 11507 | 4. | 11290CP 01013_* | 4. | 96039: Suction Cup for removing stopper | | |
| 5. | 01016CP 01016_* | 5. | 11507 | | | | |
| | | 6. | 11492CP 01016_* | | | | |

*If finish other than Chrome is desired, please use this part number and indicate desired finish.

Finishes Available in the 600/601 Series:

Rough-In Dimensions

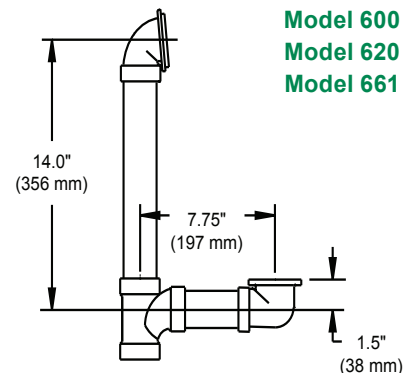
621 PUSH PULL®

- 11309CP
- 11584
- 11290CP
- 11507
- 01016CP

651 PUSH PULL®

- 11309CP
- 11584
- 11290CP
- 11507
- 11492CP

| Tub Closures: | PUSH PULL® | LIFT & TURN | PRESFLO® | FOOT ACT. |
|-----------------------|------------|-------------|----------|-----------|
| CP- Chrome Plated | • | • | • | • |
| AP- Aged Pewter | • | • | • | • |
| BB- Brushed Bronze | • | • | • | • |
| BN- Brushed Nickel | • | • | • | • |
| BO- Bone | • | • | • | • |
| BS- Biscuit | • | • | • | • |
| BZ- Oil-Rubbed Bronze | • | • | • | • |
| CB- Chrome Brushed | • | • | • | • |
| NP- Nickel Polished | • | • | • | • |
| PB- Polished Brass | • | • | • | • |
| WH- White | • | • | • | • |
| WI- Wrought Iron | • | • | • | • |



Model 600
Model 620
Model 661