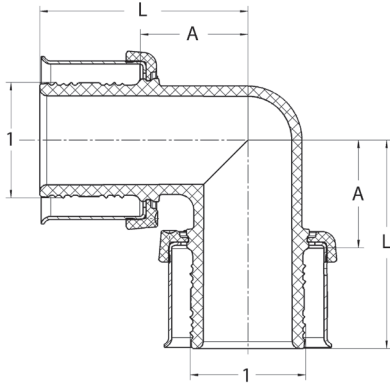


Dimensional Documentation

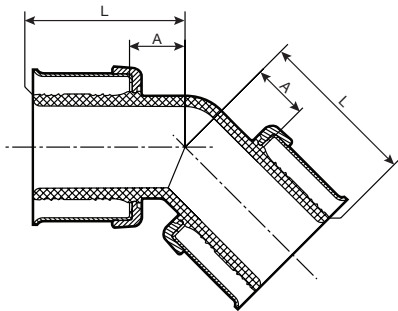


Viega PureFlow® Press Polymer Fittings

PureFlow Press 90° Elbow Zero Lead Polymer - Model V5616



Part No	Size	A (in)	L (in)
	1		
49210	3/8"	0.51	1.11
49220	1/2"	0.51	1.11
49240	3/4"	0.68	1.271
49260	1"	0.77	1.52
49270	1 1/4"	0.98	2.08
49280	1 1/2"	1.09	2.19
49290	2"	1.65	2.72



PureFlow Press 45° Elbow Zero Lead Polymer - Model V5626

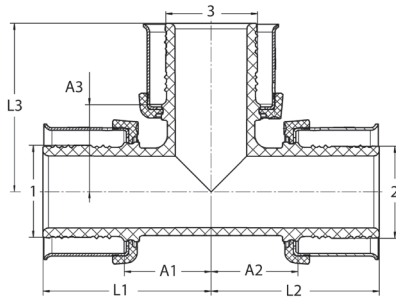
Part No	Size	A (in)	L (in)
	1		
49285	1 1/2"	0.66	1.75
49286	2"	0.96	2.03

Dimensional Documentation

viega



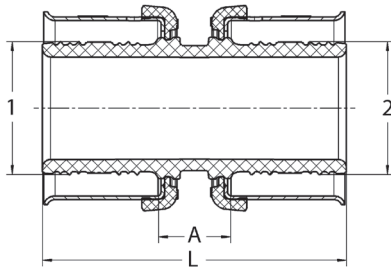
PureFlow Press Tee Zero Lead Polymer - Model V5618



Part No	Size			A1 (in)	A2 (in)	A3 (in)	L1 (in)	L2 (in)	L3 (in)
	1	2	3						
49200	3/8"			0.51	0.51	0.51	1.11	1.11	1.11
49322	1/2" x 3/8" x 3/8"			0.49	0.44	0.54	1.09	1.04	1.13
49332	1/2" x 1/2" x 3/8"			0.49	0.49	0.54	1.09	1.09	1.13
49520	1/2"			0.51	0.51	0.51	1.11	1.11	1.11
49334	1/2" x 1/2" x 3/4"			0.67	0.67	0.60	1.26	1.26	1.19
49433	3/4" x 1/2" x 1/2"			0.59	0.49	0.69	1.18	1.09	1.28
49443	3/4" x 3/4" x 1/2"			0.59	0.59	0.69	1.18	1.18	1.28
49434	3/4" x 1/2" x 3/4"			0.71	0.71	0.71	1.30	1.30	1.30
49540	3/4"			0.71	0.71	0.71	1.30	1.30	1.30
49533	1" x 1/2" x 1/2"			0.59	0.49	0.74	1.34	1.09	1.34
49543	1" x 3/4" x 1/2"			0.60	0.59	0.74	1.35	1.18	1.34
49544	1" x 3/4" x 3/4"			0.71	0.65	0.85	1.47	1.25	1.44
49535	1" x 1/2" x 1"			0.81	0.79	0.81	1.56	1.36	1.56
49545	1" x 3/4" x 1"			0.84	0.77	0.84	1.59	1.37	1.59
49553	1" x 1" x 1/2"			0.58	0.58	0.74	1.34	1.34	1.34
49554	1" x 1" x 3/4"			0.71	0.71	0.84	1.47	1.47	1.44
49560	1"			0.71	0.71	0.71	1.47	1.47	1.47
49754	1 1/4" x 1" x 3/4"			0.73	0.67	0.93	1.82	1.42	1.53
49755	1 1/4" x 1" x 1"			0.84	0.78	0.91	1.94	1.53	1.66
49774	1 1/4" x 1 1/4" x 3/4"			0.73	0.73	0.93	1.82	1.82	1.53
49775	1 1/4" x 1 1/4" x 1"			0.84	0.84	0.91	1.94	1.94	1.66
49570	1 1/4"			0.98	0.98	0.98	2.07	2.07	2.07
49854	1 1/2" x 1" x 3/4"			0.72	0.79	1.03	1.82	1.54	1.63
49855	1 1/2" x 1" x 1"			0.85	0.91	1.03	1.94	1.67	1.78
49874	1 1/2" x 1 1/4" x 3/4"			0.77	0.77	1.04	1.82	1.82	1.63
49875	1 1/2" x 1 1/4" x 1"			0.90	0.90	1.06	1.94	1.94	1.79
49877	1 1/2" x 1 1/4" x 1 1/4"			1.02	1.02	1.11	2.06	2.06	2.16
49884	1 1/2" x 1 1/2" x 3/4"			0.72	0.72	1.03	1.82	1.82	1.60
49885	1 1/2" x 1 1/2" x 1"			0.85	0.85	1.04	1.94	1.94	1.78
49887	1 1/2" x 1 1/2" x 1 1/4"			0.97	0.97	1.07	2.06	2.06	2.15
49580	1 1/2"			1.09	1.09	1.09	2.18	2.18	2.18
49984	2" x 1 1/2" x 3/4"			1.07	1.10	1.42	2.14	2.15	1.99
49985	2" x 1 1/2" x 1"			1.07	1.10	1.41	2.14	2.15	2.15
49987	2" x 1 1/2" x 1 1/4"			1.25	1.10	1.50	2.33	2.15	2.50
49988	2" x 1 1/2" x 1 1/2"			1.25	1.21	1.46	2.33	2.26	2.50
49994	2" x 2" x 3/4"			0.98	0.98	1.50	2.06	2.06	2.05
49995	2" x 2" x 1"			1.10	1.10	1.53	2.17	2.17	2.26
49997	2" x 2" x 1 1/4"			1.25	1.25	1.50	2.33	2.33	2.54
49998	2" x 2" x 1 1/2"			1.37	1.37	1.46	2.45	2.45	2.50
49590	2"			1.65	1.65	1.65	2.72	2.72	2.72

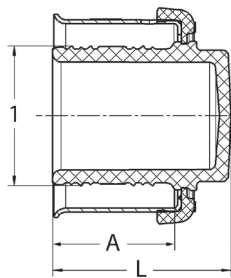
Dimensional Documentation

viega



PureFlow Press Coupling Zero Lead Polymer - Model V5615

Part No	Size		A (in)	L (in)
	1	2		
49402		3/8"	0.47	1.66
49342		1/2" x 3/8"	0.42	1.61
49403		1/2"	0.47	1.66
49404		3/4"	0.47	1.66
49343		3/4" x 1/2"	0.43	1.62
49354		1" x 3/4"	0.47	1.82
49405		1"	0.47	1.98
49347		1 1/4" x 3/4"	0.65	2.34
49357		1 1/4" x 1"	0.48	2.33
49407		1 1/4"	0.51	2.69
49348		1 1/2" x 3/4"	0.69	2.37
49358		1 1/2" x 1"	0.62	2.47
49378		1 1/2" x 1 1/4"	0.50	2.69
49408		1 1/2"	0.51	2.69
49398		2" x 1 1/2"	1.05	3.16
49409		2"	1.02	3.16

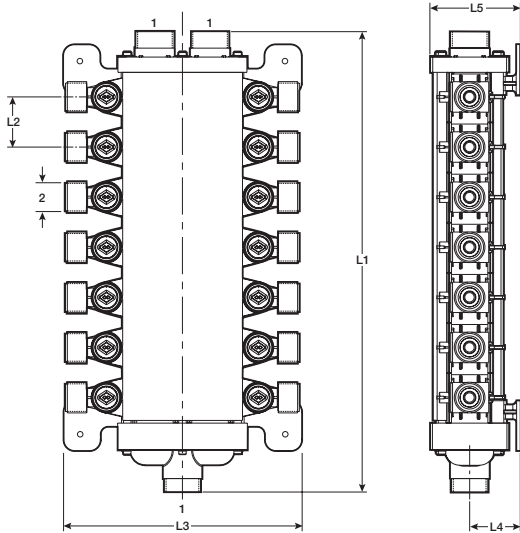


PureFlow Press Test Plug Zero Lead Polymer - Model V5656

Part No	Size		A (in)	L (in)
	1			
49722		3/8"	0.60	0.95
49723		1/2"	0.60	0.95
49744		3/4"	0.60	0.95
49765		1"	0.75	1.10
49770		1 1/4"	1.10	1.46
49780		1 1/2"	1.10	1.46
49790		2"	1.07	1.93

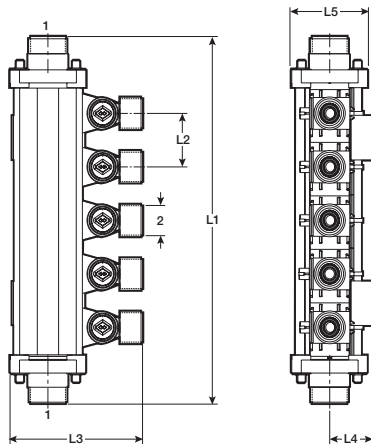
Dimensional Documentation

viega



ManaBloc Distribution Manifold Zero Lead Press - Model V5630

Part Number	Size		Ports	L1	L2	L3	L4	L5
	1	2						
49143	1" x 5/8" NPSM	14	15.44"	1.68"	8.00"	1.70"	3.00"	
49183	1" x 5/8" NPSM	18	18.80"	1.68"	8.00"	1.70"	3.00"	
49243	1" x 5/8" NPSM	24	23.78"	1.68"	8.00"	1.70"	3.00"	
49303	1" x 5/8" NPSM	30	28.88"	1.68"	8.00"	1.70"	3.00"	
49363	1" x 5/8" NPSM	36	33.92"	1.68"	8.00"	1.70"	3.00"	



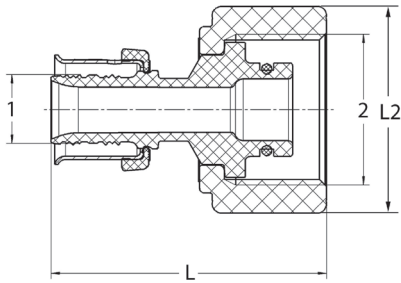
MiniBloc Zoning Manifold Zero Lead Press - Models V5650, V5660

Part Number	Size		Ports	L1	L2	L3	L4	L5
	1	2						
49033	1" x 5/8" NPSM	3	8.19"	1.68"	4.37"	1.42"	4.75"	
49043	1" x 5/8" NPSM	4	9.87"	1.68"	4.37"	1.42"	4.75"	
49453*	1" x 5/8" NPSM	5	11.55"	1.68"	4.37"	1.42"	4.75"	
49063	1" x 5/8" NPSM	6	13.23"	1.68"	4.37"	1.42"	4.75"	
49473*	1" x 5/8" NPSM	7	14.91"	1.68"	4.37"	1.42"	4.75"	
49083	1" x 5/8" NPSM	8	16.59"	1.68"	4.37"	1.42"	4.75"	
49410*	1" x 5/8" NPSM	10	19.95"	1.68"	4.37"	1.42"	4.75"	

*Manifold incorporates hot and cold ports.

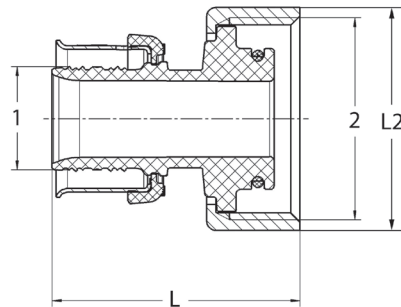
Dimensional Documentation

viega



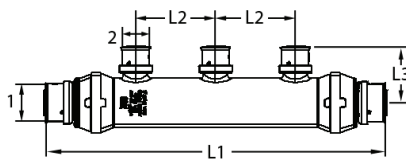
PureFlow Press Port Adapter Zero Lead Polymer P x Port - Model V5613.1

Part No	Size		L (in)	L2 (in)
	1	2		
49234	1/2" x 1/2" Port		1.89	1.40
49224	3/8" x 1/2" Port		1.89	1.40



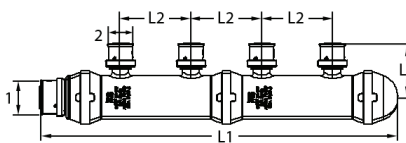
PureFlow Press Supply Adapter Zero Lead Polymer for ManaBloc P x Supply - Model V5613.2

Part No	Size		L (in)	L2 (in)
	1	2		
49414	3/4" x 1" MANABLOC		1.59	1.45
49416	1" x 1" MANABLOC		1.75	1.45



PureFlow Press Manifold Zero Lead Polymer Flow Through - Model V5636

Part No	Size		L1 (in)	L2 (in)	L3 (in)
	1	2			
49152	3/4" x 1/2" (2 outlets)		6.58	2.00	1.42
49153	3/4" x 1/2" (3 outlets)		8.58	2.00	1.42
49054	3/4" x 1/2" (4 outlets)		10.58	2.00	1.42
49254	1" x 3/4" x 1/2" (4 outlets)		10.72	2.00	1.42
49256	1" x 1/2" (6 outlets)		14.85	2.00	1.42
49258	1" x 1/2" (8 outlets)		18.85	2.00	1.42

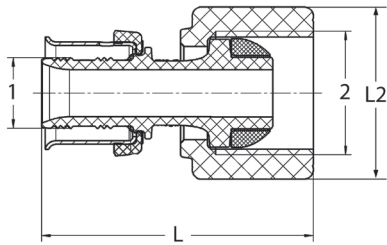


PureFlow Press Manifold Zero Lead Polymer Closed - Model V5636.1

Part No	Size		L1 (in)	L2 (in)	L3 (in)
	1	2			
49004	3/4" x 1/2" (4 outlets)		10.14	2.00	1.42
49206	1" x 1/2" (6 outlets)		14.27	2.00	1.42

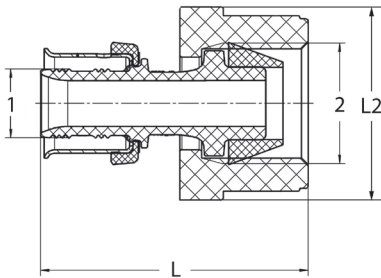
Dimensional Documentation

viega



PureFlow Press Lav Adapter Zero Lead Polymer P x Lav - Model V5613.3

Part No	Size	L (in)	L2 (in)
	1 2		
49324	3/8" x 1/2" Lav	1.82	1.15
49333	1/2" x 1/2" Lav	1.82	1.15
49344	3/4" x 3/4" Lav	1.78	1.15

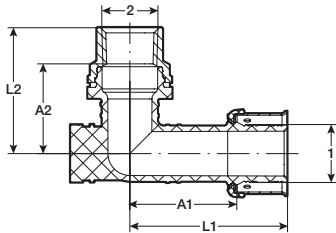


PureFlow Press Closet Adapter Zero Lead Polymer P x Closet - Model V5613.4

Part No	Size	L (in)	L2 (in)
	1 2		
49223	3/8" x 1/2" Closet	1.84	1.3
49233	1/2" x 1/2" Closet	1.84	1.3

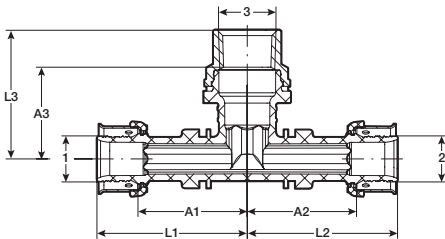
Dimensional Documentation

viega



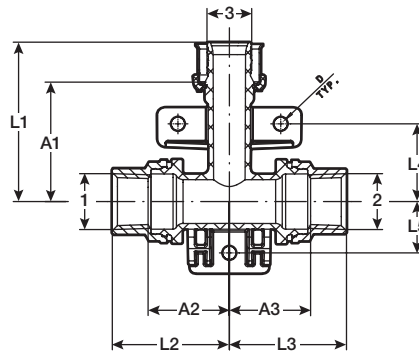
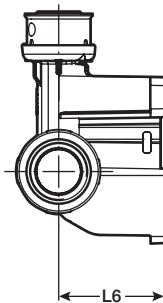
PureFlow Press 90° Elbow Zero Lead Polymer for Fire Sprinkler Systems P x FPT - Model V5645ZL

Part No	Size		A1 (in)	A2 (in)	L1 (in)	L2 (in)
	1	2				
49135	3/4"	1/2" FPT	1.59	1.33	2.19	1.87
49145	1"	1/2" FPT	1.59	1.33	2.34	1.87



PureFlow Press Tee Zero Lead Polymer for Fire Sprinkler Systems P x P x FPT - Model V5642ZL

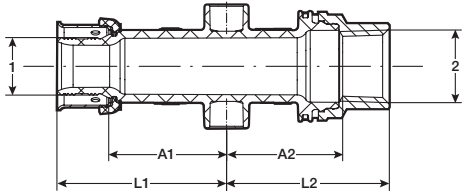
Part No	Size			A1 (in)	A2 (in)	A3 (in)	L1 (in)	L2 (in)	L3 (in)
	1	2	3						
49120	3/4"	3/4"	1/2" FPT	1.59	1.59	1.33	2.19	2.19	1.87
49130	1"	3/4"	1/2" FPT	1.59	1.59	1.33	2.34	2.19	1.87
49140	1"	1"	1/2" FPT	1.59	1.59	1.33	2.34	2.34	1.87



PureFlow Press Wall Tee Zero Lead Polymer for Fire Sprinkler Systems FPT x FPT x P - Model V5641ZL

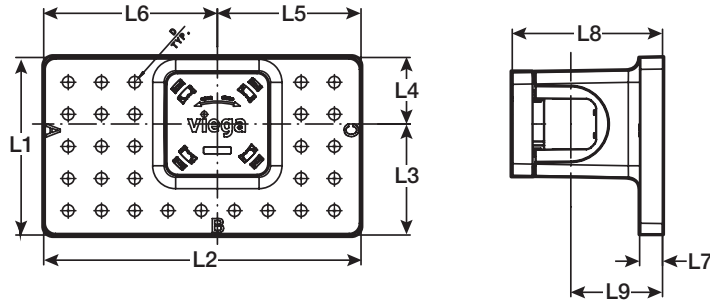
Part No	Size			A1 (in)	A2 (in)	A3 (in)	L1 (in)	L2 (in)	L3 (in)	L4 (in)	L5 (in)	L6 (in)	D (in)
	1	2	3										
49100	1/2"	1/2"	3/4"	1.79	1.21	1.21	2.38	1.75	1.75	1.16	0.77	1.57	0.20
49110	1/2"	1/2"	1"	1.79	1.21	1.21	2.54	1.75	1.75	1.16	0.77	1.57	0.20

Dimensional Documentation



PureFlow Press Adapter Zero Lead Polymer for Fire Sprinkler Systems P x FPT - Model V5644ZL

Part No	Size	A1 (in)	A2 (in)	L1 (in)	L2 (in)
	1 2				
49132	3/4" x 1/2" FPT	1.35	1.33	1.95	1.87



PureFlow Press Replacement Bracket, Plastic, for Fire Sprinkler Systems - Model V5643ZL

Part No	L1 (in)	L2 (in)	L3 (in)	L4 (in)	L5 (in)	L6 (in)	L7 (in)	L8 (in)	L9 (in)	D (in)
49150	3.05	5.44	1.91	1.14	2.46	2.98	0.39	2.58	1.57	0.20

Viega products are designed to be installed by licensed and trained plumbing and mechanical professionals who are familiar with our products' proper use and installation. **Installation by non-professionals may void Viega LLC's warranty.**

This document is subject to updates. For the most current Viega technical literature please visit www.viega.us.

Viega LLC • 585 Interlocken Blvd. • Broomfield, CO 80021 • Phone (800) 976-9819 • www.viega.us