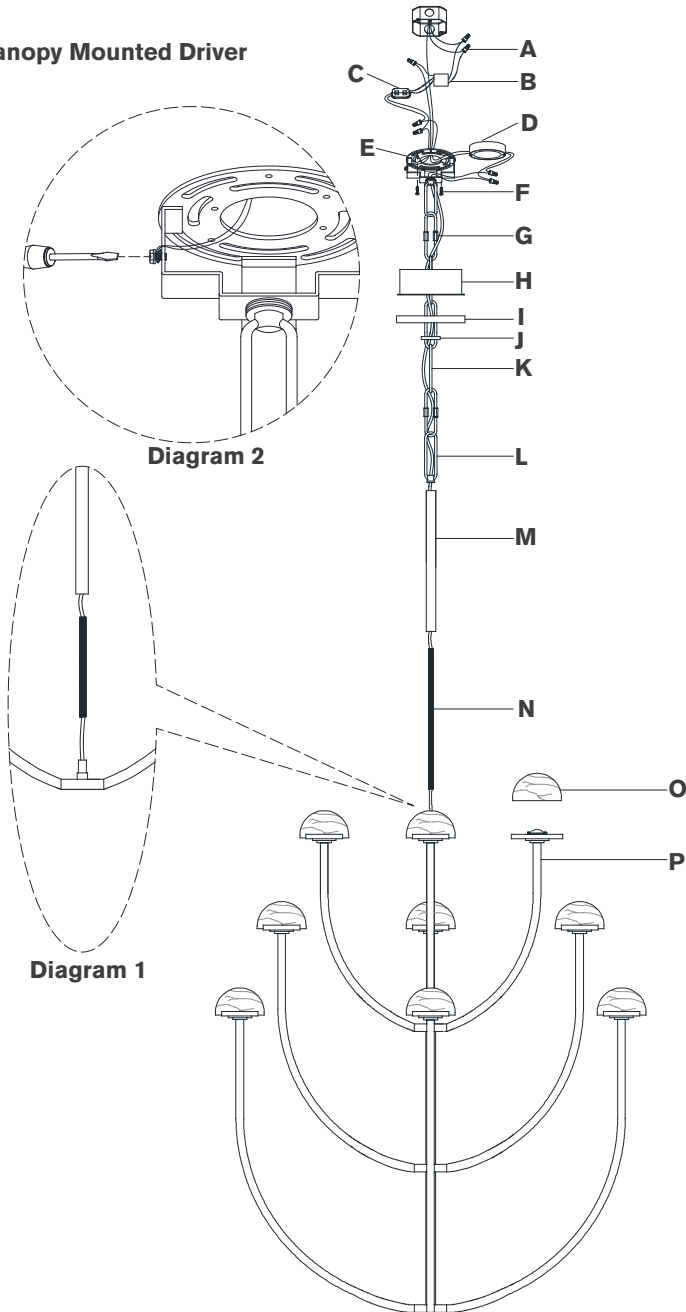


ASSEMBLY INSTRUCTIONS

Option 1: Canopy Mounted Driver



Pedra X-Large Three-Tier Chandelier

Item # KW 5622

NOTICE:

This light fixture should be installed in accordance with all applicable, local installation codes, and by a person familiar with the construction and operation of it, as well as the hazards involved. Inspect item and contents carefully. If any damage or defect is found, do not install. Retain all packaging material until installation is complete and approved.

TOOLS REQUIRED (NOT INCLUDED):

Phillips Screwdriver	Slotted Screwdriver	Chain Pliers
Slip Joint Pliers	Measuring Tape	Wire Cutters
Wire Strippers		

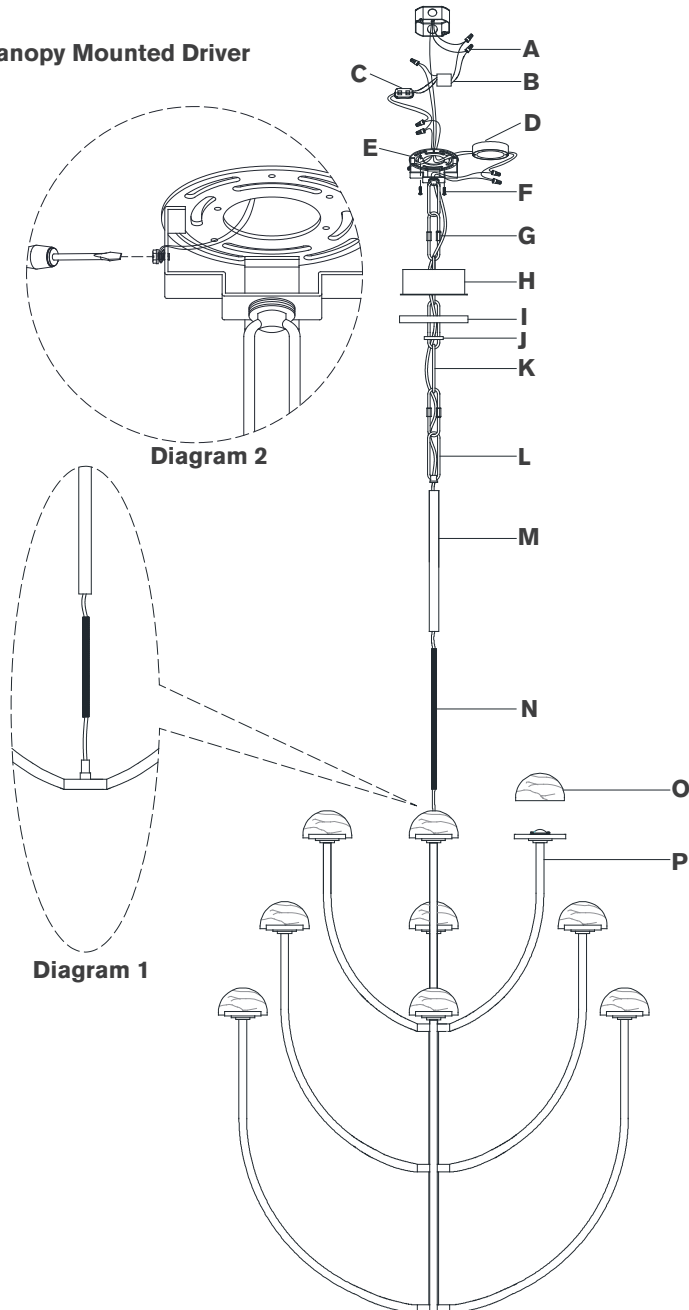
1. Carefully remove all parts from the box. Place on a clean, soft surface.
2. Remove tall mounting plate **(E)** from driver housing **(H)** and canopy **(I)** by removing collar ring **(J)**.
3. Install tall mounting plate **(E)** to the junction box and secure with mounting screws **(F)**.
4. Install driver housing **(H)** and canopy **(I)** to tall mounting plate **(E)** and secure with collar ring **(J)**.
5. Determine desired overall length, and amount of chain **(K)** needed. Shorten chain using chain pliers. (Keep extra chain)
6. Install threaded nipple **(N)** & tube **(M)** to fixture **(P)** and secure using fixture loop **(L)**. (See diagram 1)
7. Attach chain **(K)** to collar loop and to fixture loop **(L)** using quick links **(G)**. Secure quick links **(G)**.
8. Thread fixture wire and ground wire through chain **(K)**.
NOTE: When you reach tall mounting plate **(E)**, ensure there is no tension on the wires. Cut excess wires, being sure to leave about **12"** to reach the junction box.
9. Separate two sides of molded wire, and strip insulation on each 5/8".
10. Loosen collar ring **(J)** and let driver housing **(H)** and canopy **(I)** slip down chain **(K)** carefully.
11. Twist all fixture wires together and slip through mounting plate **(E)**.
NOTE: Untwist wires and separate to prepare for connection.

VISUAL COMFORT



ASSEMBLY INSTRUCTIONS

Option 1: Canopy Mounted Driver



Pedra X-Large Three-Tier Chandelier

Item # KW 5622

NOTICE:

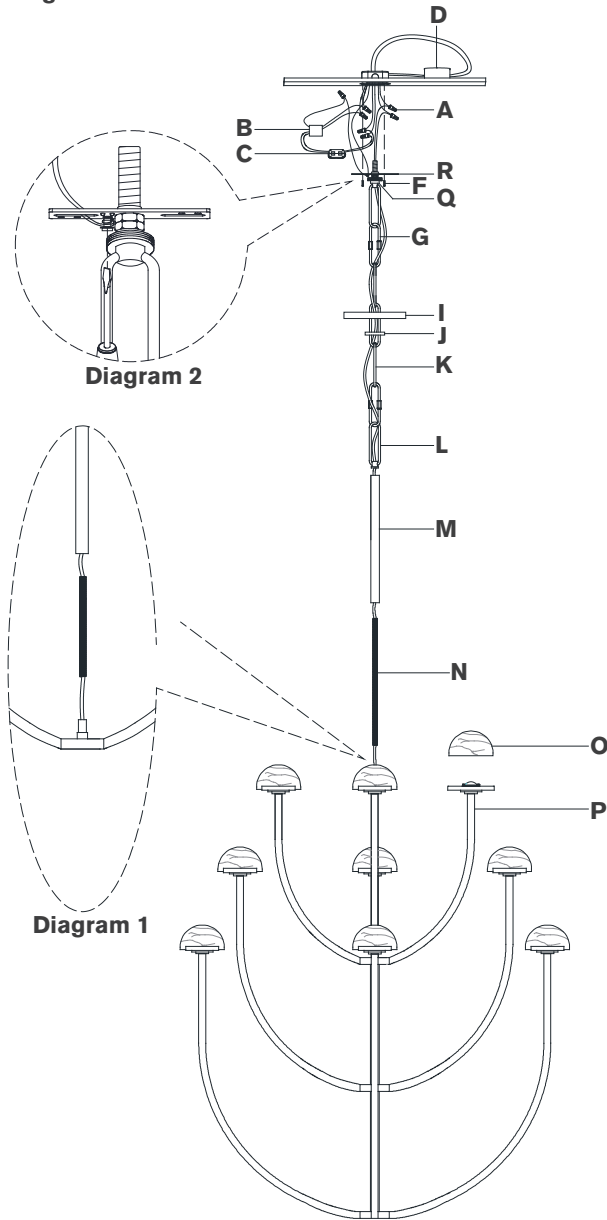
This light fixture should be installed in accordance with all applicable, local installation codes, and by a person familiar with the construction and operation of it, as well as the hazards involved. Inspect item and contents carefully. If any damage or defect is found, do not install. Retain all packaging material until installation is complete and approved.

12. Connect fixture neutral wire (ribbed) to the driver (D) output neutral wire (black) using wire nut (A).
13. Connect fixture hot wire (smooth with markings) to the driver (D) output hot wire (red) using wire nut (A).
14. Connect magnet ring wire (C) neutral wire (white) to the driver (D) input neutral wire (white) using wire nut (A).
15. Connect magnet ring wire (C) hot wire (black) to the driver (D) input hot wire (black) using wire nut (A).
16. Wrap supply ground wire (green) around the green grounding screw (see diagram 2). Tighten. Continue supply ground wire and connect to filter (B) ground wire (usually green or bare copper) using wire nut (A).
- NOTE:** It is imperative that the fixture is grounded.
17. Connect filter (B) neutral wire (white) to the supply neutral wire (usually white) using wire nut (A).
18. Connect filter (B) hot wire (black) to the supply hot wire (usually black) using wire nut (A).
- CAUTION:** Do not reverse the hot and neutral connections.
19. Make sure all wire connections are tight, then carefully tuck into the junction box.
20. Insert driver (D) into mounting plate (E) bracket.
21. Install driver housing (H), canopy (I) to mounting plate (E) and secure with collar ring (J).
22. Thread alabaster shades (O) to fixture (P).

Care Instructions: Clean only with a soft dry cloth or feather duster. Do Not use abrasive or chemical agents.

ASSEMBLY INSTRUCTIONS

Option 2: Ceiling Mounted Driver



Pedra X-Large Three-Tier Chandelier

Item # KW 5622

NOTICE:

This light fixture should be installed in accordance with all applicable, local installation codes, and by a person familiar with the construction and operation of it, as well as the hazards involved. Inspect item and contents carefully. If any damage or defect is found, do not install. Retain all packaging material until installation is complete and approved.

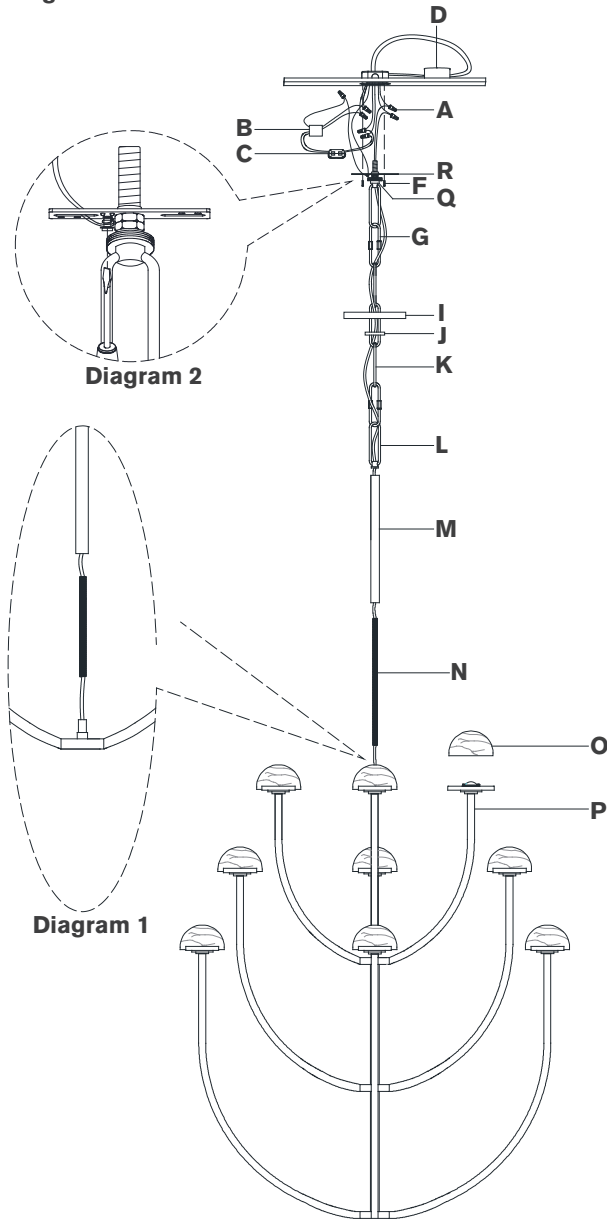
TOOLS REQUIRED (NOT INCLUDED):

Phillips Screwdriver	Slotted Screwdriver	Chain Pliers
Slip Joint Pliers	Measuring Tape	Wire Cutters
Wire Strippers		

1. Carefully remove all parts from the box. Place on a clean, soft surface.
2. Place driver **(D)** into ceiling and route all wires through one of the knockouts in the junction box.
3. Remove tall mounting plate **(E)** from driver housing **(H)** and canopy **(I)** by removing collar ring **(J)**.
4. Install short mounting plate **(R)** to the junction box and secure with mounting screws **(F)**.
5. Secure collar loop **(Q)** to short mounting plate **(E)** using pliers to tighten locknut.
6. Install canopy **(I)** to short mounting plate **(E)** and secure with collar ring **(J)**.
7. Determine desired overall length, and amount of chain **(K)** needed. Shorten chain using chain pliers. (Keep extra chain)
8. Install threaded nipple **(N)** & tube **(M)** to fixture **(P)** and secure using fixture loop **(L)**. (See diagram 1)
9. Attach chain **(K)** to collar loop **(Q)** and to fixture loop **(L)** using quick links **(G)**. Secure quick links **(G)**.
10. Thread fixture wire and ground wire through chain **(K)**.
NOTE: When you reach mounting plate **(E)**, ensure there is no tension on the wires. Cut excess wires, being sure to leave about **12"** to reach the junction box.
11. Separate two sides of molded wire, and strip insulation on each 5/8".

ASSEMBLY INSTRUCTIONS

Option 2: Ceiling Mounted Driver



Pedra X-Large Three-Tier Chandelier

Item # KW 5622

NOTICE:

This light fixture should be installed in accordance with all applicable, local installation codes, and by a person familiar with the construction and operation of it, as well as the hazards involved. Inspect item and contents carefully. If any damage or defect is found, do not install. Retain all packaging material until installation is complete and approved.

- Loosen collar ring **(J)** and canopy **(I)** slip down chain **(K)** carefully.
- Twist all fixture wires together and slip through mounting plate **(E)**.
NOTE: Untwist wires and separate to prepare for connection.
- Connect fixture neutral wire (ribbed) to the driver **(D)** output neutral wire (black) using wire nut **(A)**.
- Connect fixture hot wire (smooth with markings) to the driver **(D)** output hot wire (red) using wire nut **(A)**.
- Connect magnet ring wire **(C)** neutral wire (white) to the driver **(D)** input neutral wire (white) using wire nut **(A)**.
- Connect magnet ring wire **(C)** hot wire (black) to the driver **(D)** input hot wire (black) using wire nut **(A)**.
- Wrap supply ground wire (green) around the green grounding screw (see diagram 2). Tighten. Continue supply ground wire and connect to filter **(B)** ground wire (usually green or bare copper) using wire nut **(A)**.
NOTE: It is imperative that the fixture is grounded.
- Connect filter **(B)** neutral wire (white) to the supply neutral wire (usually white) using wire nut **(A)**.
- Connect filter **(B)** hot wire (black) to the supply hot wire (usually black) using wire nut **(A)**.
CAUTION: Do not reverse the hot and neutral connections.
- Make sure all wire connections are tight, then carefully tuck into the junction box.
- Install canopy **(I)** to mounting plate **(E)** and secure with collar ring **(J)**.
- Thread alabaster shades **(O)** to fixture **(P)**.

Care Instructions: Clean only with a soft dry cloth or feather duster. Do Not use abrasive or chemical agents.