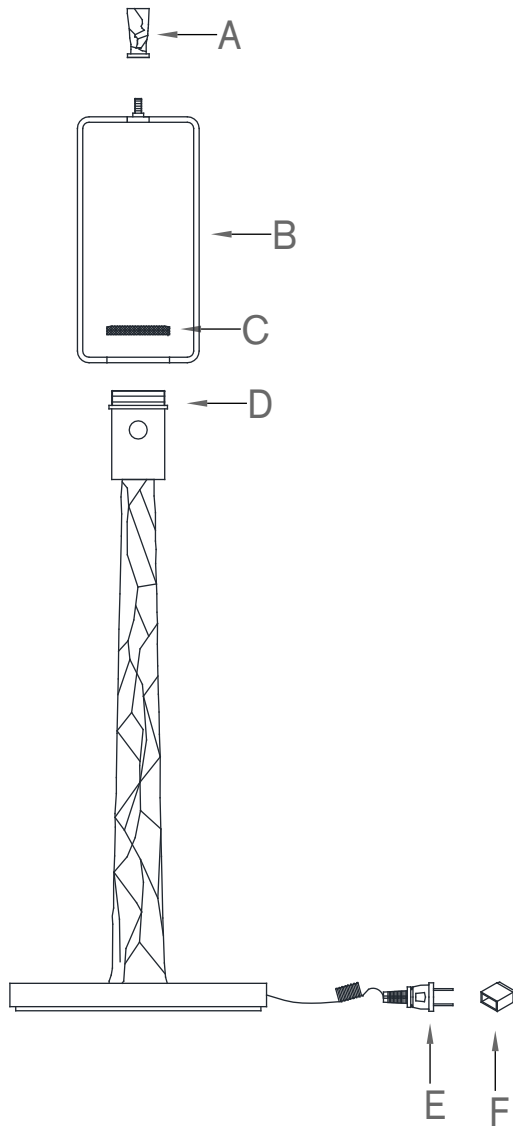


ASSEMBLY INSTRUCTIONS



Lyric Branch Table Lamp Item # BBL3035

INSPECT ITEM CAREFULLY BEFORE ATTEMPTING TO INSTALL. IF THERE IS ANY DAMAGE OR OBVIOUS DEFECT, DO NOT INSTALL.

ITEM MAY NOT BE RETURNED ONCE IT HAS BEEN INSTALLED.

1. Carefully remove all parts from the carton.
2. Remove socket ring (C) from socket (D).
3. Place the harp (B) onto the threaded section of socket (D) and secure with socket ring (C).
4. Remove finial (A) from harp (B), place lamp shade (packed separately) onto the top of harp (B) and secure with socket ring (A).
5. Insert the specified light bulb into socket.
6. Remove plastic cover (F) from electrical plug (E).
7. Plug lamp into wall outlet.

***Clean with a dry, soft cloth only. Use no harsh abrasives or chemical agents.