



T&S BRASS AND BRONZE WORKS, INC.

2 Saddleback Cove / P.O. Box 1088
Travelers Rest, SC 29690

Model No.

HG-2-SK Series

Item No.

Travelers Rest, SC: 800-476-4103 • Simi Valley, CA: 800-423-0150 • Fax: 864-834-3518 • www.tsbrass.com

This Space for Architect/Engineer Approval

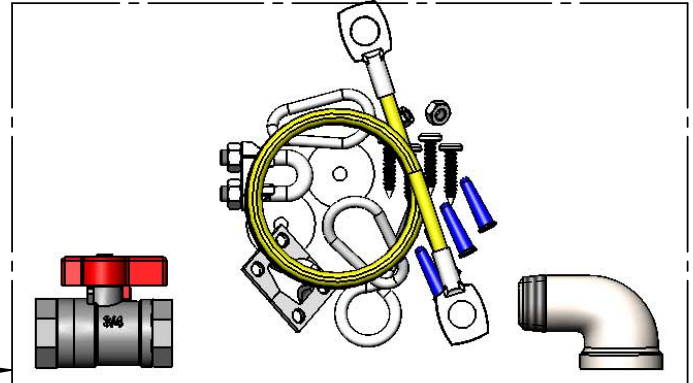
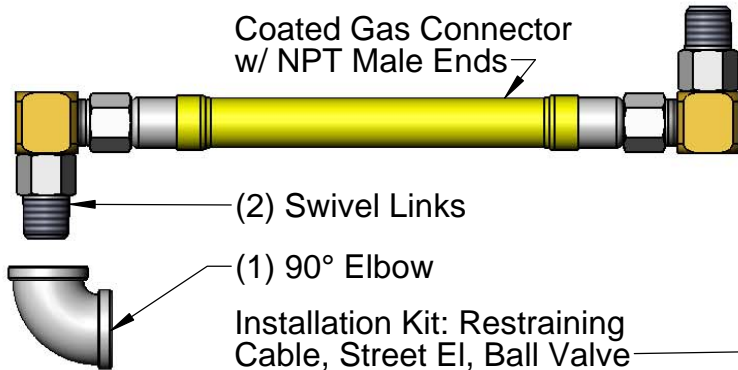
Job Name _____ Date _____

Model Specified _____ Quantity _____

Customer/Wholesaler _____

Contractor _____

Architect/Engineer _____



"L" = Length	1/2" NPT
12"	HG-2C-12SK
24"	HG-2C-24SK
36"	HG-2C-36SK
48"	HG-2C-48SK
60"	HG-2C-60SK
72"	HG-2C-72SK

"L" = Length	3/4" NPT
12"	HG-2D-12SK
24"	HG-2D-24SK
36"	HG-2D-36SK
48"	HG-2D-48SK
60"	HG-2D-60SK
72"	HG-2D-72SK

"L" = Length	1" NPT
12"	HG-2E-12SK
24"	HG-2E-24SK
36"	HG-2E-36SK
48"	HG-2E-48SK
60"	HG-2E-60SK
72"	HG-2E-72SK

"L" = Length	1 1/4" NPT
12"	HG-2F-12SK
24"	HG-2F-24SK
36"	HG-2F-36SK
48"	HG-2F-48SK
60"	HG-2F-60SK
72"	HG-2F-72SK

HG-2-SK Series Product Configurator: HG - 2 - SK

Ex: HG - 2 - SK

Gas Hose, 3/4" NPT Male Ends, 36" Length, (2) Swivel Links, (1) 90° Elbow, (1) Installation Kit

Product Specifications:
Safe-T-Link Gas Appliance Connector: Coated Hose w/ NPT Male Ends, Swivel Links, 90° Elbow & Installation Kit

Product Compliance:
ANSI Z21.69 / CSA 6.16
NSF 2
NFPA 54