



T&S BRASS AND BRONZE WORKS, INC.
 2 Saddleback Cove / P.O. Box 1088
 Travelers Rest, SC 29690

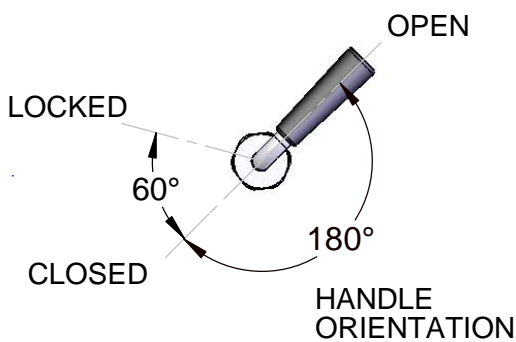
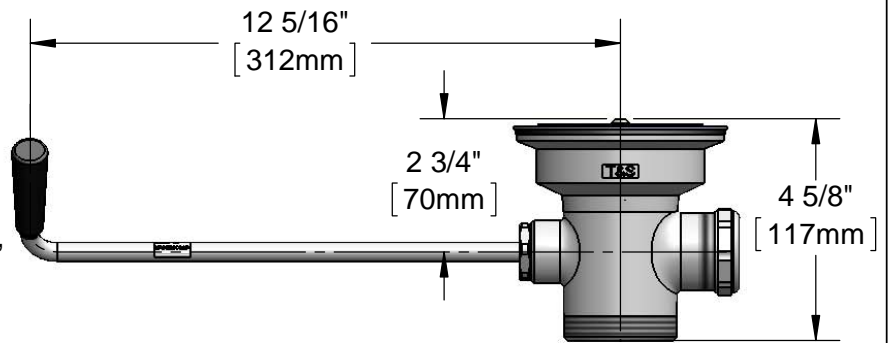
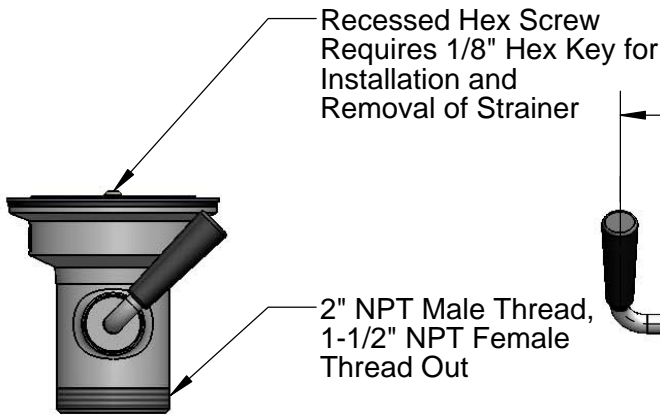
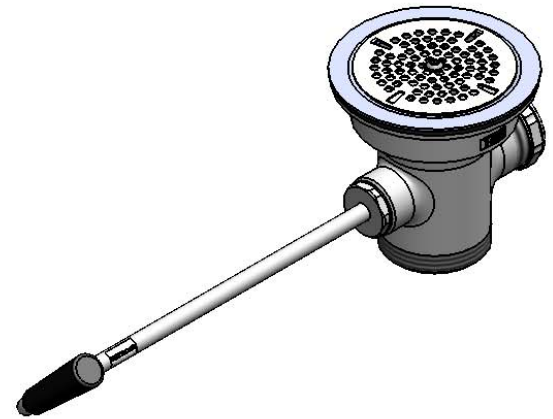
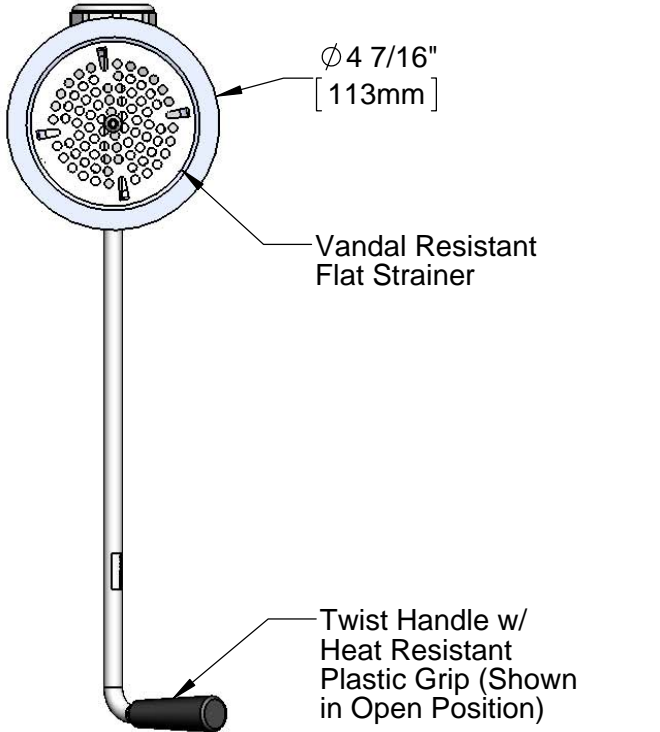
Model No.
B-3952-VR

Item No.

Travelers Rest, SC: 800-476-4103 • Simi Valley, CA: 800-423-0150 • Fax: 864-834-3518 • www.tsbrass.com

This Space for Architect/Engineer Approval

Job Name _____ Date _____
 Model Specified _____ Quantity _____
 Customer/Wholesaler _____
 Contractor _____
 Architect/Engineer _____



Product Specifications:
 Rotary Waste Valve w/ Twist Handle, 3 1/2" Sink Opening, 2" NPT Male / 1-1/2" NPT Female Outlet, Vandal Resistant Flat Strainer

Product Compliance:
 ASME A112.18.2 / CSA B125.2



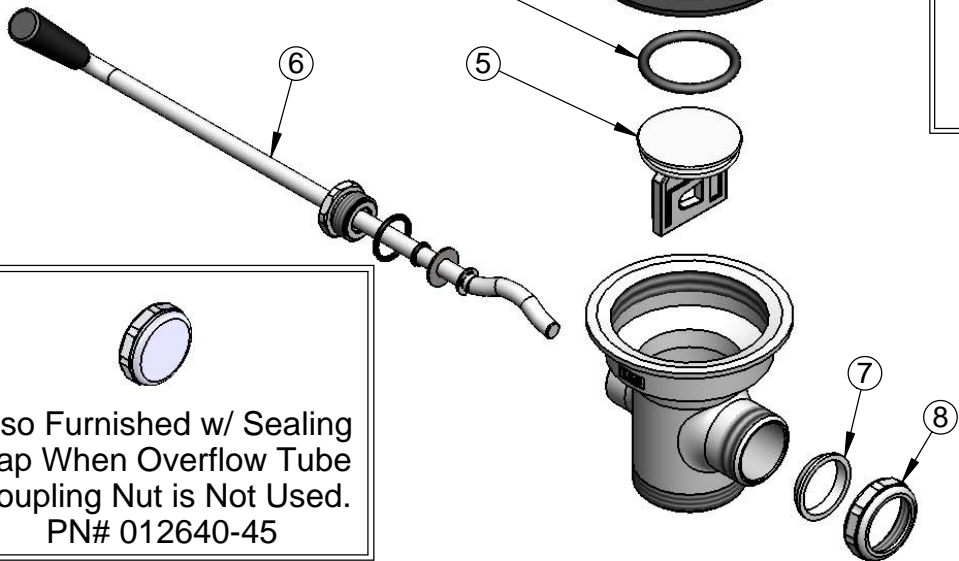
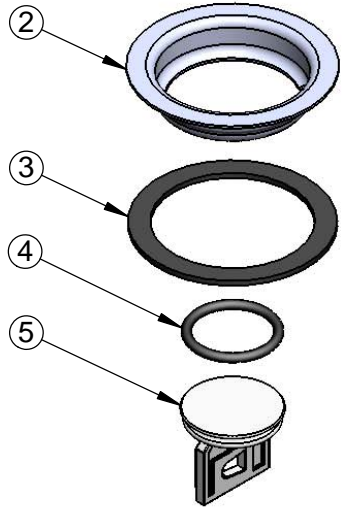
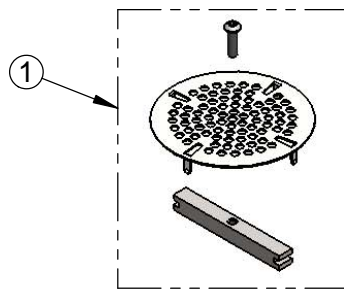
T&S BRASS AND BRONZE WORKS, INC.
 2 Saddleback Cove / P.O. Box 1088
 Travelers Rest, SC 29690

Model No.
B-3952-VR

Item No.

Travelers Rest, SC: 800-476-4103 • Simi Valley, CA: 800-423-0150 • Fax: 864-834-3518 • www.tsbrass.com

| ITEM NO. | SALES NO. | DESCRIPTION |
|----------|-------------|--|
| 1 | 010386-45VR | Vandal Resistant Locking Flat Strainer, 3-1/2" |
| 2 | 010384-45 | Flange, 3 1/2" Face |
| 3 | 010382-45 | Gasket, 3 1/2" Face Flange |
| 4 | 010389-45 | O-Ring, Plunger |
| 5 | 010388-45 | Plunger, Lever and Twist Drain |
| 6 | 010393-45 | Rod Assembly, Twist |
| 7 | 010390-45 | Ferrule, Coupling Nut |
| 8 | 010391-45 | Nut, Coupling for Twist Drain |



Also Furnished w/ Sealing Cap When Overflow Tube Coupling Nut is Not Used.
 PN# 012640-45

Product Specifications:
 Rotary Waste Valve w/ Twist Handle, 3 1/2" Sink Opening, 2" NPT Male / 1-1/2" NPT Female Outlet, Vandal Resistant Flat Strainer

Product Compliance:
 ASME A112.18.2 / CSA B125.2