

FEATURES

- 60" x 32" Shower Walls for existing construction.
- Solid Surface material for superior strength, beauty and easy cleaning. Surface will not support bacteria growth.
- Walls can be attached to moisture-resistant wall board, or directly over tile with supplied adhesive. Walls are trimmable for custom fit.
- Integrated pieces fit together for an easy, clean installation.
- 3 Piece Wall Kit includes two end walls, back wall and trim kit which includes 2 corner cove molding pieces, 2 corner blocks, finish trim to fit along the top of wall panels and down the outer sides to the shower base, one 11-oz. tube color-matched caulk, three 11-oz. tubes 100% silicone adhesive and one roll mounting tape.
- 5 Year Limited Residential Warranty / 1 Year Commercial Warranty

COLORS

- 13 Décor colors.

OPTIONS

- Matching shower base.
- 3 Shampoo Caddies, Corner Seat, Corner Shelf, Corner Soap Dish and a Window Trim Kit also available. See Accessories Specification sheet for details.



Shown with PAN3260SLC Shower Base, ACCESS0003 Recessed Shampoo Caddy, SEAT1818 Corner Seat, SOAPDISH03 (2) Corner Soap Dishes.

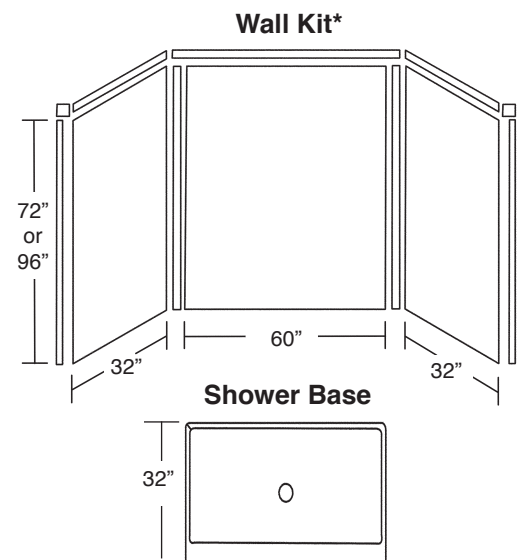
Specified Model

	SIZE	LEFT HAND MODEL NO		RIGHT HAND MODEL NO	Width	Depth	Height
SHOWER WALL KIT							
<input type="checkbox"/>	60" x 32"	WK326072			60"	to 32"	72"
<input type="checkbox"/>	60" x 32"	WK326096			60"	to 32"	96"
OPTIONAL COMPONENTS							
Shower Base							
<input type="checkbox"/>	60" x 32"	PAN3260SLC	<input type="checkbox"/>	PAN3260SRC	60"	32"	4"
COMPLETE SHOWER KITS							
Walls & Base Kit							
<input type="checkbox"/>	60" x 32"	SK326072L	<input type="checkbox"/>	SK326072R	60"	32"	76"
<input type="checkbox"/>	60" x 32"	SK326096L	<input type="checkbox"/>	SK326096R	60"	32"	100"

To Be Specified: Color (see below)

Colors (See color samples on back of Décor Accessories specification page)

<input type="checkbox"/>	A5 White	<input type="checkbox"/>	A4 Sand Castle
<input type="checkbox"/>	A6 Cameo	<input type="checkbox"/>	A8 Matrix White
<input type="checkbox"/>	A7 Biscuit	<input type="checkbox"/>	B0 Matrix DusK
<input type="checkbox"/>	A1 Moonlight	<input type="checkbox"/>	B1 Matrix Khaki
<input type="checkbox"/>	A0 Desert Earth	<input type="checkbox"/>	B2 Matrix Sand
<input type="checkbox"/>	A2 Seaside	<input type="checkbox"/>	B9 Matrix Summit
<input type="checkbox"/>	A3 Peppered Sage		



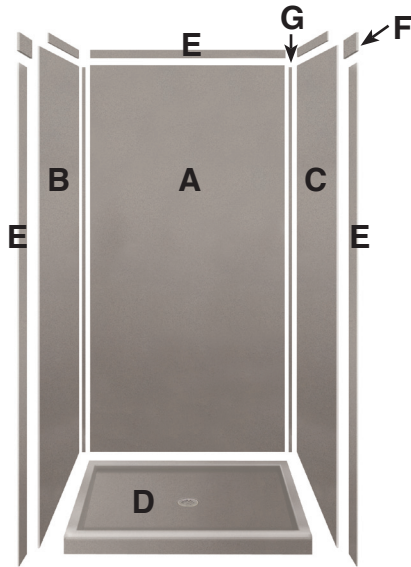
*Can be trimmed to fit

60" x 32" shower walls WK3260



INSTALLATION NOTES:

This product is to be installed according to the installation guide supplied with shower walls. This product designed to be installed over clean, smooth tile, waterproof drywall or cement board. If installing directly over tile, remove all loose pieces and fill for a consistent, smooth substrate.

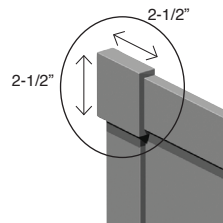


E. Outside Finish Edge Trim



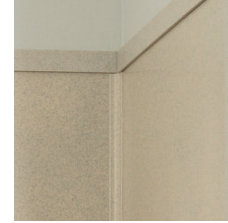
Outside Finish Edge Trim fits along the top of the wall panels and down the outer edge of the wall panel sides to the shower base.

F. Corner Block Trim



The solid surface corner blocks (set of 2) used at the top outside corners of the walls for a decorative finished appearance.

G. Inside Corner Cove Molding



Inside Corner Cove Molding (2 pieces) included for out of square installation.

	MODEL #	DESCRIPTION
	WK326072	3-piece Wall Kit - 72" H
	WK326096	3-piece Wall Kit - 96" H
A		Back Wall (1 panel)
B		Left End Wall (1 panel)
C		Right End Wall (1 panel)
D	PAN3260SLC	Shower Base - end drain (left hand)
	PAN3260SRC	Shower Base - end drain (right hand)

OPTIONS: ACCESSORIES

Available for on-site installation. Must be ordered separately. See Accessories Specification for further information.



Corner Soap Dish
SOAPDISH03



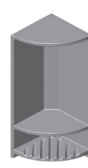
Recessed Shampoo Caddy
ACCESS0001



Recessed Shampoo Caddy
ACCESS0002



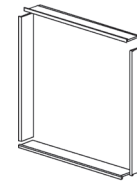
Recessed Shampoo Caddy
ACCESS0003



Double Corner Shelf
ACCESS0004



Corner Seat
SEAT1818



Window Trim Kit
WTK03636

Product Information

MODEL NO.	SHOWER DOOR	
	MAXIMUM WIDTH	MAXIMUM HEIGHT
WK326072	58"	69-1/2"
WK326096	58"	93-1/2"