

FEATURES

- 60" x 30" Shower Walls for new and existing construction.
- Thick 1/4" 100% solid surface material bonded to an 1-1/4" thick aluminum honeycomb polyurethane filled backer for superior strength. Solid surface material is easy to clean and will not support bacteria growth.
- 4-piece wall design glues directly to studs with supplied adhesive. Back wall can be alternately installed with aluminum hanging rail provided.
- Aluminum channel joints for easy installation and uniform structure.
- Four wall shelves included for convenient storage
- Wall Kit includes one pc. bullnose molding for use over lap joint on back wall, 8" long chrome shower arm, 15" slotted hanging rail, four 11-oz. tubes quick dry panel adhesive and two 11-oz. tubes 100% silicone adhesive.
- 10 Year Limited Residential Warranty / 3 Year Commercial Warranty

COLORS

- 3 Transitions colors with a 16" x 16" square tile pattern.

OPTIONS

- Dome Top slides in place and sits on top of the shower walls forming a complete 8' shower enclosure. The dome contains (3) waterproof UL approved 12 volt LED lights (40 year life).
- Shower base with concealed drain.
- Corner or Rectangular Shower Seats also available. See Accessories Specification sheet for details.



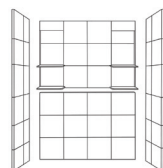
Shown with F6030R Shower Base, T6001 Dome Top

DIRECT-TO-STUD

	SIZE	LEFT HAND MODEL NO		RIGHT HAND MODEL NO	Width	Depth	Height
COMPLETE SHOWER KITS							
	Walls & Base Kit						
<input type="checkbox"/>	60" x 30"	DKWF6008L	<input type="checkbox"/>	DKWF6008R	60"	30"	83"
	Walls, Base & Extension Walls Kit						
<input type="checkbox"/>	60" x 30"	DKWFT6008L	<input type="checkbox"/>	DKWFT6008R	60"	30"	95 3/4"
SHOWER WALLS (only) KIT							
<input type="checkbox"/>	60" x 30"	DKWE6008			60"	30"	80"
	60" x 80"	DB608 Back Wall (2 pcs.)			60"		80"
	30" x 80"	DE308 End Wall Set (2 pcs.)			30"		80"
INDIVIDUAL COMPONENTS							
	Shower Base						
<input type="checkbox"/>	60" x 30"	F6030L	<input type="checkbox"/>	F6030R	60"	30"	3"
	Dome Top						
<input type="checkbox"/>	60" x 30"	T6001			60"	30"	12 3/4"

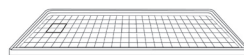
To Be Specified: Color (see below)

Shower Wall Colors:



	Shower Walls	Shower Base
<input type="checkbox"/>	91 White Carrara	11 Storm
<input type="checkbox"/>	94 Sand Mountain	14 Sand
<input type="checkbox"/>	96 Almond Sky	05 Almond

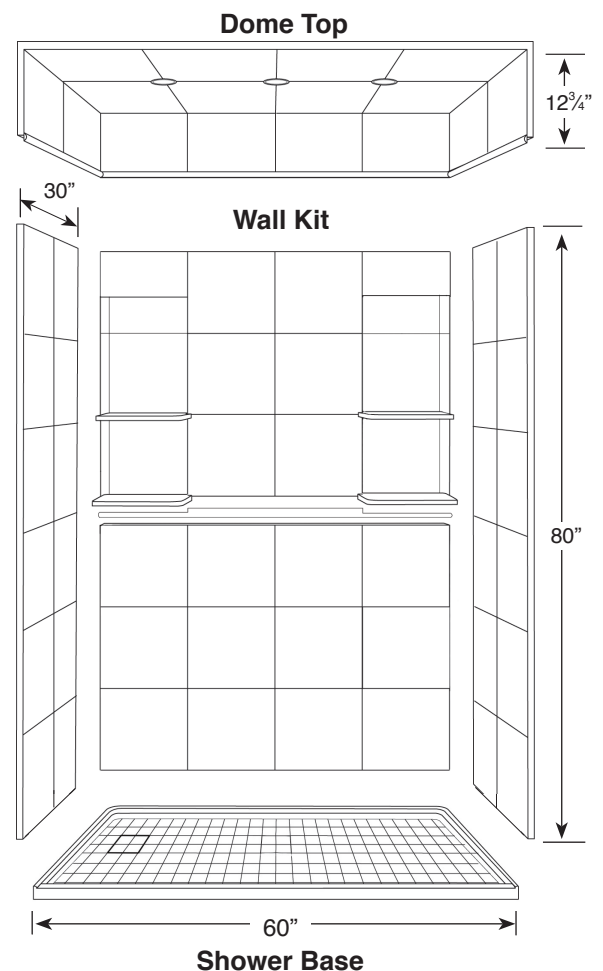
Shower Base Colors:



Compliance Certifications -

Meets or Exceeds the Following Specifications

- IGC 154-2012
- ASME A112.18.1 / CSA B125.125.1-11
- cUPC®



60" x 30" shower DKWF6008



DIRECT-TO-STUD

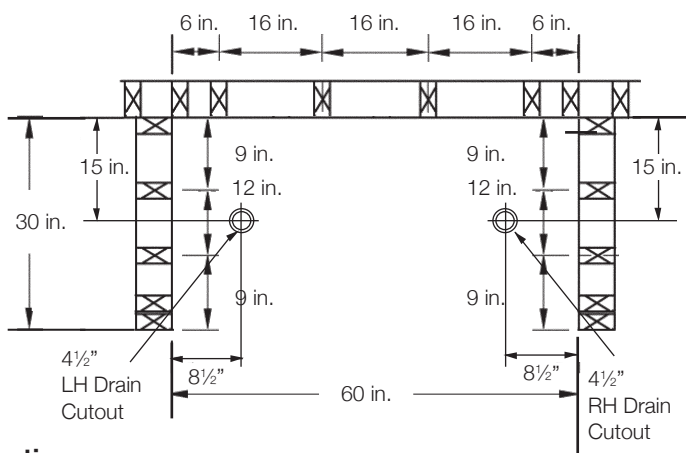
INSTALLATION NOTES

This product is to be installed according to the installation guide.

Drain cutout in subfloor to be 4-1/2" diameter and located per the rough-in Illustration 1. Dry fit the shower base to ensure a proper fit and correct alignment of the shower drain and the hole in the floor.

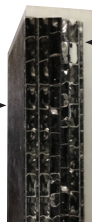
Unit can be installed with aluminum hanging rail provided. Alternate adhesive method of installation can be used without the use of the hanging rail (see full instructions for details). Position of hanging rail mounting is also critical. See Illustration 2 for horizontal positioning of hanging rail. The top of the hanging rail to be positioned at 76" above finished floor when using a 3" high Transolid® shower base. When you do not use a Transolid® shower base the upper hanging rail should be installed 73" above the finished threshold.

Illustration 1



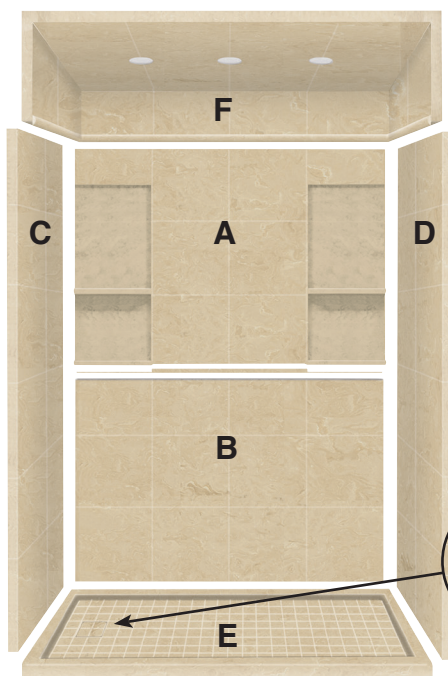
Strong 2-layer construction

1 1/4" thick Aluminum Honeycomb Backer provides strength and structure.



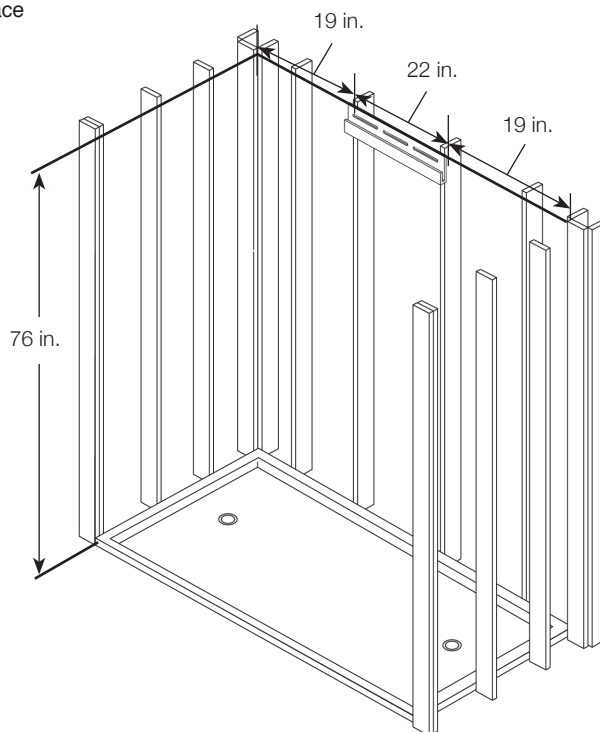
1/4" thick solid surface material for beauty and smooth bacteria free surface

Aluminum Channel Joints for easy installation



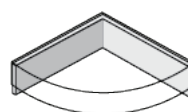
Concealed drain with color-matched lift-off drain cover, 2 1/4" mosaic tile pattern.

Illustration 2

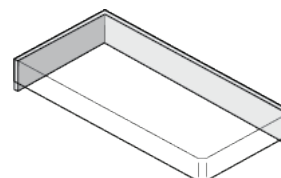


OPTIONS: ACCESSORIES

Available for on-site installation. Must be ordered separately. See Accessories Specification for further information.



Corner Shower Seat
CSS1414



Rectangular Shower Seat
RSS2412

	MODEL NO.	DESCRIPTION
A	DB608U	Upper Back Wall (1 panel)
B	DB608D	Lower Back Wall (1 panel)
C	DE308L	Left End Wall (1 panel)
D	DE308R	Right End Wall (1 panel)
E	F6030L	Shower Base - LH drain (shown)
E	F6030R	Shower Base - RH drain
F	T6001	Dome Top with (3) LED Lights

Product Information

SHOWER DOOR		
MODEL NO.	MAXIMUM WIDTH	MAXIMUM HEIGHT
DKW6008	57"	80"