







Location:

SYMMONS® Origins®

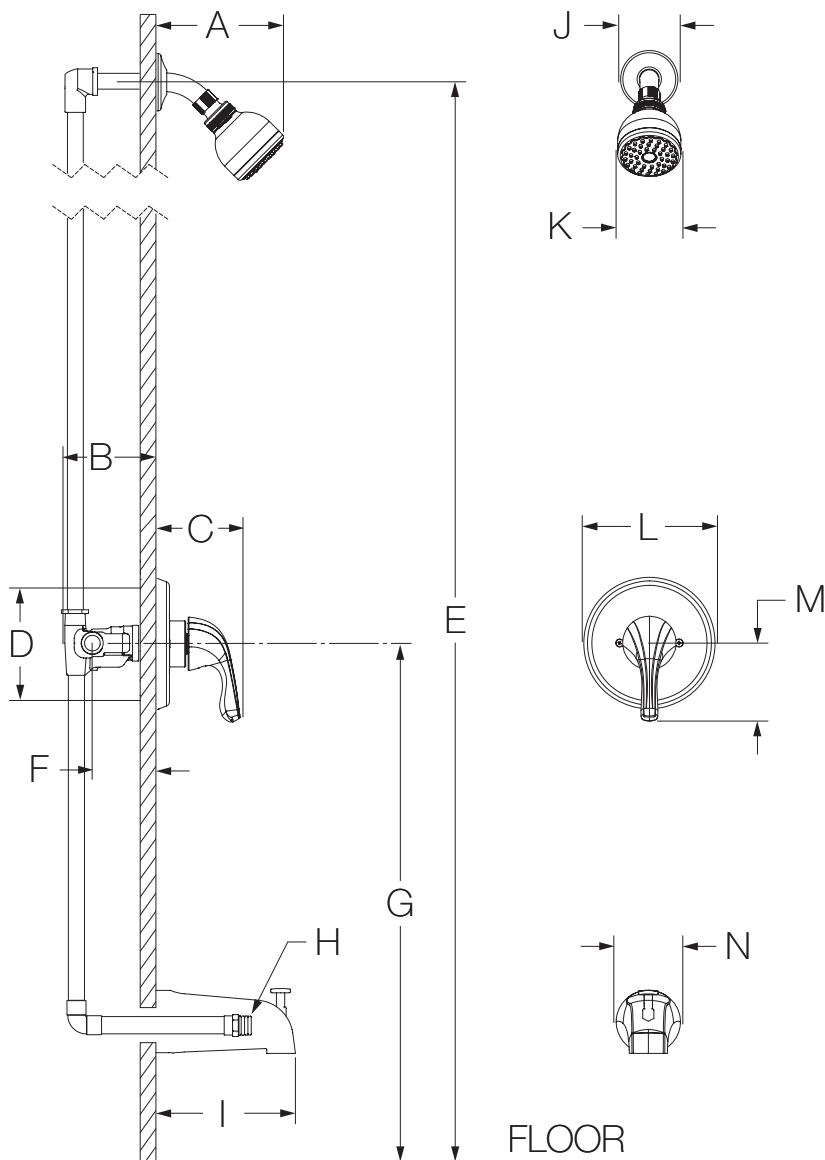
the smart choice™

9602-PLR-TRM, 9602PLRTRMTC
 Tub/Shower Trim
Specification Submittal



Feature Highlights	Options/Modifications
<ul style="list-style-type: none"> Origins Tub/Shower Trim Requires Temptrol® Pressure Balancing Tub/Shower Valve Metal lever handle 5-1/2" diverter tub spout 1 mode showerhead with easy to clean nozzles 2.5 gpm (9.5 L/min) flow restrictor Components shall be metal and nonmetallic construction, plated in standard Polished Chrome finish Available with TA-10 flow control spindle and T-12A cap assembly for Temptrol valve bodies installed with Test Cap (order p/n 9602PLRTRMTC) 	<ul style="list-style-type: none"> <input type="checkbox"/> -1.5  1.5 gpm (5.7 L/min) flow restrictor <input type="checkbox"/> -2.0 2.0 gpm (7.6 L/min) flow restrictor <input type="checkbox"/> -143 3 mode showerhead <input type="checkbox"/> -145 5 mode showerhead <input type="checkbox"/> -151 1 mode showerhead <input type="checkbox"/> -231 Super showerhead <input type="checkbox"/> -295 Institutional showerhead <input type="checkbox"/> -B Brass escutcheon (chrome only) <input type="checkbox"/> -D Brass dome cover (chrome only) <input type="checkbox"/> -L1 Less showerhead <input type="checkbox"/> -LAM  Metal finish insert handle <input type="checkbox"/> -LP  Loop handle <input type="checkbox"/> -OP R13" oval plate <input type="checkbox"/> -REB Rebuild trim kit, includes TA-10 and TA-4 <input type="checkbox"/> -SS Slip spout <input type="checkbox"/> -VP Vandal resistant escutcheon screws in place of standard screws <input type="checkbox"/> -STN Satin Nickel finish
<h3>Model Numbers</h3>	
<ul style="list-style-type: none"> <input type="checkbox"/> 9602-PLR-TRM Tub/Shower Trim, Temptrol Pressure Balancing Tub/Shower Valve ordered separately <input type="checkbox"/> 9602PLRTRMTC Tub/Shower Trim with TA-10 flow control spindle and T-12A cap assembly, must order Temptrol valve with Test Cap 	
<h3>Compliance</h3>	
<ul style="list-style-type: none"> ASME A112.18.1/CSA B125.1 	
<h3>Warranty</h3>	<p>Note: Append appropriate -suffix to model number.</p>
<p>Limited Lifetime - to the original end purchaser in consumer/residential installations. 5 Years - for industrial/commercial installations. Refer to www.symmons.com/warranty for complete warranty information. Go to www.symmons.com/register to register your Symmons product.</p>	

Dimensions



Measurements	
A	6-3/8", 162 mm
B	3-1/2", 89 mm
C	3-5/8", 92 mm
D	Shower Valve Hole Size Min. Ø 3", 76 mm Max. Ø 4", 102 mm
E	Ref. 77", 1956 mm
F	Rough-in 2-3/8" ± 1/2", 60 mm ± 13 mm
G	Ref. 32", 813 mm
H	Male 1/2" NPT fitting must protrude 4" (102 mm) from finished wall
I	5-1/4", 133 mm
J	Ø 2-1/2", 64 mm
K	Ø 2-3/4", 70 mm
L	Ø 5-3/4", 146 mm
M	3-3/8", 86 mm
N	Ø 2-1/2", 64 mm

Notes:

- 1) Valve body and piping not included and shown as reference only.
- 2) Plaster shield (p/n T-176) for dry wall, plaster or other type walls 1/2" or greater.
- 3) All dimensions measured from nominal rough-in (see F as reference).
- 4) Dimensions subject to change without notice.