

Location:

**SYMMONS® Safetymix®**
Shower System 1-100-150
Specification Submittal



Feature Highlights

- Symmons shower system with a lever handle.
- Symmons Safetymix pressure balancing 3-port #4-500 mixing valve with adjustable stop screw to limit handle turn.
- Senior showerhead #4-150 with semi adjustable flood or mist spray
- Standard flow rate 2.5 gpm (9.5 L/min)
Optional lower flow rate restrictor available
- Spray face is non-clogging and non-removable
- Mounting fasteners for showerhead are vandal resistant recessed hex socket type
- Polished chrome finish

Model Numbers

- 1-100-150 Shower System with Symmons Safetymix #4-500 pressure balancing mixing valve and showerhead #4-150

Finish Options

Append appropriate -suffix to model number.

- Polished chrome finish (standard)

Standards / Certifications

ASME A112.18.1/CSA B125.1



Warranty

- Limited Lifetime - to the original end purchaser in residential/consumer installations.
- 5 years - for commercial installations

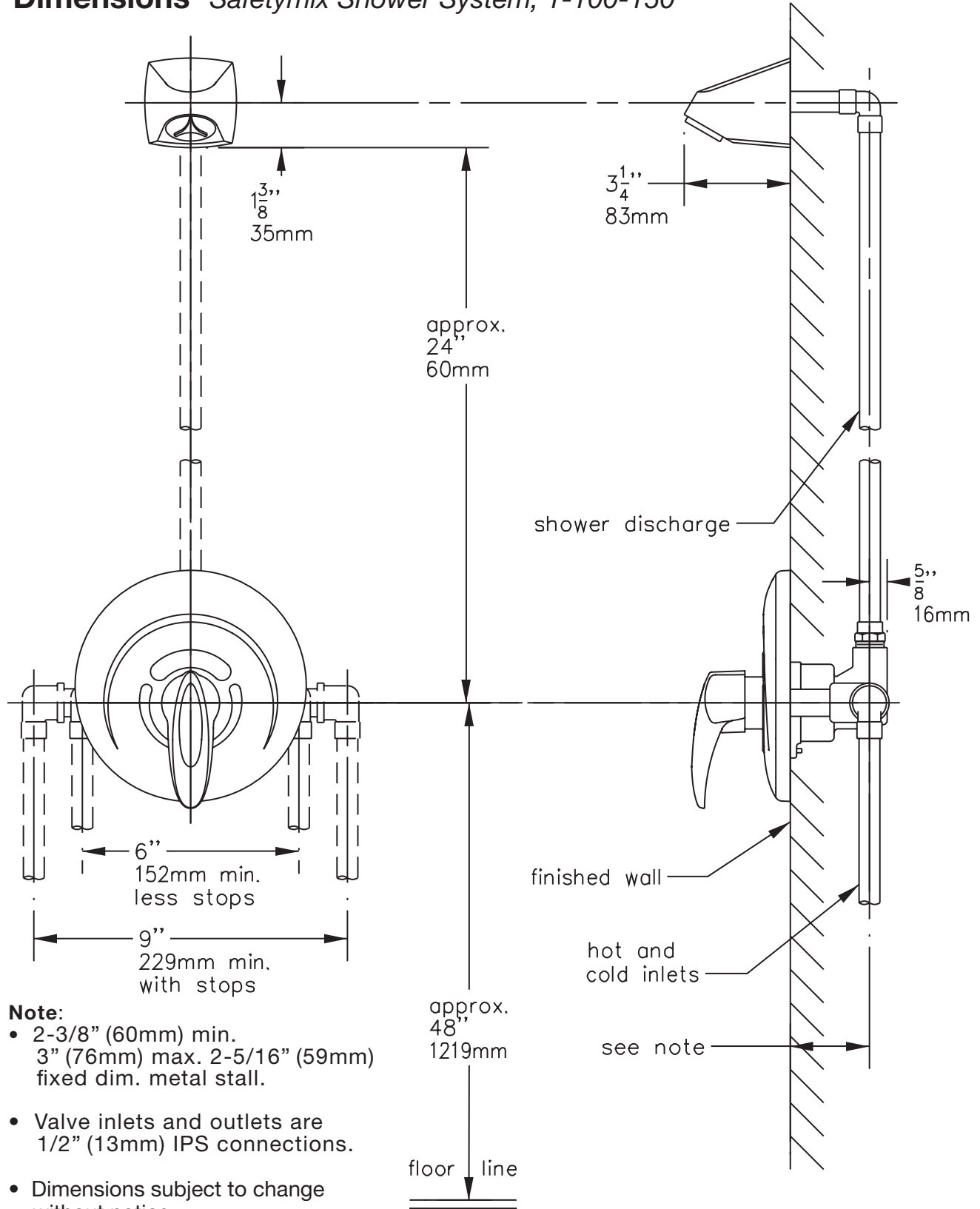


Options / Modifications

Append appropriate -suffix to model number.

- CG** -1.5 1.5 gpm (5.7 L/min) flow restrictor
- 2.0 2.0 gpm (7.6 L/min) flow restrictor
- A Anchor plate to simplify mounting on ceramic tile
- BB Back plate and thru bolts for extra thick wall up to 6 inches.
Specify dimension for thicker wall.
Enter dimension: _____
- BX Back connection with integral stops
- E External volume control on showerhead
- G Dial thermometer
- VP Vandal resistant escutcheon screws in place of standard screws
- X Integral stops - allows water shut off at valve for service. Recommended for use on all multiple commercial installations
- X-3/4" 3/4" valve to increase flow approximately 20%
- X-CHKS Integral check stops - for use in installations where a positive shut-off device is used downstream of mixing valve

Dimensions *Safetymix Shower System, 1-100-150*



Symmons Industries, Inc. ■ 31 Brooks Drive ■ Braintree, MA 02184
 Phone: (800) 796-6667 ■ Fax: (800) 961-9621
 Website: symmons.com ■ Email: gethelp@symmons.com

Copyright © 2017 Symmons Industries, Inc. ■ ZV-1709 REV A ■ 013117

SYMMONS[®]
 the smart choice™