



Location:

SYMMONS® Canterbury®

the smart choice™

S-4502-TRM, S4502TRMTC
Tub/Shower Trim
Specification Submittal



Feature Highlights

- Canterbury Tub/Shower Trim
- Requires Temptrol® Pressure Balancing Tub/Shower Valve
- Integral diverter control
- Metal lever handle
- 7-1/4" non-diverter tub spout
- 1 mode showerhead
- 2.5 gpm (9.5 L/min) flow restrictor
- Components shall be metal and nonmetallic construction, plated in standard Polished Chrome finish
- Available with TA-10 flow control spindle and T-12A cap assembly for Temptrol valve bodies installed with Test Cap (order p/n S4502TRMTC)

Model Numbers

- S-4502-TRM**
Tub/Shower Trim with integral diverter control, Temptrol Pressure Balancing Tub/Shower Valve ordered separately
- S4502TRMTC**
Tub/Shower Trim with integral diverter control, TA-10 flow control spindle and T-12A cap assembly, must order Temptrol valve with Test Cap

Compliance



- ASME A112.18.1/CSA B125.1



Warranty

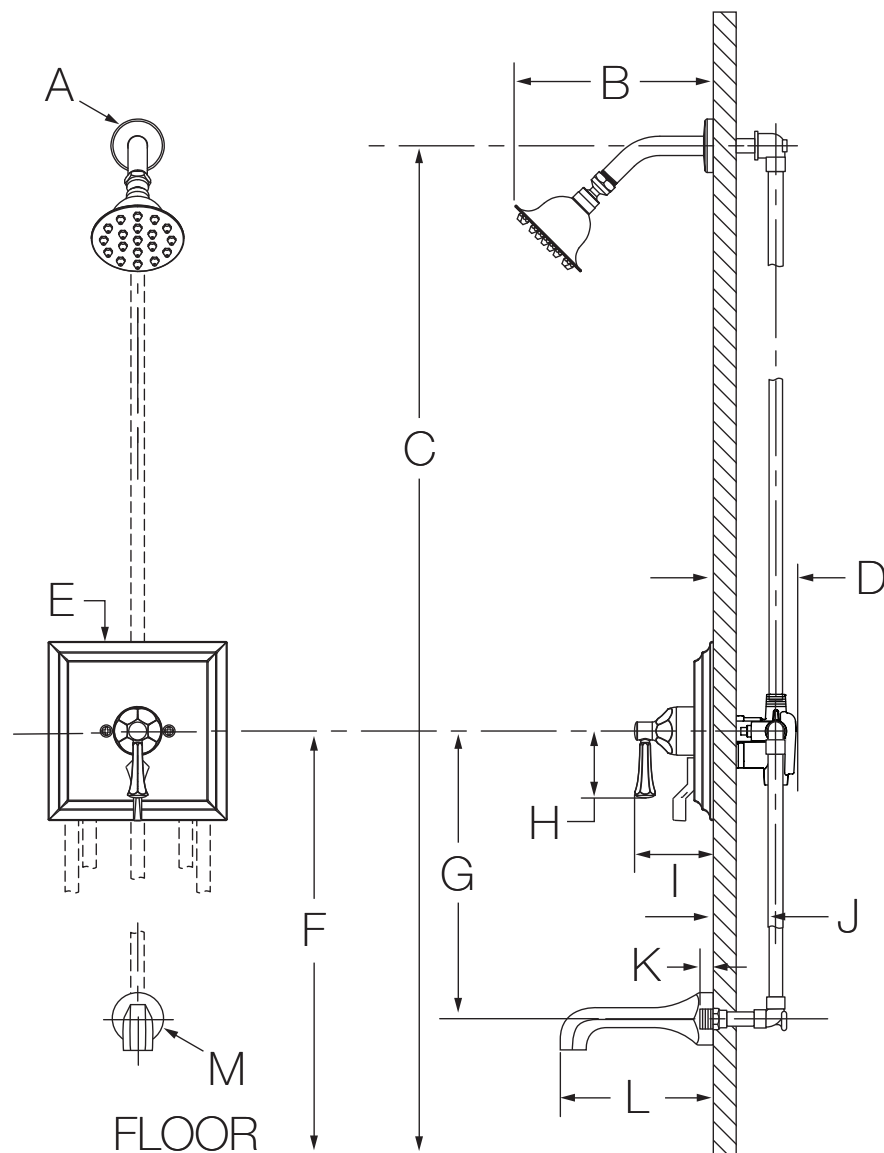
Limited Lifetime - to the original end purchaser in consumer/residential installations.
5 Years - for industrial/commercial installations.
Refer to www.symmons.com/warranty for complete warranty information.
Go to www.symmons.com/register to register your Symmons product.

Options/Modifications

- 1.5**  1.5 gpm (5.7 L/min) flow restrictor
- 2.0** 2.0 gpm (7.6 L/min) flow restrictor
- L1** Less showerhead
- LP**  Loop handle
- REB** Rebuild trim kit, includes TA-10 and TA-4
- VP** Vandal resistant escutcheon screws in place of standard screws
- STN** Satin Nickel finish

Note: Append appropriate -suffix to model number.

Dimensions



| Measurements | |
|--------------|---|
| A | Ø 2-1/4", 57 mm |
| B | 8-5/8", 219 mm |
| C | Ref. 77", 1956 mm |
| D | 3-1/2", 89 mm |
| E | Sq. 7-1/2", 191 mm |
| F | Ref. 32", 813 mm |
| G | Ref. 12", 305 mm |
| H | 3" 76 mm |
| I | 3" 76 mm |
| J | Rough-in 2-3/8" ± 1/2", 60 mm ± 13 mm |
| K | Male 1/2-14 NPT fitting must protrude 1/2" (13 mm) from finished wall |
| L | 7-1/4", 184 mm |
| M | Ø 2-5/8", 67 mm |

Notes:

- 1) Valve body and piping not included and shown as reference only.
- 2) Plaster shield (p/n T-176) for dry wall, plaster or other type walls 1/2" or greater.
- 3) All dimensions measured from nominal rough-in (see J as reference).
- 4) Dimensions subject to change without notice.