



**STORE+®**  
60-1/4" x 32" shower  
**72420110**



### Features

- Tongue-and-groove modular design allows for easy installation during any phase of construction.
- Includes four rimmed shelves, two bins, two shower hooks, and two soap dishes with towel bar.
- Dishwasher-safe shelves and bins snap into place; no tools required.
- Holds up to 30 bottles.
- Easy-to-clean, durable high-gloss finish.
- Shaving ledge/footrest for added comfort.

### Material

- Compression molded from our exclusive solid Vikrell® material.

### Installation

- Alcove.
- Caulk-free installation.
- Left drain.

### Recommended Products/Accessories

K-23726 Drain treatment  
K-23733 Vikrell® cleaner

### Included Components

Product consists of:

72181110  
72332100  
72425100

Additional Components:

10-piece Accessory Kit



### Codes/Standards



CSA B45.5/IAPMO Z124  
ASTM E162  
ASTM E662  
HUD, UM Bulletin 73

### Warranty – Bathing Fixtures (and Kitchen and Utility Sinks Made of Solid Vikrell® Material) STERLING® Warranty - Bathing & Showering Accessories

See website for detailed warranty information.

### Available Colors/Finishes

*Color tiles intended for reference only.*

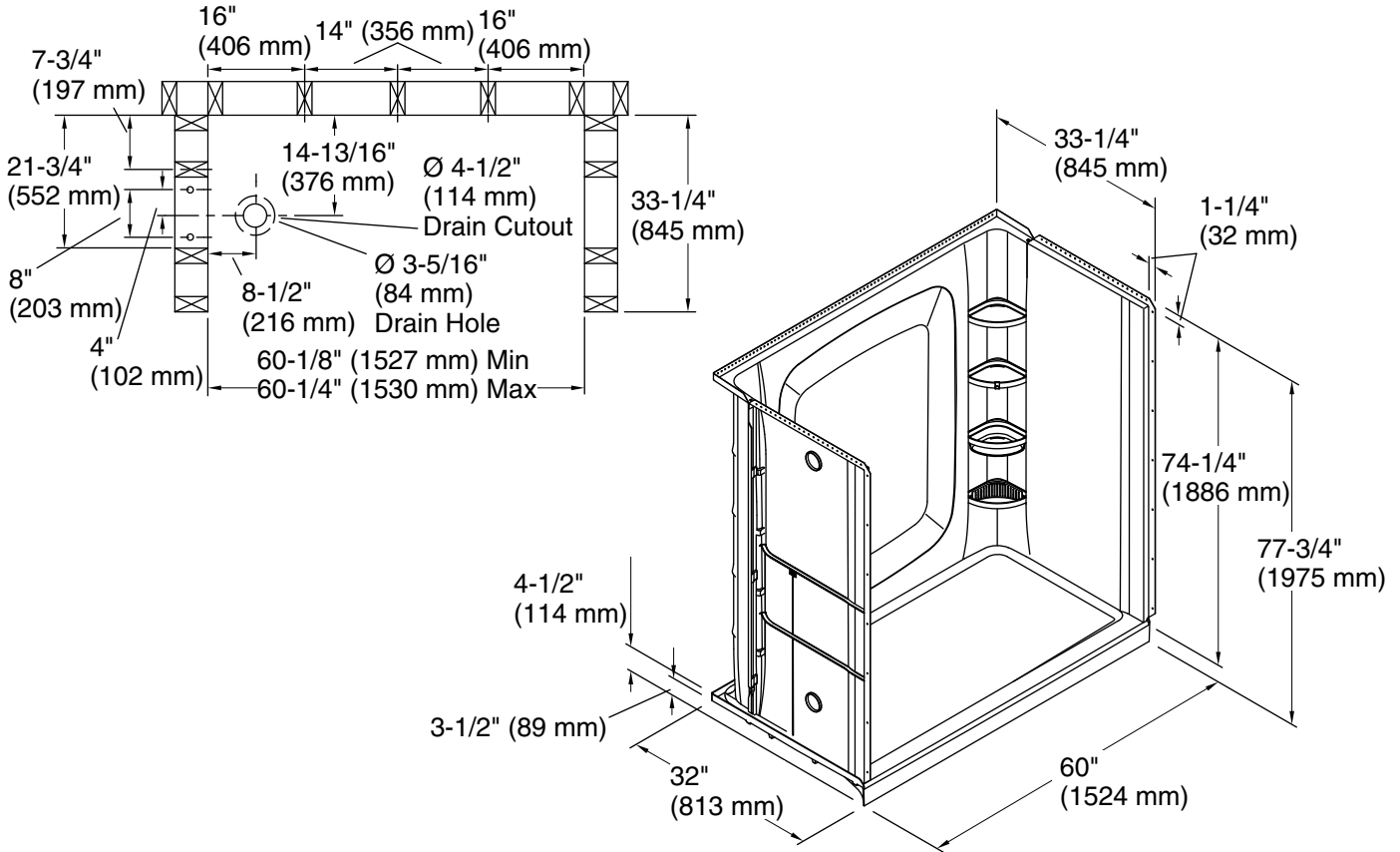
Color	Code	Description
	0	White
	96	KOHLER Biscuit

1-800-STERLING (1-800-783-7546)

Kohler Co. reserves the right to make revisions without notice to product specifications.

For the most current Specification Sheet, go to [www.sterlingplumbing.com](http://www.sterlingplumbing.com).

12-29-2021 11:04 - US/CA



**Technical Information**

All product dimensions are nominal.

Maximum door height: 73" (1854 mm)

Maximum door width: 56-3/4" (1441 mm)

**Notes**

Install this product according to the installation instructions.

Studs should be positioned roughly as shown.

Double studding is recommended for pivot shower door installations.