



Features

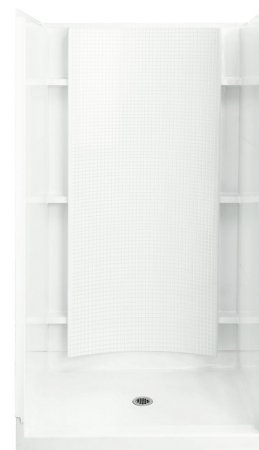
- Alcove installation
- 3-1/2" threshold
- Solid Vikrell material
- Durable high-gloss finish
- Center drain
- Three-piece, tongue-and-groove walls with snap-together installation
- Geometric backwall design
- No caulk required
- Convenient shelves
- Aging in Place backerboards

Recommended Products/Accessories

- 1500D-42 Framed Pivot Shower Door
- 1505D-42 Framed Pivot Shower Door
- 1530D-42 Framed Pivot Shower Door
- 1535D-42 Framed Pivot Shower Door
- 5960-43 Framed Sliding Shower Door
- 6305-39 Frameless Pivot Shower Door
- 6505-39 Framed Pivot Shower Door
- 6506-39 Framed Pivot Shower Door
- 80001012 12" Grab Bar
- 80001018 18" Grab Bar
- 80001024 24" Grab Bar
- 80011032 32" Grab Bar
- 80001036 36" Grab Bar

Included Components

- Product consists of:
- 72245106 36" Shower End Wall Set w/Backer Boards
 - 72251100 42" Shower Base
 - 72252100 42" Shower Back Wall



Codes/Standards

- CSA B45.5/IAPMO Z124
- ASTM E162
- ASTM E662
- Greenguard UL 2818 - Gold
- HUD, UM Bulletin 73

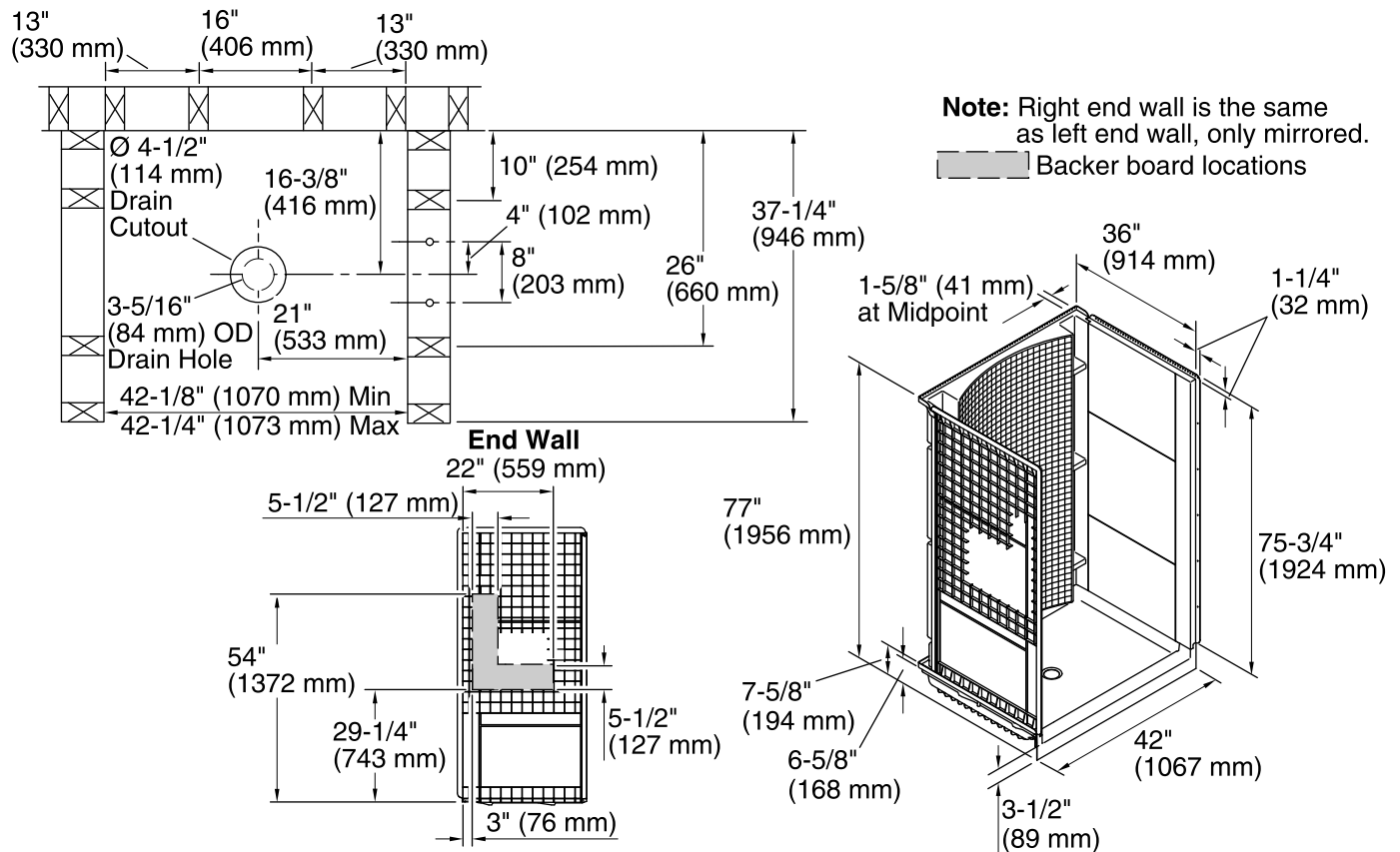
Warranty – Bathing Fixtures (and) Kitchen and Utility Sinks Made of Solid Vikrell® Material

See website for detailed warranty information.

Available Colors/Finishes

Color tiles intended for reference only.

Color	Code	Description
	0	White
	96	KOHLER Biscuit



Technical Information

All product dimensions are nominal.

Installation: Three-wall alcove

Drain location: Center

Minimum flat for door: 3-1/4" (83 mm)

Threshold height: 3-1/2" (89 mm)

Maximum door height: 72" (1829 mm)

Maximum door width: 38-5/8" (981 mm)

Notes

Install this product according to the installation instructions.

Receptor cannot be installed without the wall surround.

Attach grab bars at the specified backerboard locations only.

Studs should be positioned roughly as shown.

Double studding is recommended for pivot shower door installations.