

Ensemble™
42" Curve Shower
72210100



Features

- Alcove installation
- 4-1/2" threshold
- Solid Vikrell material
- Durable high-gloss finish
- Center drain
- Three-piece, tongue-and-groove walls with snap-together installation
- Some caulk required
- Convenient shelves, shaving ledge/footrest

Included Components

Product consists of:

- 72205100 34" Shower End Wall Set
- 72111100 42" Shower Base
- 72212100 42" Shower Back Wall



Codes/Standards



- CSA B45.5/IAPMO Z124
- ASTM E162
- ASTM E662
- Greenguard UL 2818 - Gold
- HUD, UM Bulletin 73

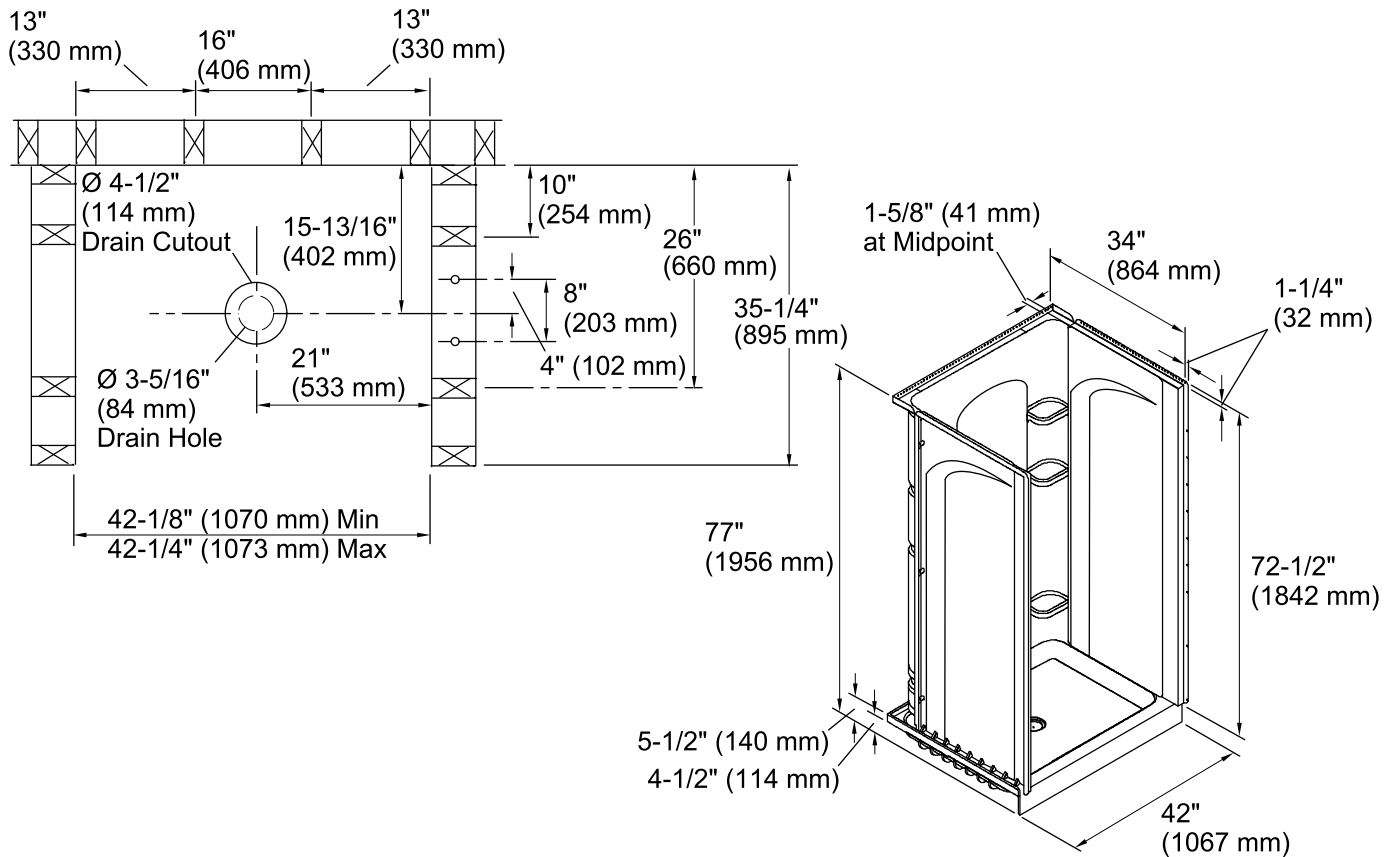
Warranty – Bathing Fixtures (and) Kitchen and Utility Sinks Made of Solid Vikrell® Material

See website for detailed warranty information.

Available Colors/Finishes

Color tiles intended for reference only.

Color	Code	Description
	0	White
	96	KOHLER Biscuit



Technical Information

All product dimensions are nominal.

Installation: Three-wall alcove
 Drain location: Center
 Minimum flat for door: 3" (76 mm)
 Threshold height: 4-1/2" (114 mm)
 Maximum door height: 70-1/2" (1791 mm)
 Maximum door width: 38-5/8" (981 mm)

Notes

Install this product according to the installation instructions.
 Studs should be positioned roughly as shown.
 Double studding is recommended for pivot shower door installations.