



# Ensemble™

## 60" x 32" Curve End Drain Shower

### 72180110



#### Features

- Alcove installation
- 3-1/2" threshold
- Solid Vikrell material
- Left drain
- Three-piece, tongue-and-groove walls with snap-together installation
- Some caulk required
- Convenient shelves, shaving ledge/footrest

#### Included Components

Product consists of:

- 72232100 60" Shower Back Wall
- 72181110 60" x 32" Shower Receptor
- 72185100 32" Shower End Wall Set



#### Codes/Standards



CSA B45.5/IAPMO Z124  
ASTM E162  
ASTM E662  
Greenguard UL 2818 - Gold  
HUD, UM Bulletin 73

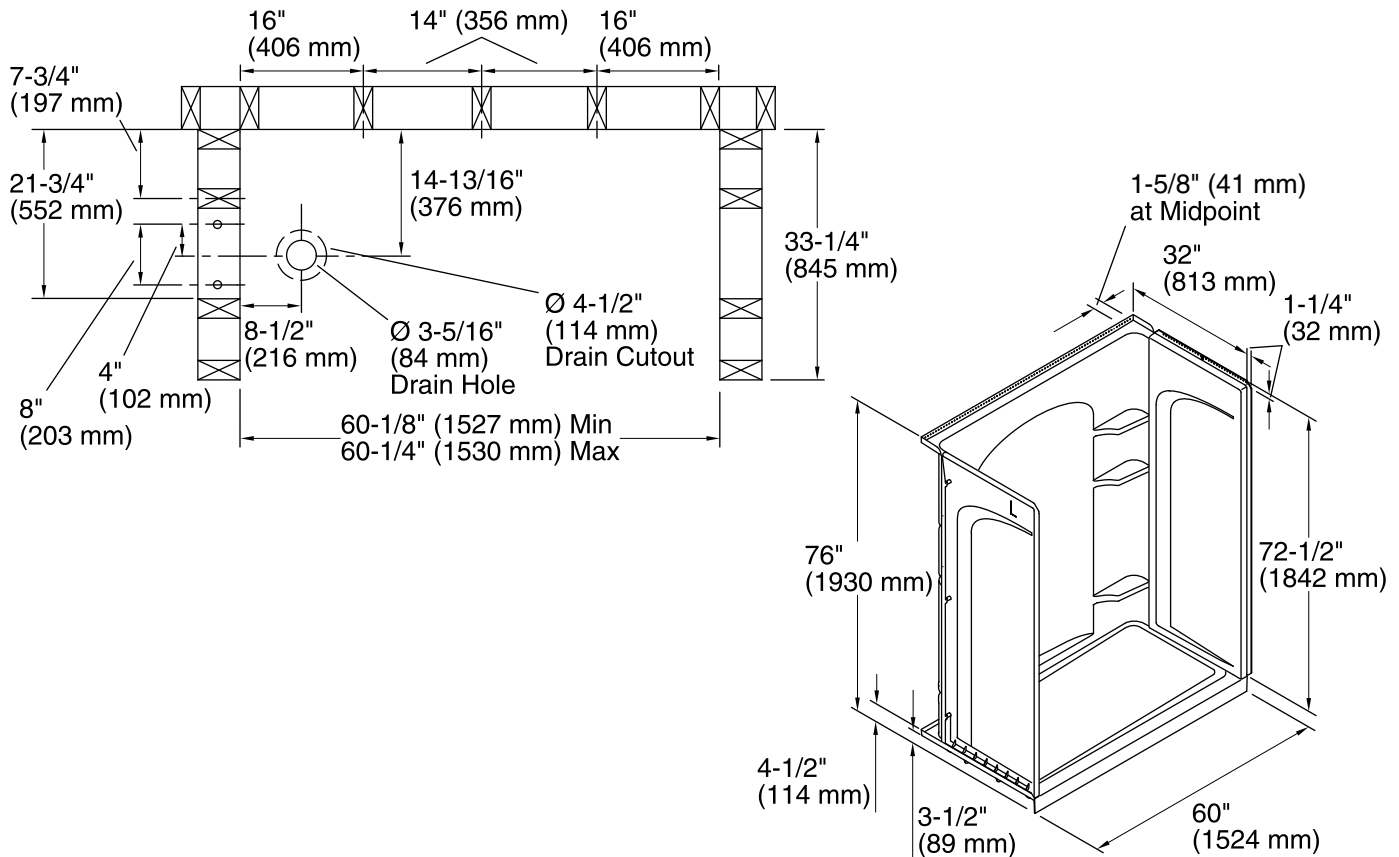
#### Warranty – Bathing Fixtures (and) Kitchen and Utility Sinks Made of Solid Vikrell® Material

See website for detailed warranty information.

#### Available Colors/Finishes

*Color tiles intended for reference only.*

Color	Code	Description
	0	White
	96	KOHLER Biscuit



**Technical Information**

All product dimensions are nominal.

- Installation: Three-wall alcove
- Drain location: Left
- Drain hole diameter: 3-5/16" (84 mm)
- Weight: 125.4 lbs (56.9 kg)
- Minimum flat for door: 3" (76 mm)
- Threshold height: 3-1/2" (89 mm)
- Maximum door height: 70-1/2" (1791 mm)
- Maximum door width: 56-5/8" (1438 mm)

**Notes**

- Install this product according to the installation instructions.
- Studs should be positioned roughly as shown.
- Double studding is recommended for pivot shower door installations.