



# Standard Framed Sliding Shower Door 695B-48

## Features

- Framed
- 1/8" glass
- Towel bar
- Out-of-plumb adjustability
- Tempered glass ensures maximum safety and durability
- Anodized aluminum prevents rusting and corrosion

## Installation

- Not for use in hospitality.
- For residential use only.

## Included Components

Additional Components:  
Hardware kit



## Codes/Standards

ANSI Z97.1  
CPSC 16CFR 1201

## STERLING® Warranty - Bath and Shower Doors

See website for detailed warranty information.

## Available Colors/Finishes

*Color tiles intended for reference only.*

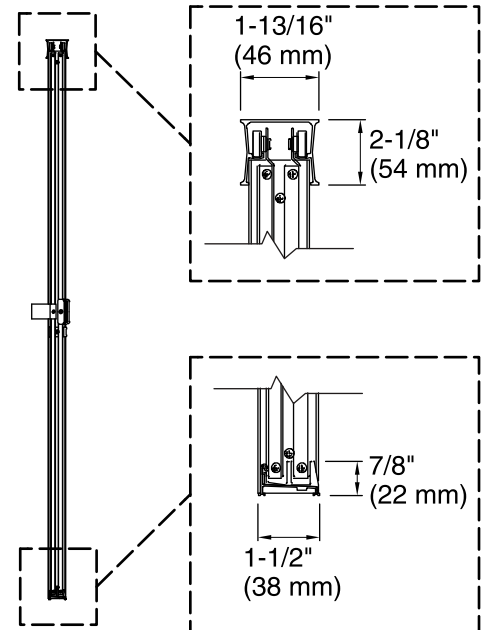
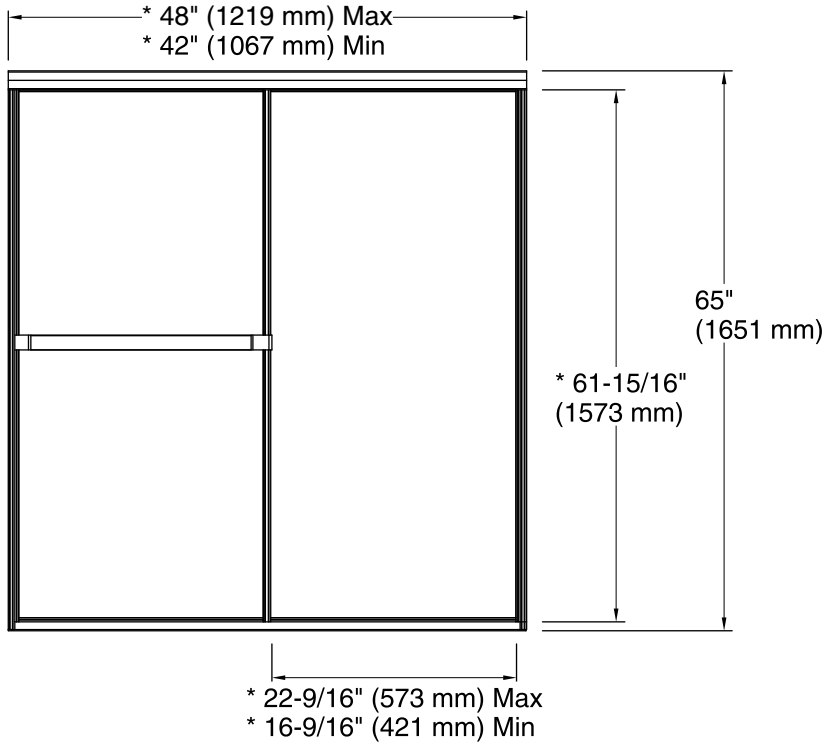
Color	Code	Description
-------	------	-------------

	S	
--	---	--

## Available Glass Options

Code	Description
------	-------------

	Hammered
--	----------



\* Walk-through

**Technical Information**

All product dimensions are nominal.  
 Installation type: For shower base installation  
 Opening Width - Min: 42" (1067 mm)  
 Opening Width - Max: 48" (1219 mm)  
 Walk-through - Min: 16-9/16" (421 mm)  
 Walk-through - Max: 22-9/16" (573 mm)  
 Glass thickness: 1/8" (3 mm)

**Notes**

Install this product according to the installation guide.  
 The vertical opening should be a minimum of 66-1/2" (1689 mm) to allow for installation clearance.