



# Finesse™

## Framed Pivot Shower Door

### 6505-30

#### Features

- Framed
- 1/8" glass
- Exterior towel bar
- Out-of-plumb adjustability
- Tempered glass ensures maximum safety and durability
- Anodized aluminum prevents rusting and corrosion

#### Installation

- Not for use in hospitality.
- For residential use only.

#### Included Components

Additional Components:  
Hardware kit



#### Codes/Standards

ANSI Z97.1  
CPSC 16CFR 1201

#### STERLING® Warranty - Bath and Shower Doors

See website for detailed warranty information.

#### Available Colors/Finishes

*Color tiles intended for reference only.*

Color	Code	Description
-------	------	-------------

	DR	
--	----	--

#### Available Glass Options

Code	Description
------	-------------

	Rain
--	------

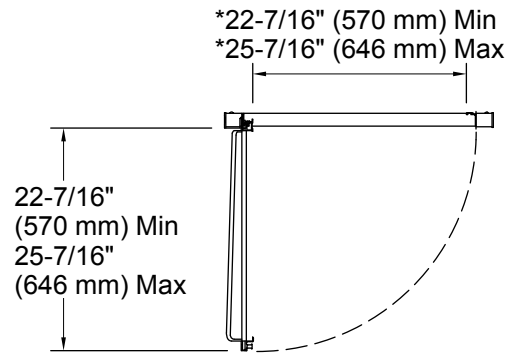
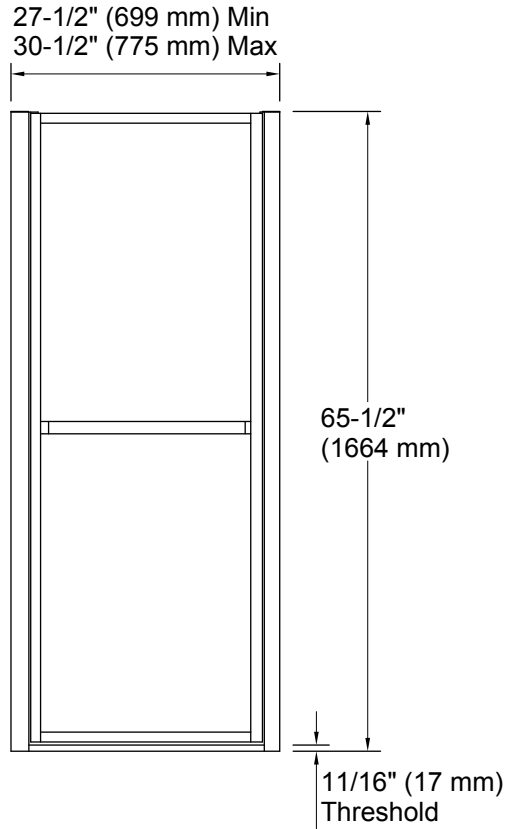
---

1-800-STERLING (1-800-783-7546)

Kohler Co. reserves the right to make revisions without notice to product specifications.

For the most current Specification Sheet, go to [www.sterlingplumbing.com](http://www.sterlingplumbing.com).

4-25-2019 23:36 - US/CA



**\*Walk-through**

**Technical Information**

All product dimensions are nominal.

Installation type: For shower base installation

Opening Width - Min: 27-1/2" (699 mm)

Opening Width - Max: 30-1/2" (775 mm)

Walk-through - Min: 22-7/16" (570 mm)

Walk-through - Max: 25-7/16" (646 mm)

Glass thickness: 1/8" (3 mm)

**Notes**

Install this product according to the installation guide.

The vertical opening should be a minimum of 66" (1676 mm) to allow for installation clearance.