



# Finesse™ Peak®

## Headerless Frameless Pivot Shower Door

### 5699-33

#### Features

- Heavy 5/16" glass for strength and stability
- CleanCoat® technology creates a barrier between the water and the glass to help keep the door looking like new
- 3/8" (10 mm) out of plumb adjustability allows for easy installation.
- Left or right hand installation
- Tempered glass ensures maximum safety and durability

#### Installation

- Not for use in hospitality.
- For residential use only.

#### Included Components

Additional Components:  
Hardware kit



#### Codes/Standards

ANSI Z97.1  
CPSC 16CFR 1201

#### STERLING® Warranty - Bath and Shower Doors

See website for detailed warranty information.

#### Available Colors/Finishes

*Color tiles intended for reference only.*

Color	Code	Description
-------	------	-------------

ADR

N

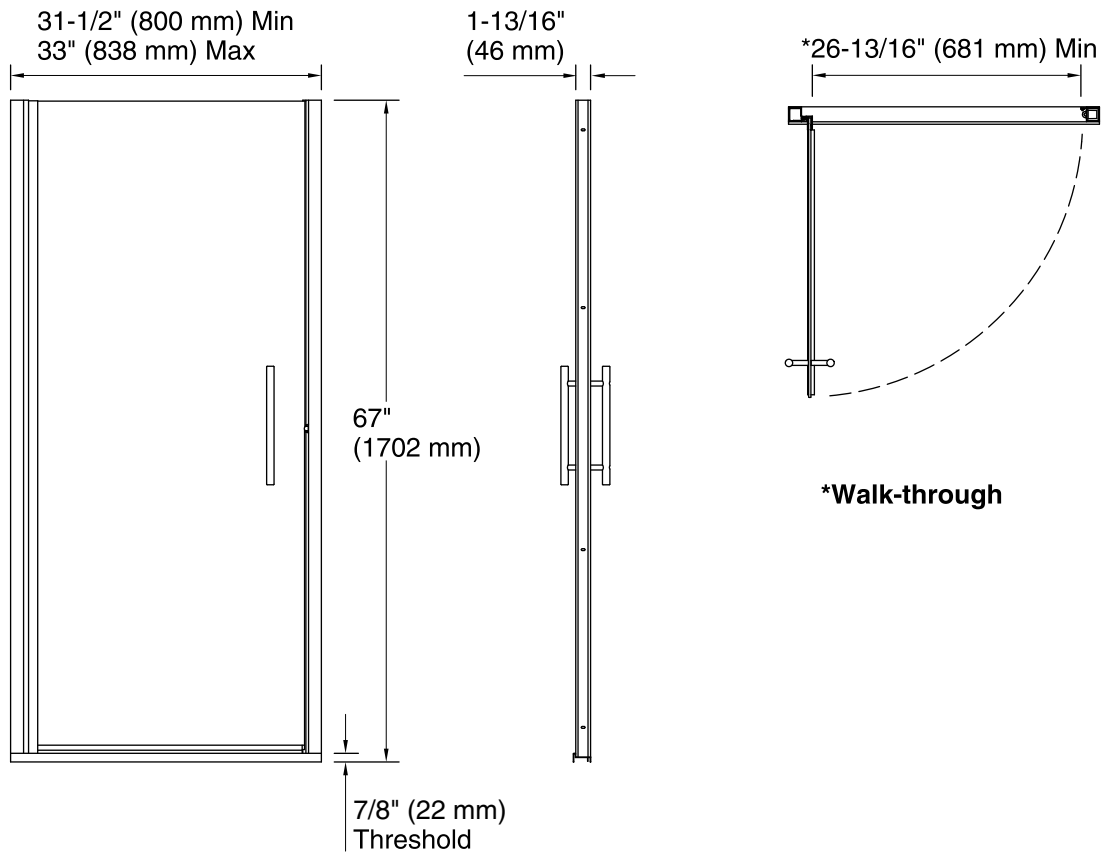
S

#### Available Glass Options

Code	Description
------	-------------

G05 Clear

G03 Frosted



**Technical Information**

All product dimensions are nominal.  
 Installation type: For shower base installation  
 Opening Width - Min: 31-1/2" (800 mm)  
 Opening Width - Max: 33" (838 mm)  
 Walk-through - Min: 26-13/16" (681 mm)  
 Glass thickness: 5/16" (8 mm)  
 Glass coating: CleanCoat®

**Notes**

Install this product according to the installation instructions.  
 The vertical opening should be a minimum of 67" (1702 mm) to allow for installation clearance.