

# SPEAKMAN® SA-2007

## Neo™ Towel Bar

### FEATURES:

- Brass construction
- Modern design
- Mounting hardware included

### FINISH:



PC BN

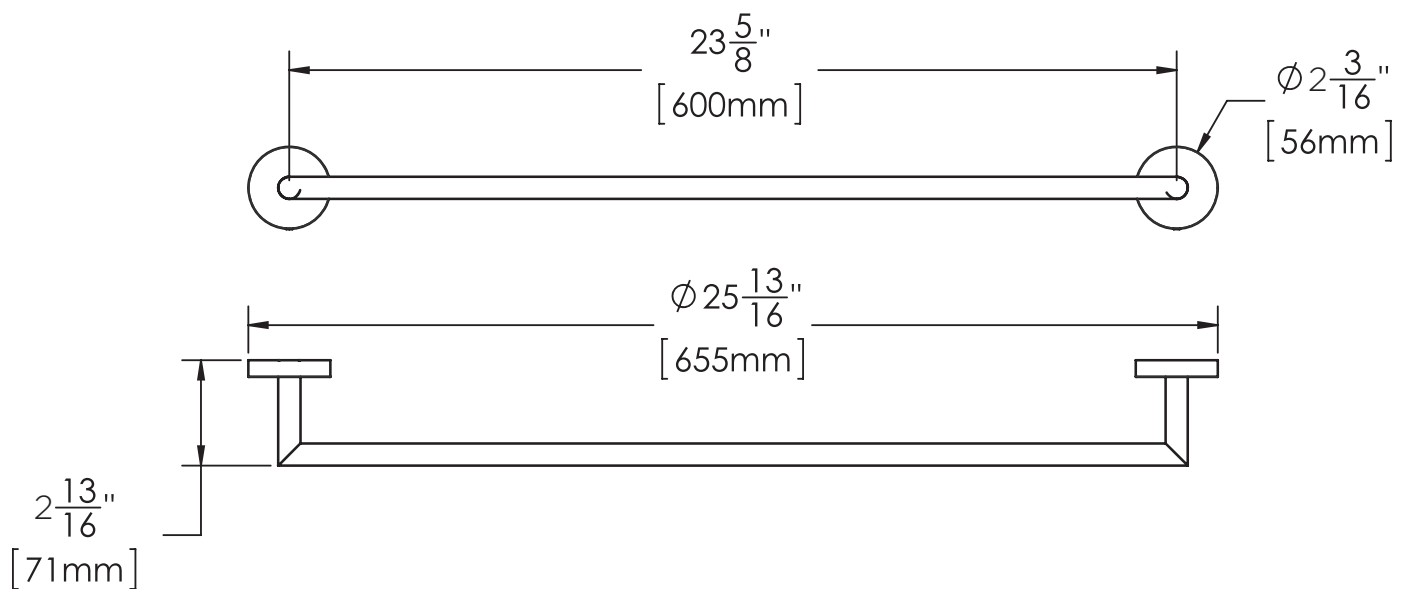


### WARRANTY:

- 1 year limited

### DIMENSIONS:

NOTE: 1. All dimensions are in inches (millimeters) unless otherwise specified and are subject to change without notice.



Architect/Engineer Approval Space:

SPEAKMAN  
400 ANCHOR MILL ROAD  
NEW CASTLE, DE 19720

P: 800-537-2107  
F: 800-977-2747  
W: WWW.SPEAKMAN.COM  
R: JANUARY 2018