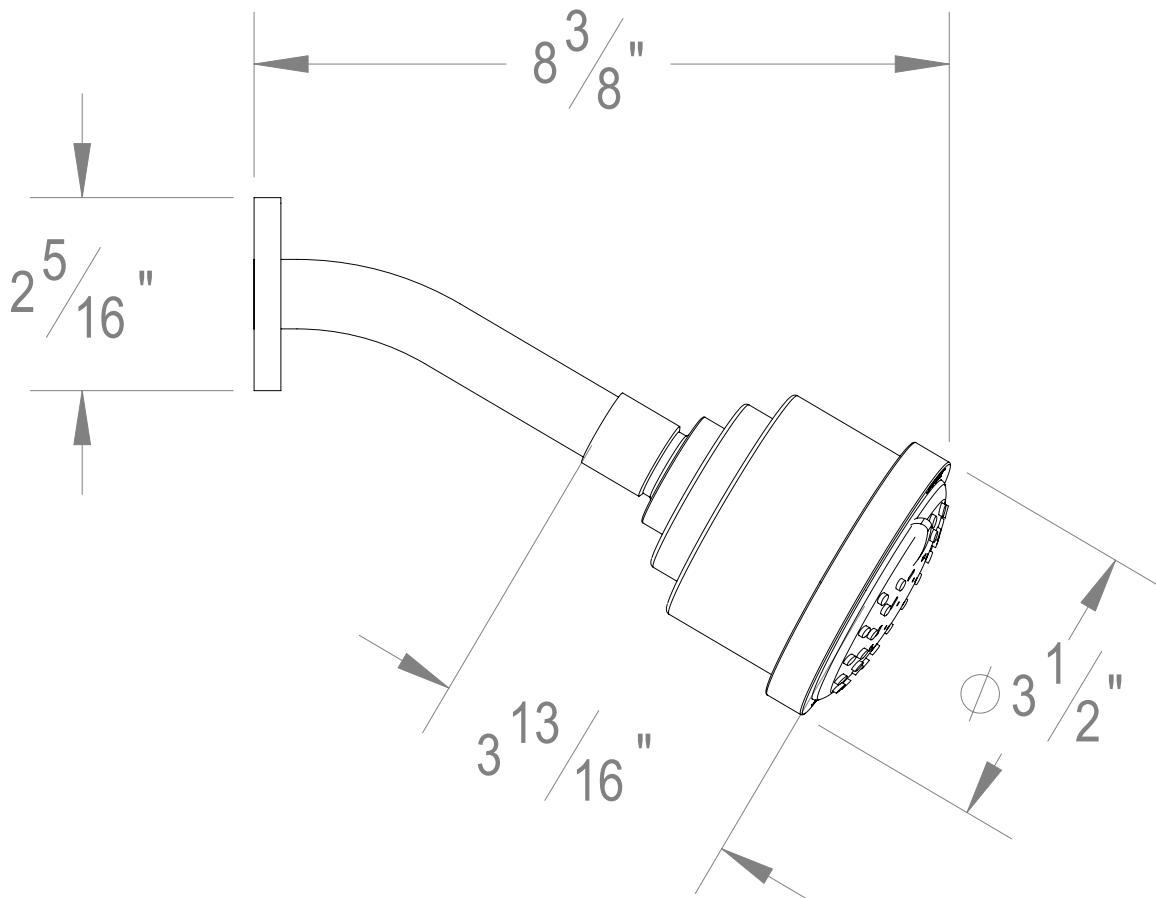


PRODUCT SPECIFICATION SHEET

ITEM # 708547

Cylindrical shower head with arm and round flange

- 3 functions: soft, normal and massage Sprays
- 1/2" NPT male connection
- 2.5 GPM (CA 2.0 GPM - CALGreen Compliant)



The measurements shown are for reference only. Products and specifications shown are subject to change without notice.