

Features

- Solid oak truss beam design
- Open storage shelf

Materials & Construction

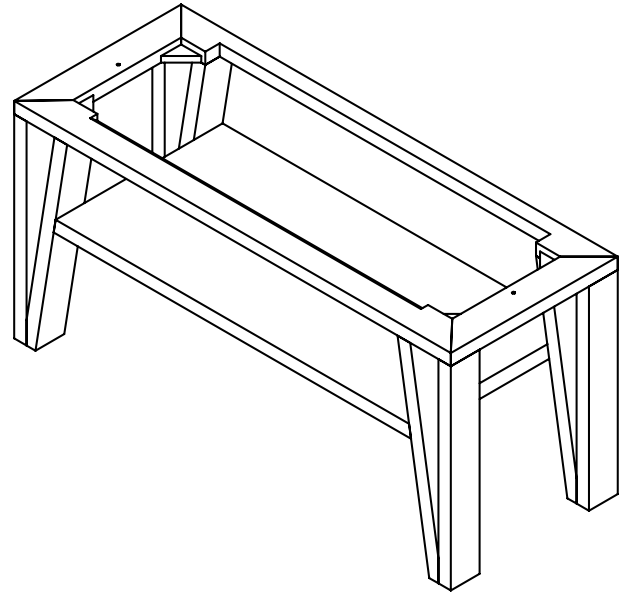
- Solid wood and veneer construction
- Durable, moisture resistant polyurethane finish
- Adjustable leveling feet

Options

- Available in:
 CVBO60203, Light Gray Oak
 CVBO60206, Light Burnt Oak
- Coordinating mineral cast sink with infinity drain, TA60MDO___-8CS9
- Coordinating mirrors available

Dimensions

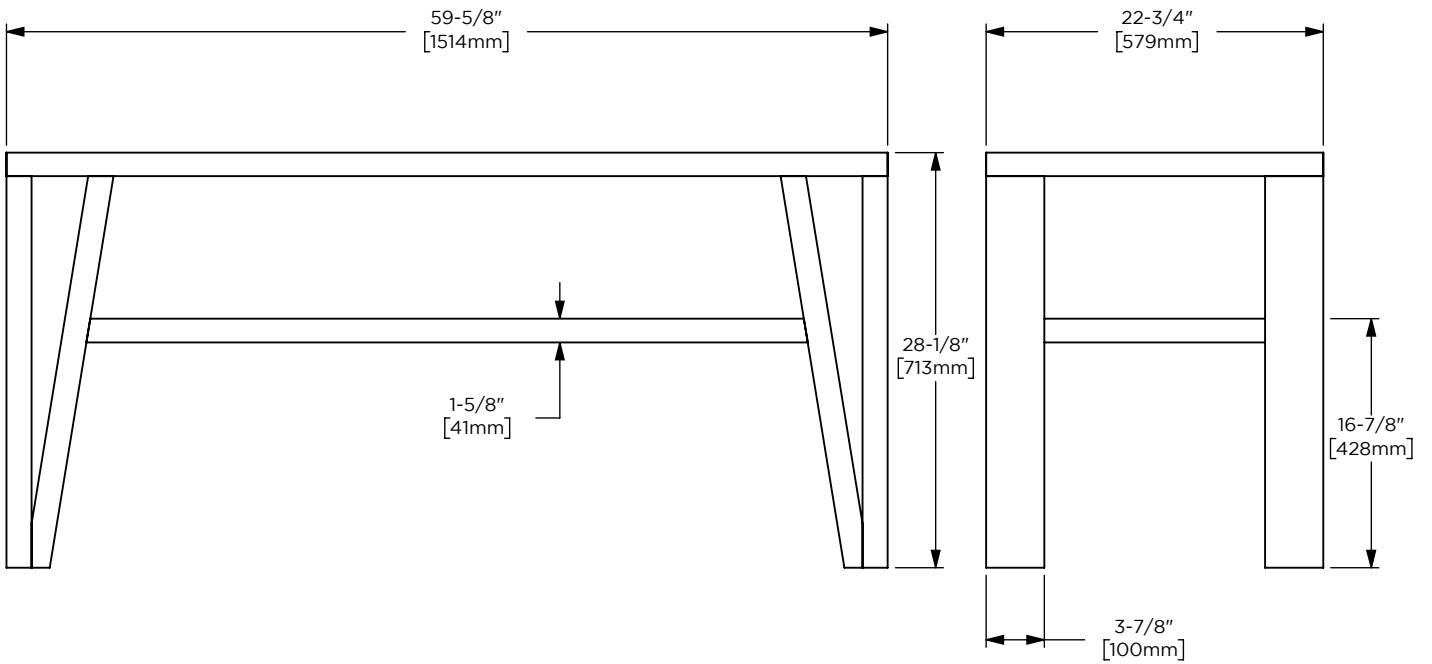
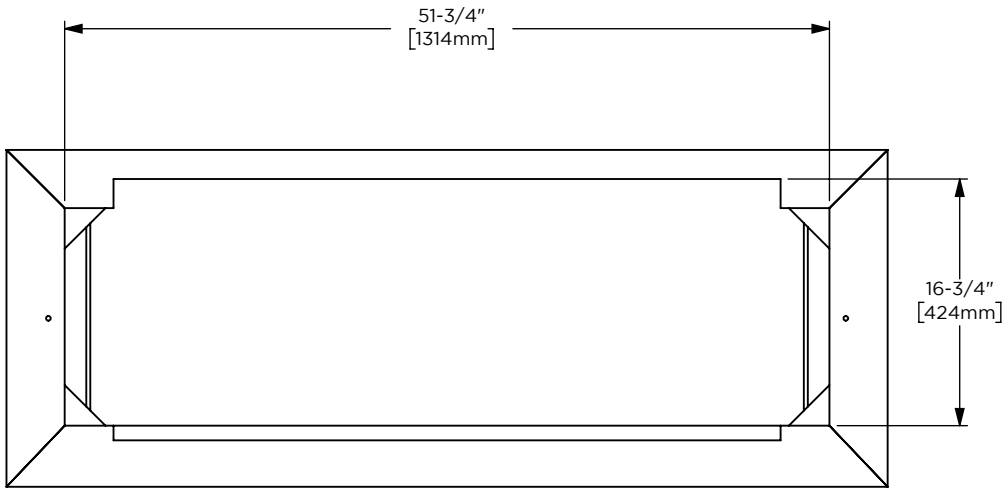
Width: 59-5/8"
 Height: 28-1/8"
 Depth: 22-3/4"



Model Number Key

PRODUCT LINE	CATEGORY	COLLECTION	WIDTH	FINISH OPTIONS	OPTIONS
C = Craft Series	V = Vanity	BO = Bodo	60"	(See above)	(See above)

Bodo 60" Vanity CVBO60



Features

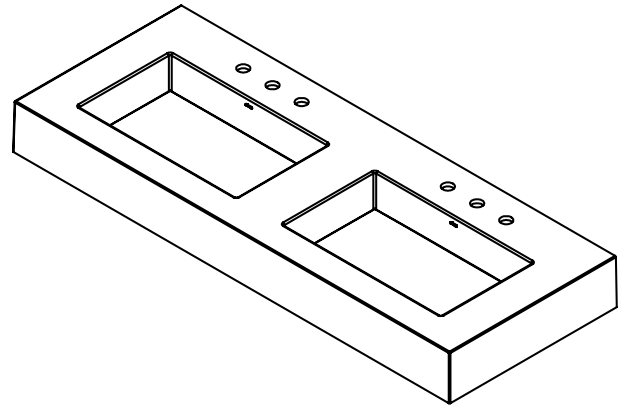
- Mineral cast integrated sink and top
- Removable infinity drain cover

Options

- Available finish:
102, Matte White
- Pairs with Craft Series Bodo & Skaarsgard 60" vanities

Dimensions

Width: 60"
 Height: 6"
 Depth: 23"



Model Number Key

CATEGORY	DEPTH	WIDTH	LAV TYPE	OVERFLOW	COLORS	DASH	FAUCET HOLES	OPTIONS
T = Top	A = 23" Depth Fabricated Top	60"	M = Machined/ Molded	D = Dual/Double Sink (60in Only)	(See above)	-	8 = 3 Holes Drilled (Centered on Lav Location)	(See above)

60" Integrated Basin TA60MDOXXX-8CS9

