

Please go to [www.quezel.com](http://www.quezel.com) for product cleaning tips. Go to the **Care + Maintenance** selection.

**Tools Required:** Flathead screwdriver, Phillips screwdriver, pliers, wire cutters, wire strippers, electrical tape, safety glasses.

**Light Source:** (3) A19 Medium Base Vintage Bulbs 75W Maximum, bulbs included.

**Estimated Assembly Time:** 20-30 minutes

**Preparation:** Identify and inspect all parts before beginning installation. Check package content list and diagrams below to ensure all parts are present. If any parts are missing or damaged, do not attempt to assemble, install, or operate the fixture. Contact your original place of purchase.

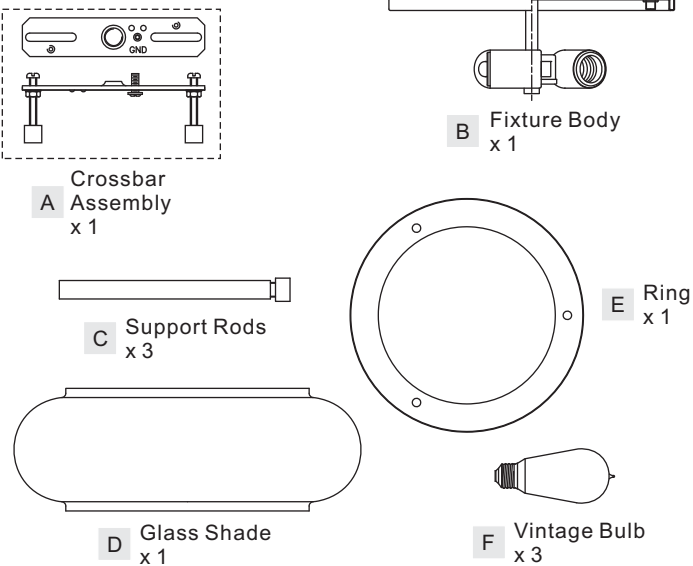
### ⚠ Warnings and Cautions

Turn off electricity at circuit breaker or main fuse box before installation. Consult a licensed electrician if in doubt.

These instructions are provided for your safety. It is very important you read them completely before installing the fixture. We strongly recommend that a licensed, professional electrician perform the installation.

Disconnect fixture from power source before replacing bulbs. Make sure bulbs are given sufficient time to cool before removal.

### Package Contents



### (Step 2 Continued)

preassembled hex nut and lock washer and then screwing the mounting screws in or out of the crossbar until the correct length is achieved. Once the ceiling canopy and Fixture Body (B) is secure, remove the mounting ball and Fixture Body (B).

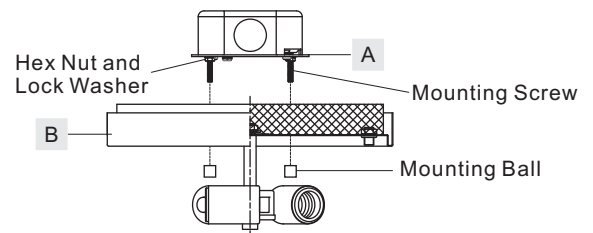


Figure 2

### STEP 1 - Installing the Crossbar Assembly

- Pass the supply wires from outlet box through the Crossbar Assembly (A). Attach the Crossbar Assembly (A) to the Outlet Box with the head of the Green Ground Screw facing you. Secure the Crossbar Assembly (A) with Outlet Box Screws (not included). Tighten until snug.

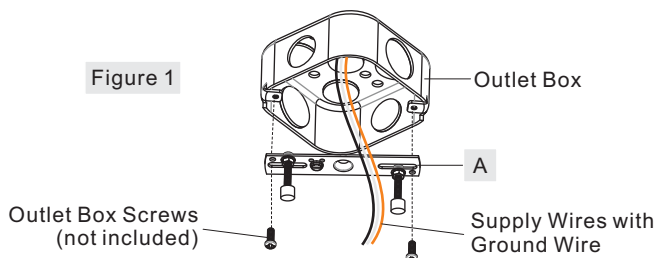


Figure 1

### STEP 2 - Test Fit the Fixture Body to the Crossbar Assembly

- Remove the mounting balls from the Crossbar Assembly (A). Place the ceiling canopy and Fixture Body (B) onto the Crossbar Assembly (A) and secure with mounting balls. Note: The ceiling canopy and Fixture Body (B) should be snug against the ceiling and held tight with the mounting balls. If it is not, adjust the length of the mounting screws on the Crossbar Assembly (A) by unscrewing the

### STEP 3 - Wire Connections

- Wrap bare or green ground wire around green ground screw on the crossbar, no less than 2 inches from the end of the wire. Tighten the green ground screw.
- Use standard wire connectors (not included) to make all wire connections. Twist connectors until wires are tightly joined together. Wrap each connection with approved electrical tape and carefully stuff all the connected wires into the Outlet Box.

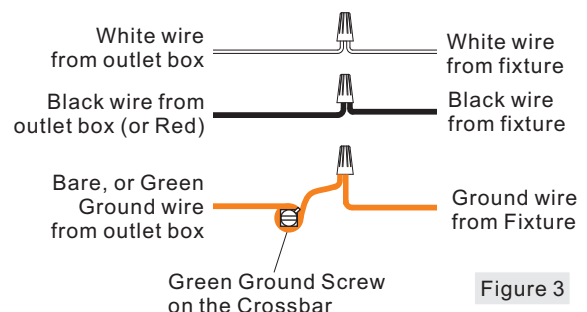


Figure 3

#### STEP 4 - Install the Fixture Body

A. Place the ceiling canopy of the Fixture Body (B) onto mounting screws and secure with previously removed mounting ball. Hand tighten until snug.

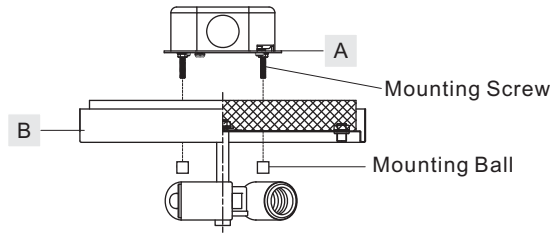


Figure 4

#### STEP 5 - Install Support Rods, Glass Shade and Ring

- A. Thread Support Rods (C) onto nipples on the bottom of the Fixture Body (B). Hand tighten until snug.
- B. Remove lock balls from bottom ends of Support Rods (C).
- C. Place the Glass Shade (D) over Support Rods (C) and place the Ring (E) onto the Support Rods (C). Secure them to the Fixture Body (B) by threading previously lock balls onto Support Rods (C). Hand tighten until snug.

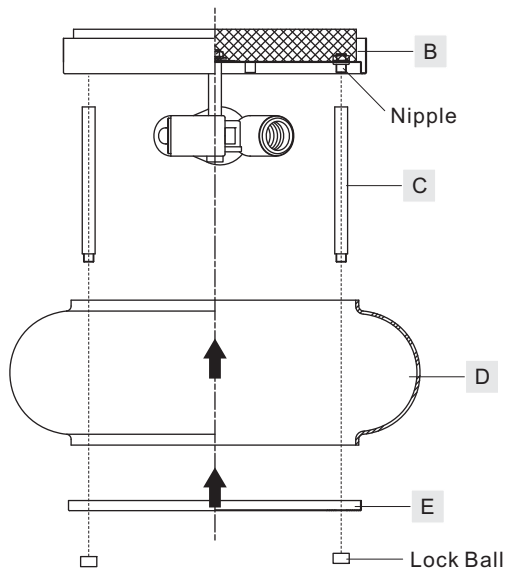


Figure 5

#### STEP 6 - Install Bulbs

A. Insert vintage bulbs (F) onto sockets and screw snugly into place.

Your fixture is now assembled and ready to use. Enjoy!

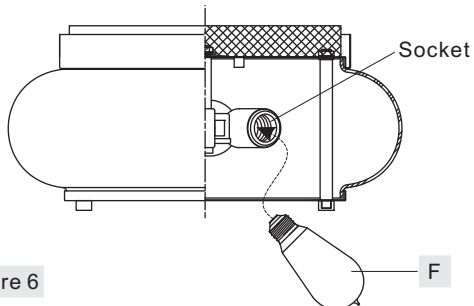
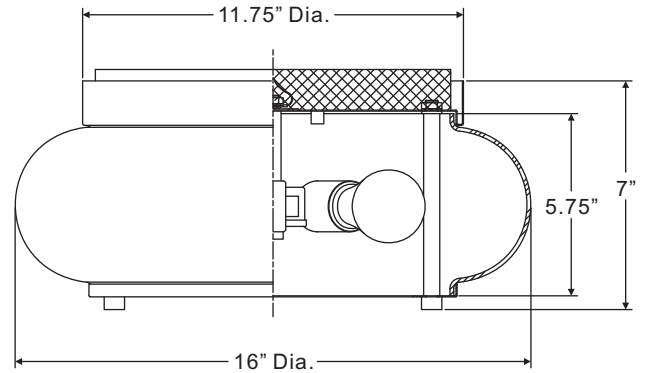
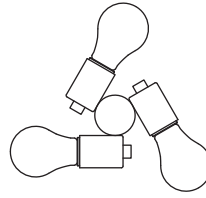
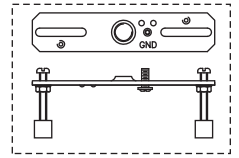


Figure 6

TRG1616BN

FINISH: BRUSHED NICKEL



NOTE: ALL DIMENSIONS ARE ROUNDED UP TO THE NEAREST 1/4"