

Tools Required: Flathead screwdriver, Phillips screwdriver, pliers, wire cutters, wire strippers, electrical tape, safety glasses.

Bulb Recommended: (2) Medium Base 100W Maximum, Alternate bulb (2) 23W CFL

Estimated Assembly Time: 20-30 minutes

Preparation: Identify and inspect all parts before beginning installation. Check package content list and diagrams below to be sure all parts are present. If any parts are missing or damaged, do not attempt to assemble, install, or operate the fixture. Contact customer service for replacement parts.

⚠ Warnings and Cautions

Turn off electricity at circuit breaker or main fuse box before installation. Consult a licensed electrician if in doubt.

These instructions are provided for your safety. It is very important you read them completely before installing the fixture. We strongly recommend that a licensed, professional electrician perform the installation.

Disconnect fixture from power source before replacing bulbs. Make sure bulbs are given sufficient time to cool before removal. Do not subject glass parts to any shock while in operation or shattering may result.

⚠ Care of Tiffany Style Shade

A new tiffany lamp shade has an oil film applied to the shade that protects the tiffany shade from scratches during shipment. If the oil applied is too heavy you can remove the excess oil film with a paper towel. Gently wipe away the excess oil.

For general cleaning of tiffany shades use a gentle lemon oil-based furniture polish applied to a soft cloth and wipe gently.

If a white powder appears on the soldered joints of the tiffany shade this is a normal oxidation process. Use a small amount of lemon oil or mineral oil applied directly to oxidized areas and the soldered area will return to like new.

STEP 1 – Install Nipple with HEX Nut, Shade and Bulb

- Thread the Socket Assembly, the Threaded Rods, the Rod and the Base together as shown. Hand tighten until snug.
- Pull the cord from the Base as you assemble the parts together to remove the excess cord between parts.
- Thread hex nut end of Nipple with Hex Nut into Hex Coupling on the top of Socket Assembly.
- Place Spacer and Check Ring over the Nipple. Secure by thread Small Knurled Nut onto the Nipple, hand tighten until snug.
- Thread Big Knurled Nut onto Nipple. Hand tighten until snug.
- Place the Flat Washer and the Shade over the Nipple. Adjust the Big Knurled Nut to proper location for the Flat Washer, the Shade and Finial. secure by thread Finial onto the Nipple, hand tighten until snug.
- This fixture uses standard bulb with medium base. Maximum 100 watts. Insert bulb and screw snugly into place.

Your fixture is now assembled and ready to use. Enjoy!

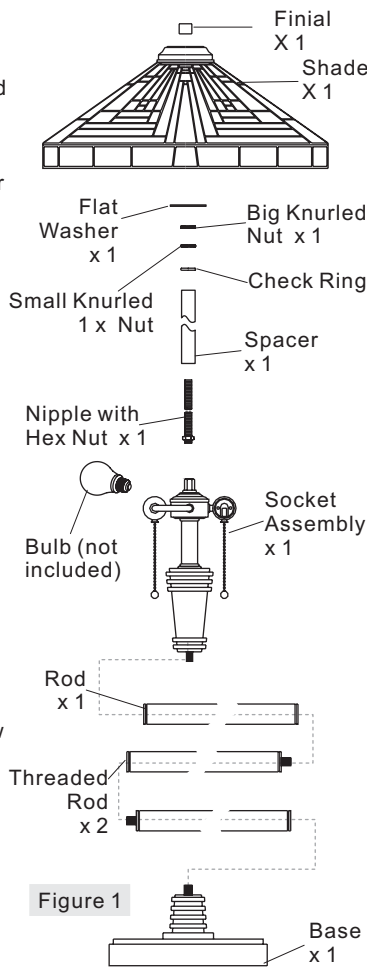
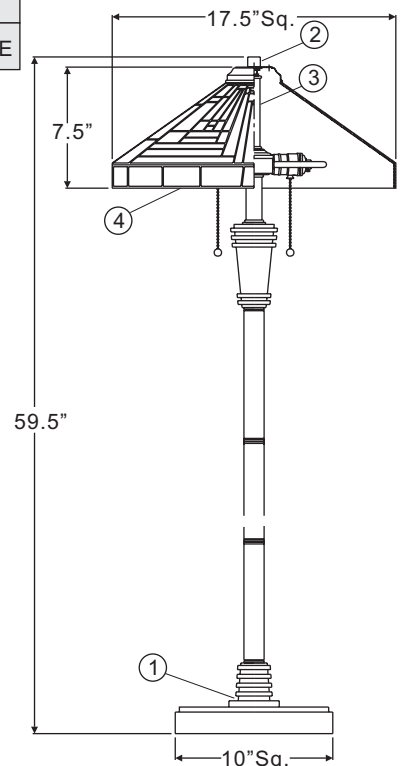
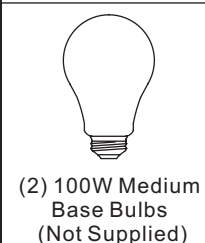


Figure 1

TF885F
FINISH: VINTAGE BRONZE



NOTE: ALL DIMENSIONS ARE ROUNDED UP TO THE NEAREST 1/2"



(2) 100W Medium Base Bulbs (Not Supplied)

NO.	PART NUMBER	REPLACEMENT PART DESCRIPTION	REQ.
1	1885FTF	BASE FOR TF885F	1
2	M1373FIVA	FINIAL VINTAGE BRONZE 1.04H X .98SQ	1
3	M2404KIT	KIT SHADE VINTAGE BRONZE FOR TF885F	1
4	G2532SH	SHADE TIFFANY 18"SQ FOR TF885F	1

Thank you for purchasing a Quoizel product.
Need assistance with parts or assembly? Call Quoizel customer service at 1-631-273-2700
or visit us on-line at www.quoizel.com