

Please go to [www. quozel. com](http://www. quozel. com) for product cleaning tips. Go to the **Care + Maintenance** selection.

**Tools Required:** None.

**Bulb Recommended:** (2) Medium Base Bulbs 100W Maximum

**Estimated Assembly Time:** 20-30 minutes

**Preparation:** Identify and inspect all parts before beginning installation. Check package content list and diagrams below to be sure all parts are present. If any parts are missing or damaged, do not attempt to assemble, install, or operate the fixture. Contact customer service for replacement parts.

**⚠ Warnings and Cautions**

Turn off electricity at circuit breaker or main fuse box before installation. Consult a licensed electrician if in doubt.

These instructions are provided for your safety. It is very important you read them completely before installing the fixture. We strongly recommend that a licensed, professional electrician perform the installation.

Disconnect fixture from power source before replacing bulbs. Make sure bulbs are given sufficient time to cool before removal.

**⚠ Care of Tiffany Style Shade**

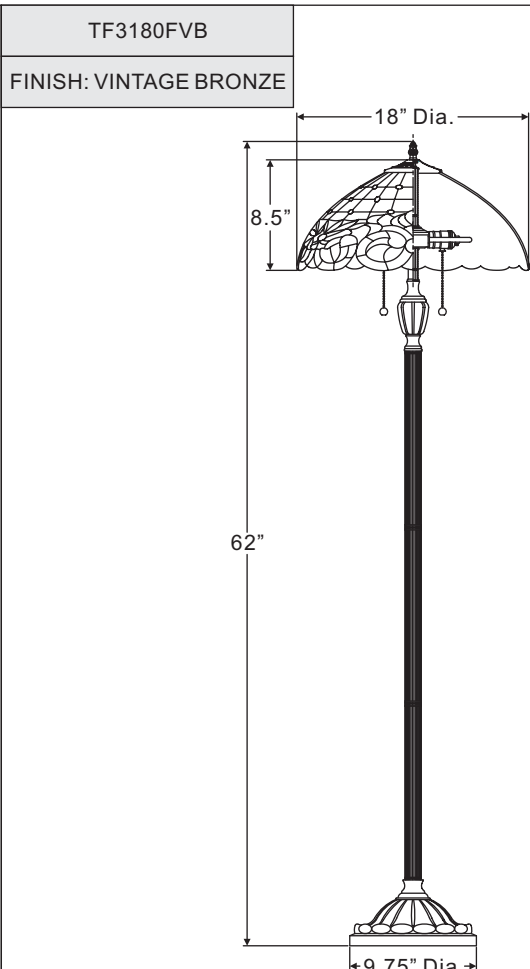
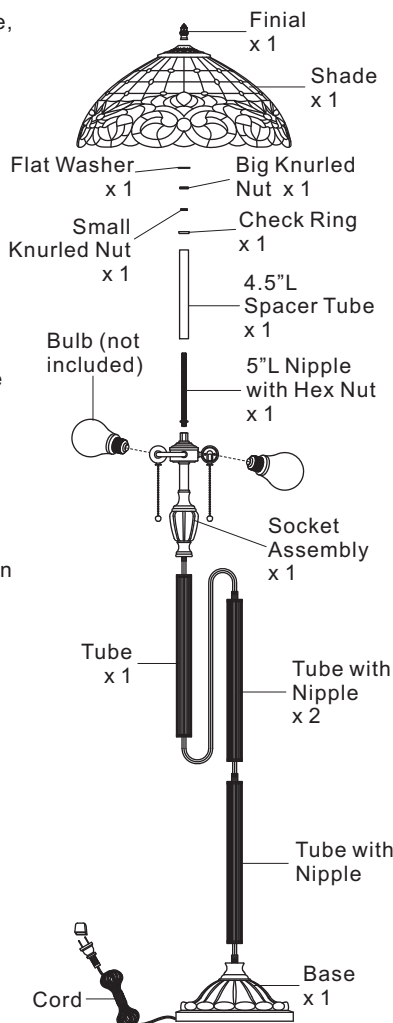
A new tiffany lamp shade has an oil film applied to the shade that protects the tiffany shade from scratches during shipment. If the oil applied is too heavy you can remove the excess oil film with a paper towel. Gently wipe away the excess oil.

For general cleaning of tiffany shades use a gentle lemon oil-based furniture polish applied to a soft cloth and wipe gently.

If a white powder appears on the soldered joints of the tiffany shade this is a normal oxidation process. Use a small amount of lemon oil or mineral oil applied directly to oxidized areas and the soldered area will return to like new.

- A. Thread Socket Assembly, Tube, Tubes with Nipple and Base together as shown. Hand tighten until snug. Pull cord from Base as you assemble parts together to remove the excess cord between parts.
- B. Thread the Hex Nut end of Nipple with Hex Nut into hex coupling on the top center of Socket Assembly. By using pliers, thread the Hex Nut against hex coupling and hand tighten until snug.
- C. Pass Spacer Tube and Check Ring over the top end of Nipple with Hex Nut and secure with Small Knurled Nut.
- D. Thread Big Knurled Nut onto Nipple and adjust it to proper location for rest components. Place Flat Washer and Shade over the top end of Nipple and secure with Finial. Hand tighten until snug.
- E. Insert bulbs onto sockets and screw snugly into place.

Your fixture is now assembled and ready to use. Enjoy!



NOTE: ALL DIMENSIONS ARE ROUNDED UP TO THE NEAREST 1/4"

Thank you for purchasing a Quoizel product.  
 Need assistance with parts or assembly? Call Quoizel customer service at 1-800-645-3184  
 or visit us on-line at [www. quozel. com](http://www. quozel. com)