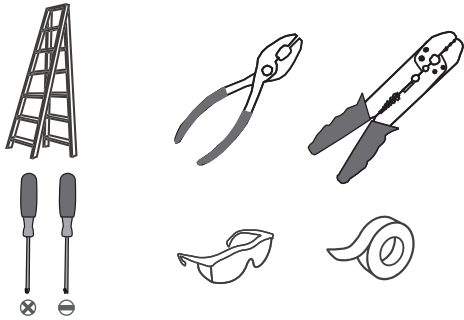
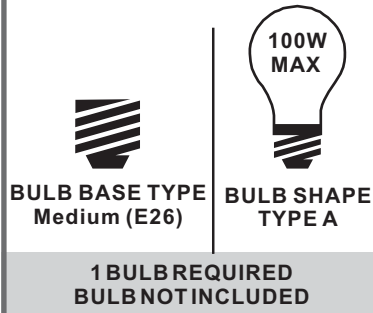


**Tools Required**



**Light Source**



**Fixture Height Adjustable  
19.25" to 55.25"**

**⚠ Warnings and Cautions**

Turn off the electricity at the circuit breaker before installation. Consult a licensed electrician if in doubt about installation.

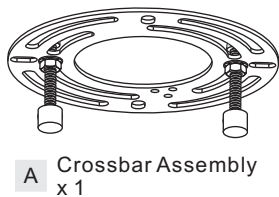
Turn off power to the fixture and allow the bulbs to cool before replacing.

**Package Contents**

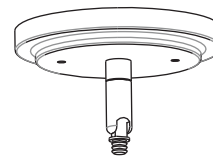
**Preparation:** Identify and inspect all parts before beginning the installation.

Missing or damaged parts? Contact your original place of purchase.

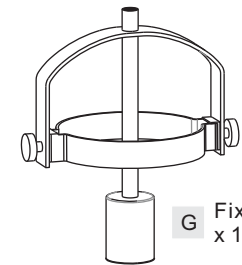
**PARTS BAG**



- B** Outlet Box Screw x 2
- C** Wire Connector x 3



**D** Ceiling Canopy x 1



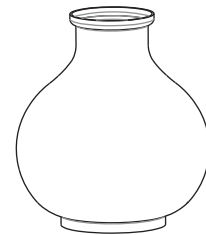
**G** Fixture Body x 1



**E** 6" L Rod x 2



**F** 12" L Rod x 2



**H** Shade x 1

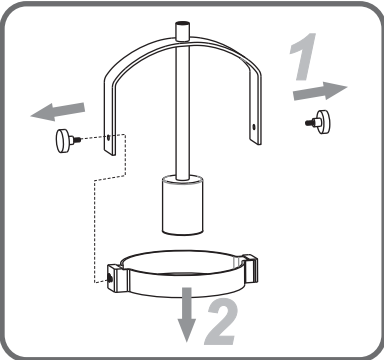
**Table of Contents**

Shade	Crossbar Assembly	Downrod	Wiring	Ceiling Canopy	Bulb
STEP 1	STEP 2	STEP 3	STEP 4	STEP 5	STEP 6

**STEP 1**

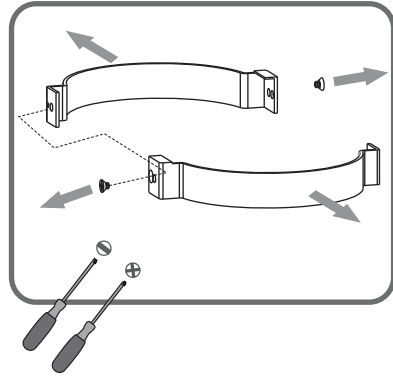
**1**

**Remove holder**



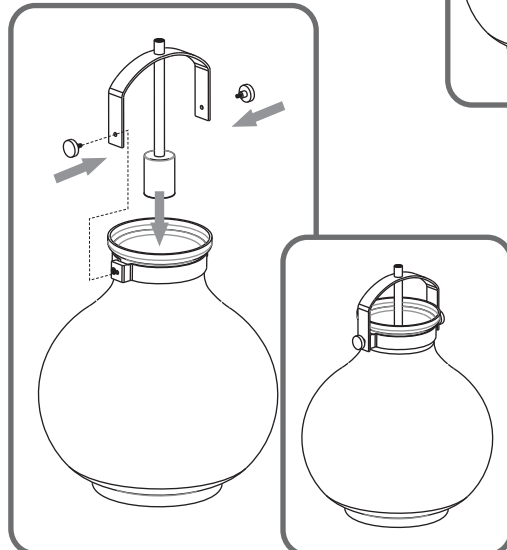
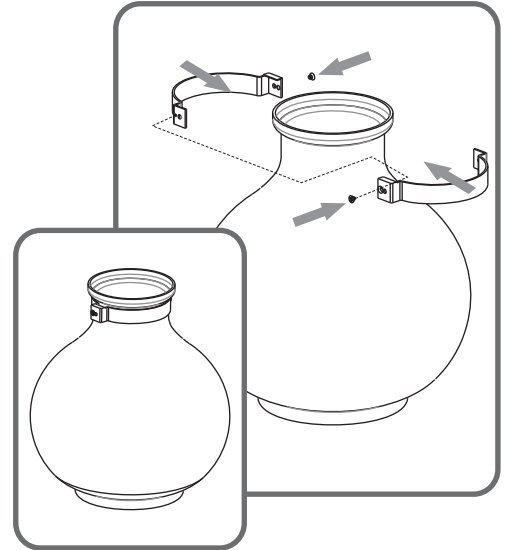
**2**

**Separate holders**



**3**

**Install holders to shade**



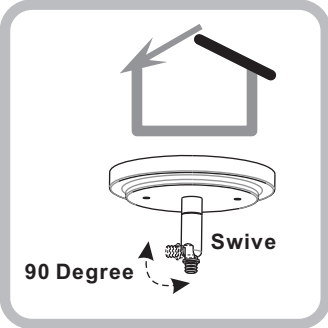
**Install arm to holders**

**4**

**STEP 2**

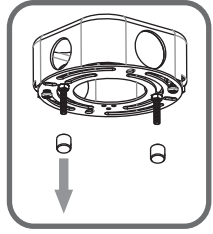
**1**

**Step 1  
Install crossbar assembly**

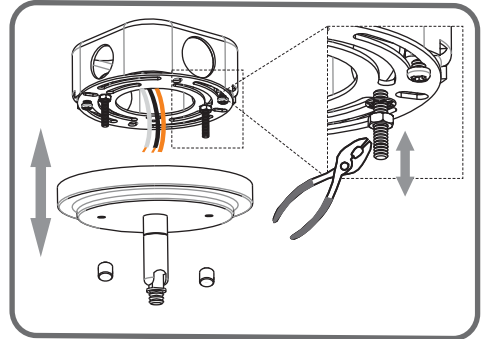


**2**

**Step 2 - 3  
Test fitting ceiling canopy to mounting screws**



**3**

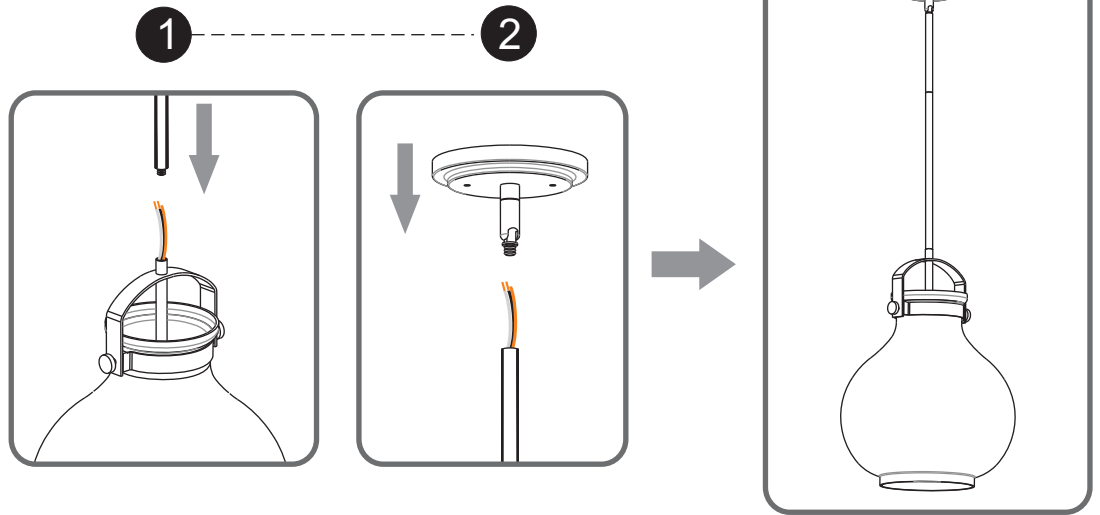
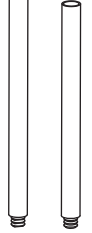


### STEP 3

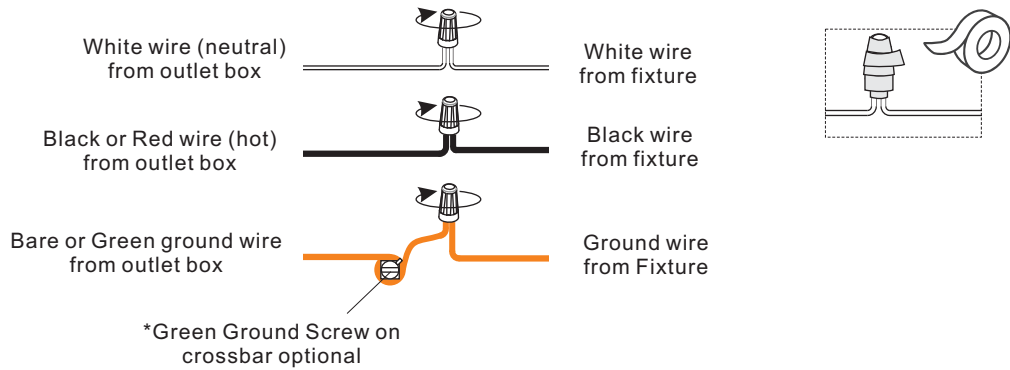
**Optional Rods**

**8' ceiling:**  
(2) 12"L rods

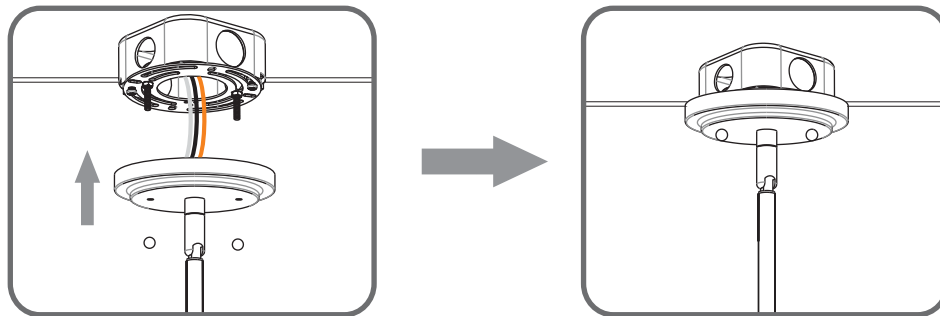
**9' ceiling:**  
(2) 6"L + (2) 12"L rods



### STEP 4



### STEP 5



### STEP 6

