

SAFETY INFORMATION

Please read and understand this entire manual before attempting to assemble, install or operate the product.

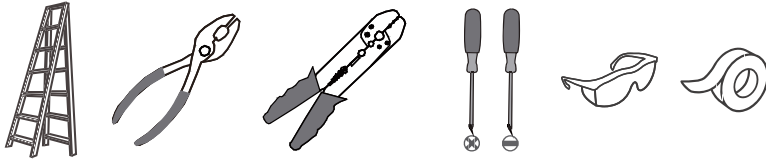
WARNING

- RISK OF ELECTRIC SHOCK - Before beginning installation, turn off electricity at the circuit breaker box or the main fuse box.
- RISK OF FIRE - Use bulbs specified by the markings and/or labels on the fixture.

CAUTION

- For your safety, read instructions completely before beginning installation.
- If in doubt about electrical installation, consult a licensed electrician.
- Turn off electricity to fixture before replacing the bulb(s).

TOOLS REQUIRED

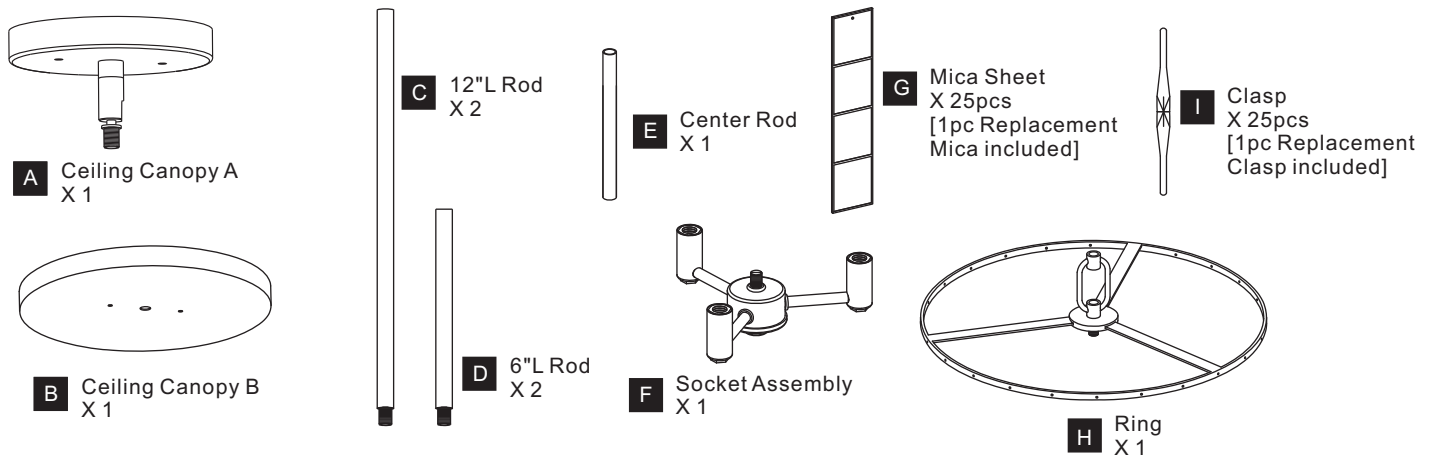


CARE AND MAINTENANCE

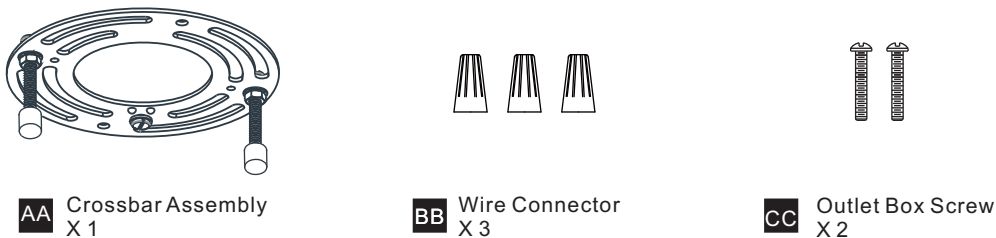
- Wipe clean using soft, dry cloth or static duster. Always avoid using harsh chemicals and abrasives to clean fixture as they may damage the finish.

If you need further assistance call Quozel Customer Care at 1-800-645-3184(9:00am - 5:00pm EST), or visit us on-line at www.quozel.com

PACKAGE CONTENTS



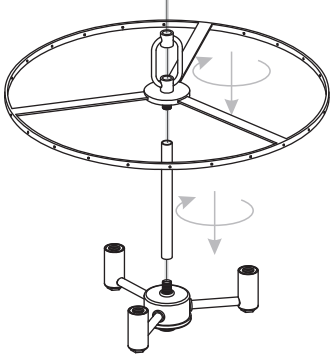
MOUNTING HARDWARE



INSTALLATION

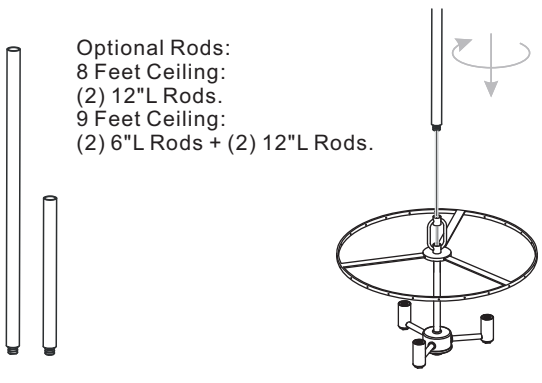
OPTION 1: PENDANT - SGLM2814MBK

1 Install Ring to Socket Assembly

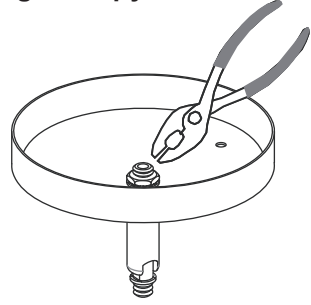


2 Install Rods

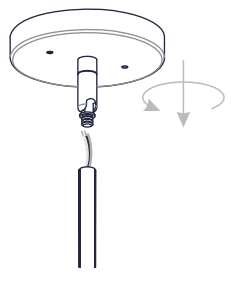
Optional Rods:
8 Feet Ceiling:
(2) 12"L Rods.
9 Feet Ceiling:
(2) 6"L Rods + (2) 12"L Rods.



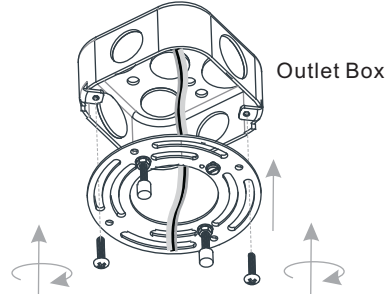
3 Tighten hex nut inside of the Ceiling Canopy A



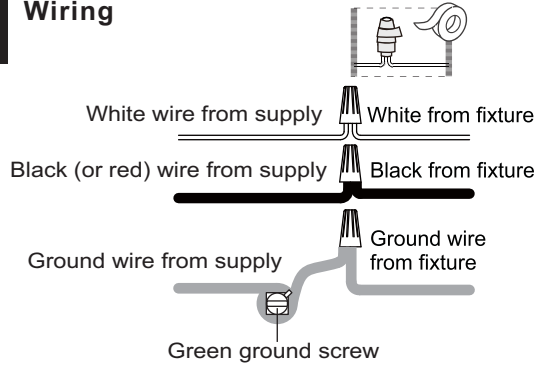
4 Install Ceiling Canopy A to Upper Rod



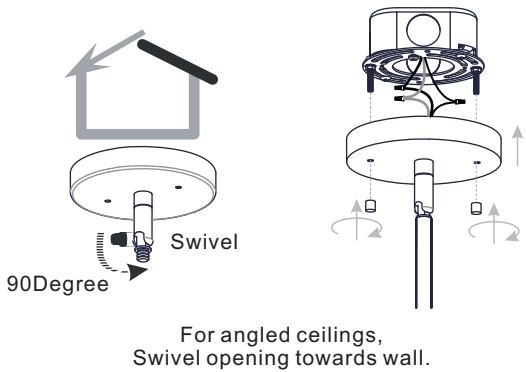
5 Install Crossbar Assembly



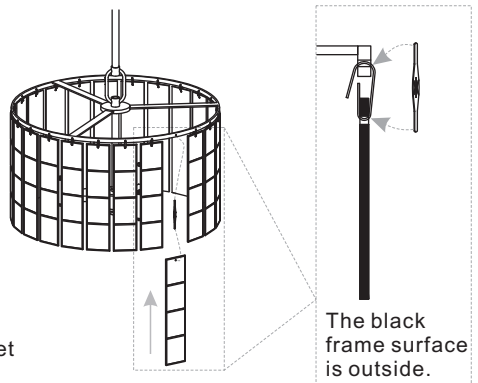
6 Wiring



7 Install Ceiling Canopy A to Crossbar Assembly



8 Install Mica Sheets



* Mica Sheet
X 25pcs
[1pc Replacement
Mica included]

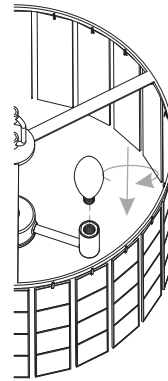
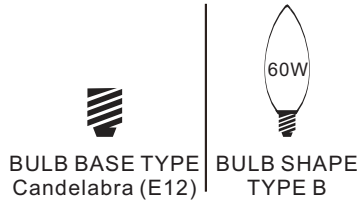
The black
frame surface
is outside.

INSTALLATION

9 Install Bulbs

Install three correct bulbs referring to fixture markings and/or labels for maximum wattage.

Recommended Bulb Type (not included):



INSTALLATION

IMPORTANT: This CONVERTIBLE fixture can be mounted as pendant light or semi-flush light. **DO NOT CUT SUPPLY WIRES** if you intend to use it as pendant light.

OPTION 2: SEMI-FLUSH SGLM1714MBK

* Set aside (2) 6"L Rods, (2) 12"L Rods since they are not required for the semi-flush installation.



1 Remove Swivel

*Ceiling Canopy A and Swivel since they are not required for the semi-flush installation.

2 Remove Loop

*Loop since they are not required for the semi-flush installation.

3 Install Ceiling Canopy B

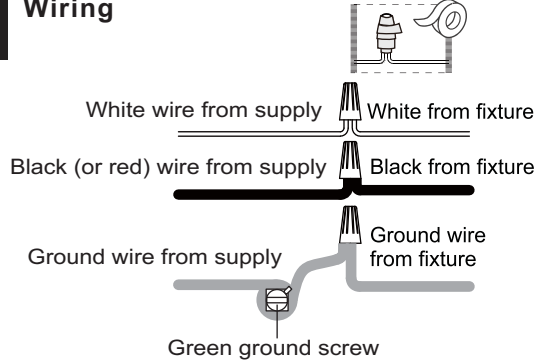
4 Install Ring to Socket Assembly

5 Install Crossbar Assembly

Outlet Box

INSTALLATION

6 Wiring



White wire from supply White from fixture

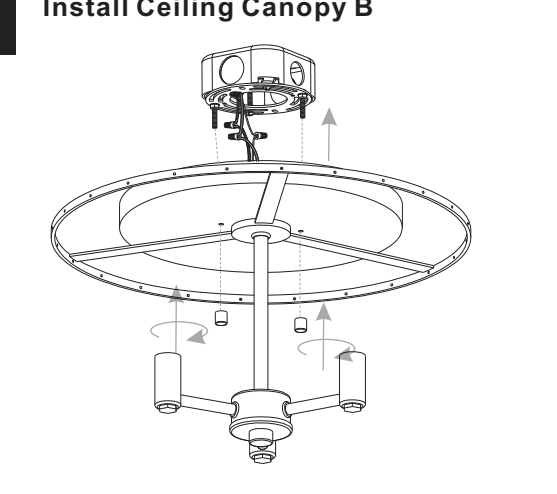
Black (or red) wire from supply Black from fixture

Ground wire from supply Ground wire from fixture

Green ground screw

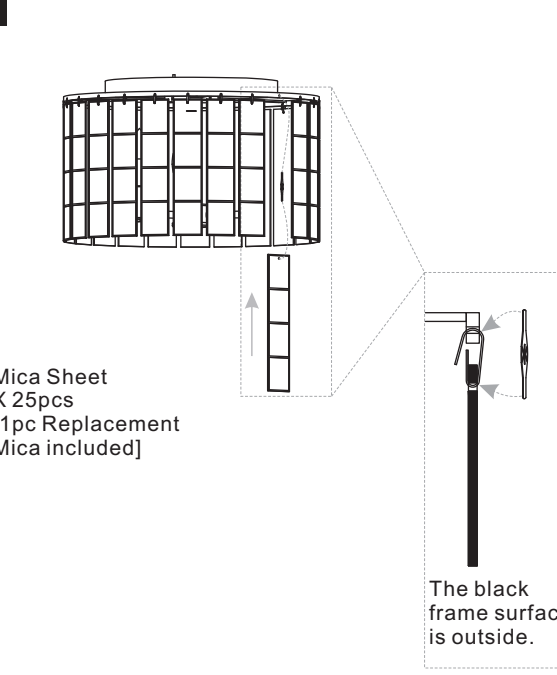
The diagram shows three pairs of wires being connected. The top pair consists of a white wire from the supply and a white wire from the fixture. The middle pair consists of a black (or red) wire from the supply and a black wire from the fixture. The bottom pair consists of a ground wire from the supply and a ground wire from the fixture. A green ground screw is shown at the bottom of the fixture wiring.

7 Install Ceiling Canopy B



The diagram illustrates the installation of the ceiling canopy. It shows a circular canopy being attached to a central mounting bracket. The canopy has a grid-like structure and is supported by a central stem. The mounting bracket is shown being secured to the ceiling.

8 Install Mica Sheets

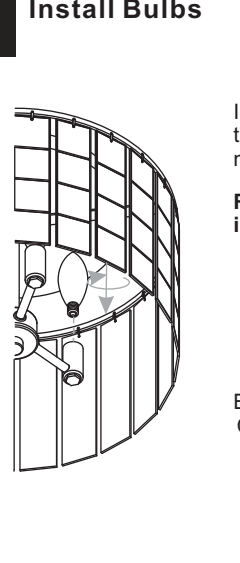


*Mica Sheet
X 25pcs
[1pc Replacement
Mica included]

The black frame surface is outside.


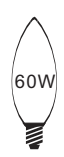
The diagram shows a cylindrical fixture frame with a grid-like structure. A mica sheet is being inserted into the frame. A close-up view shows the mica sheet being secured with a screw. The text indicates that the black frame surface is outside.

9 Install Bulbs



Install three correct bulbs referring to fixture markings and/or labels for maximum wattage.

Recommended Bulb Type (not included):

	
BULB BASE TYPE Candelabra (E12)	BULB SHAPE TYPE B

The diagram shows a close-up of the fixture's interior, where three bulbs are being installed. The bulbs are held in place by a central stem and three arms. The recommended bulb type is a Candelabra (E12) base with a Type B shape, 60W.

Your installation is now complete! Restore electricity and save this sheet for future reference.