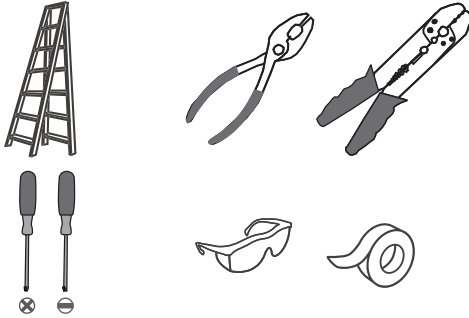


Tools Required



Light Source

32W
LED

**Fixture Height Adjustable
13.5" to 49.5"**

⚠ Warnings and Cautions

Turn off the electricity at the circuit breaker before installation. Consult a licensed electrician if in doubt about installation.

Package Contents

Preparation: Identify and inspect all parts before beginning the installation.
Missing or damaged parts? Contact your original place of purchase.

PARTS BAG

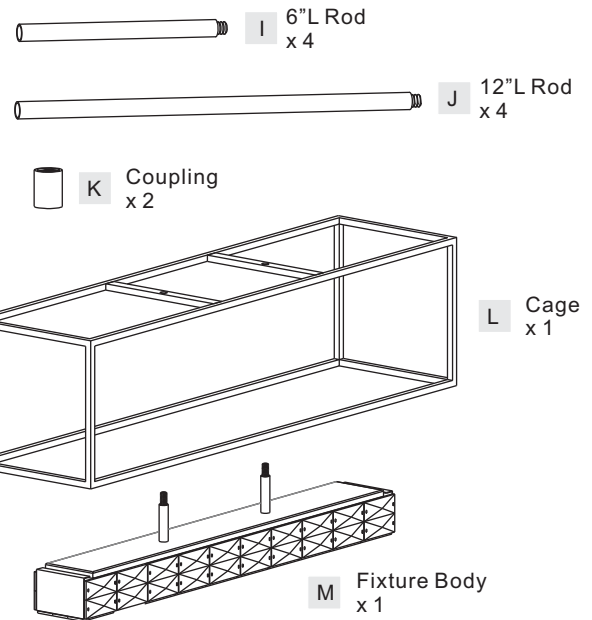
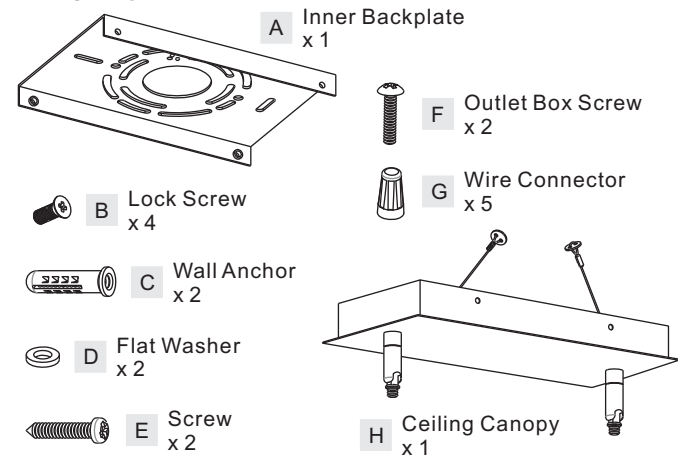
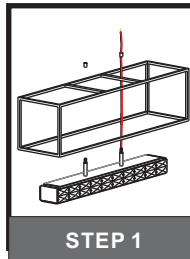


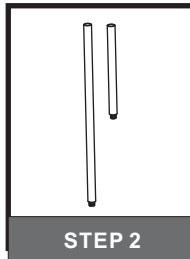
Table of Contents

Cage & Fixture Body



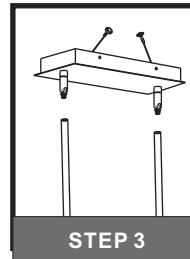
STEP 1

Downrods



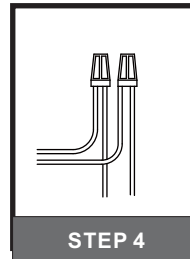
STEP 2

Ceiling Canopy to Rod

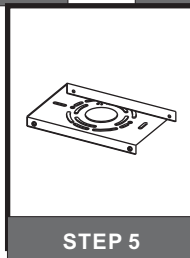


STEP 3

Wiring to Driver

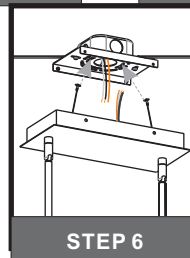


STEP 4



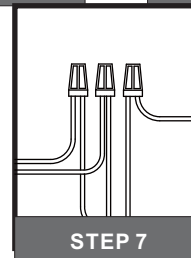
STEP 5

Inner Backplate



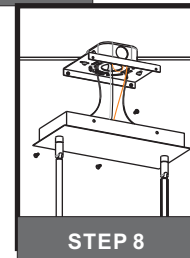
STEP 6

Lanyard



STEP 7

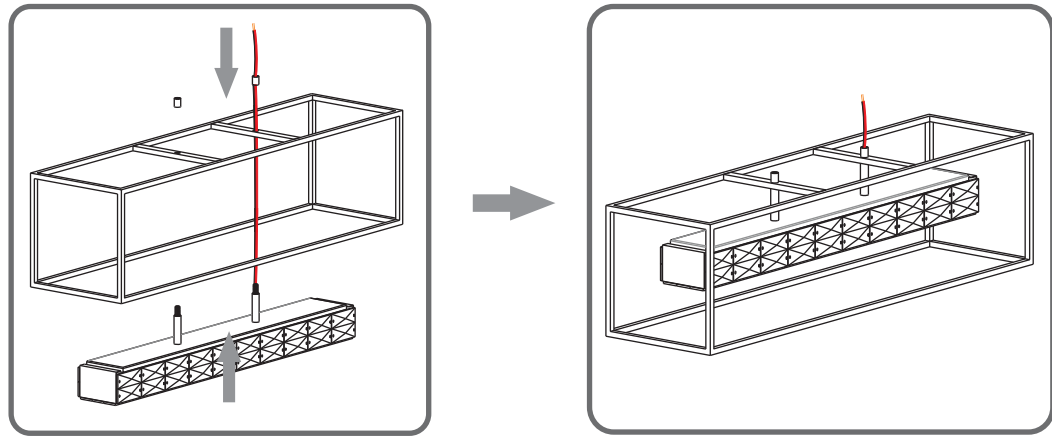
Wiring to Outlet Box



STEP 8

Ceiling Canopy

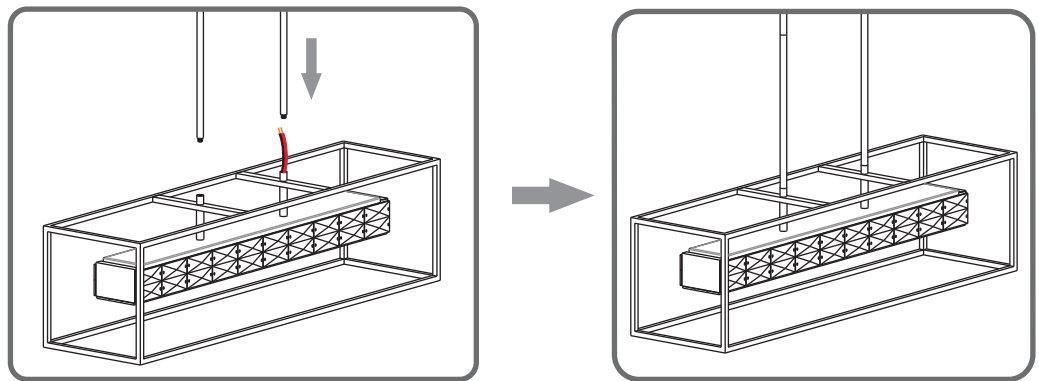
STEP 1



STEP 2

Optional Rods

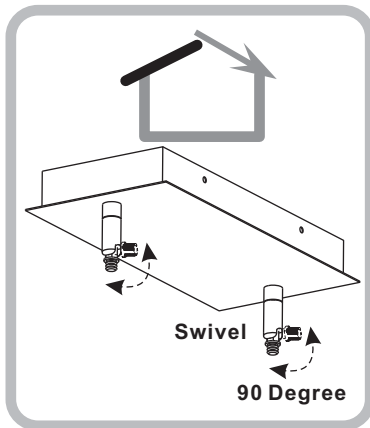
- 8' ceiling:
(4) 12"L rods
- 9' ceiling:
(4) 6"L + (4) 12"L rods



STEP 3

1

Separate Swivels from ceiling canopy

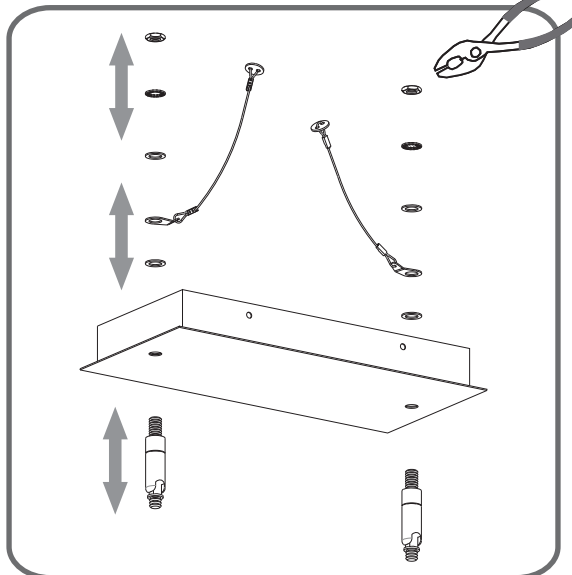


Swivel
90 Degree

For angled ceilings,
Swivel opening towards wall.

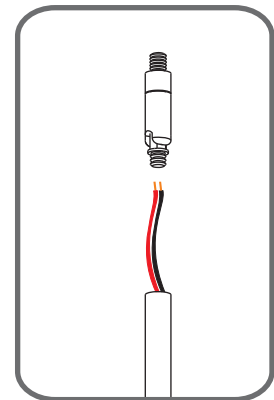
3

Reinstall swivels to ceiling canopy

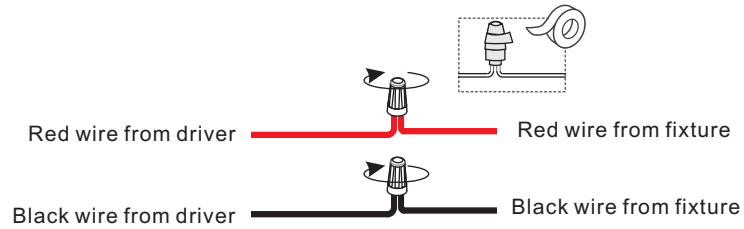


2

Install Swivels to upper rods



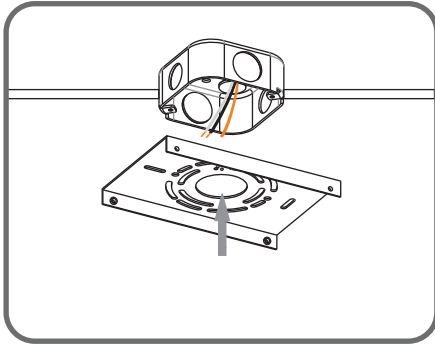
STEP 4



STEP 5

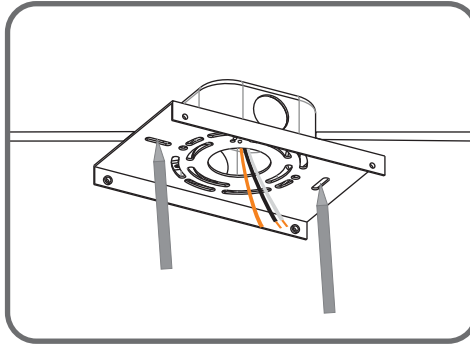
1

Fit inner backplate to outlet box



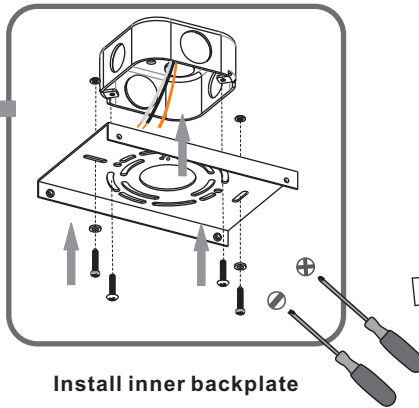
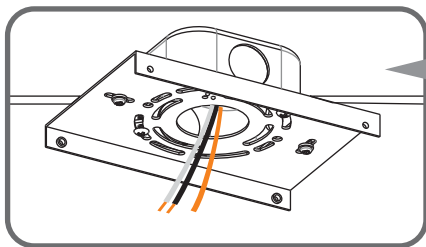
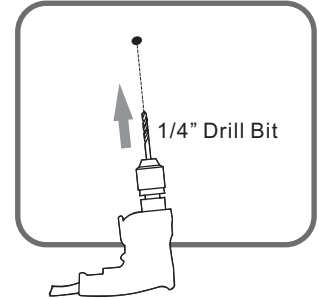
2

Mark anchor holes location on the ceiling

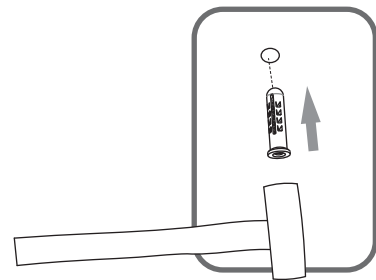


3

Drill holes for anchors from marks



Install inner backplate

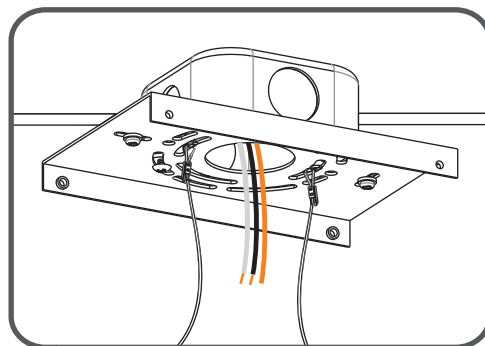
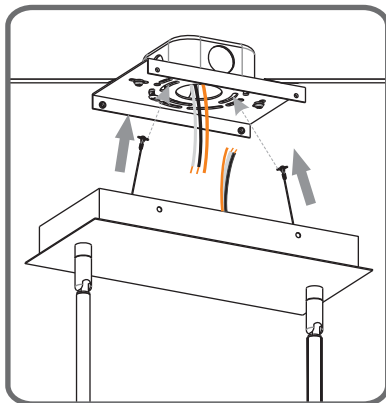


Install wall anchors

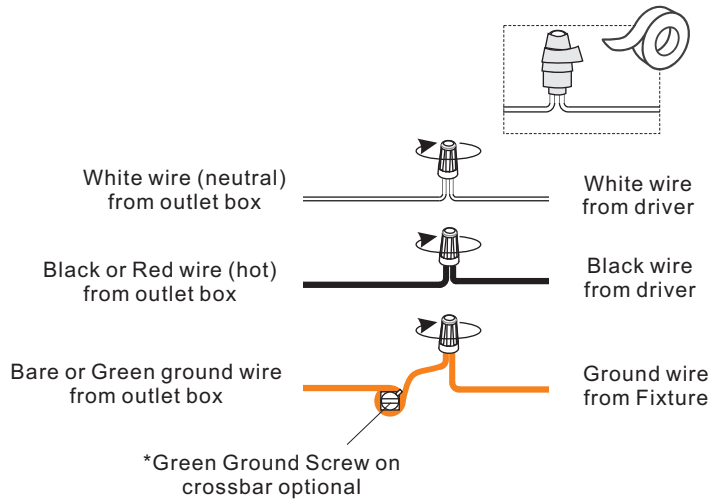
5

4

STEP 6



STEP 7



STEP 8

