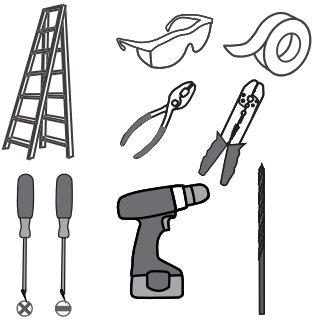


**Tools Required**



**Light Source**



LED G9 4.5W Bulb

**5 BULBS REQUIRED INCLUDED**

**Warnings and Cautions**

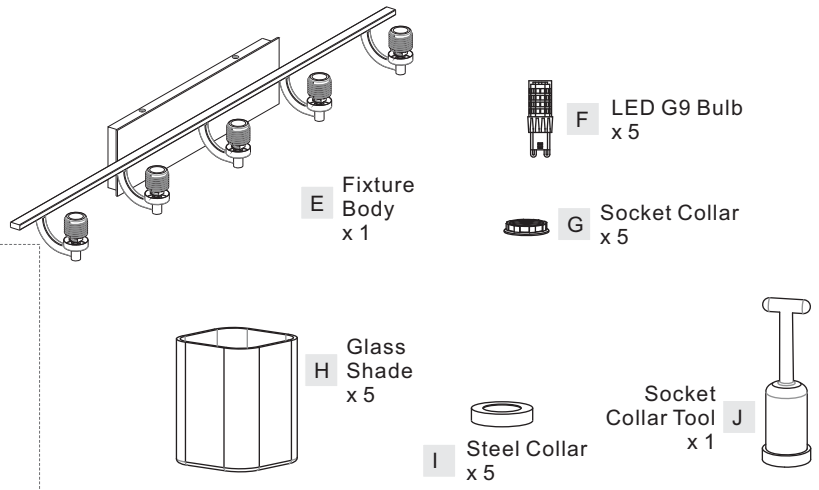
Turn off the electricity at the circuit breaker before installation. Consult a licensed electrician if in doubt about installation.

Turn off power to the fixture and allow the bulbs to cool before replacing.

**Package Contents**

**Preparation:** Identify and inspect all parts before beginning the installation.

Missing or damaged parts? Contact your original place of purchase.



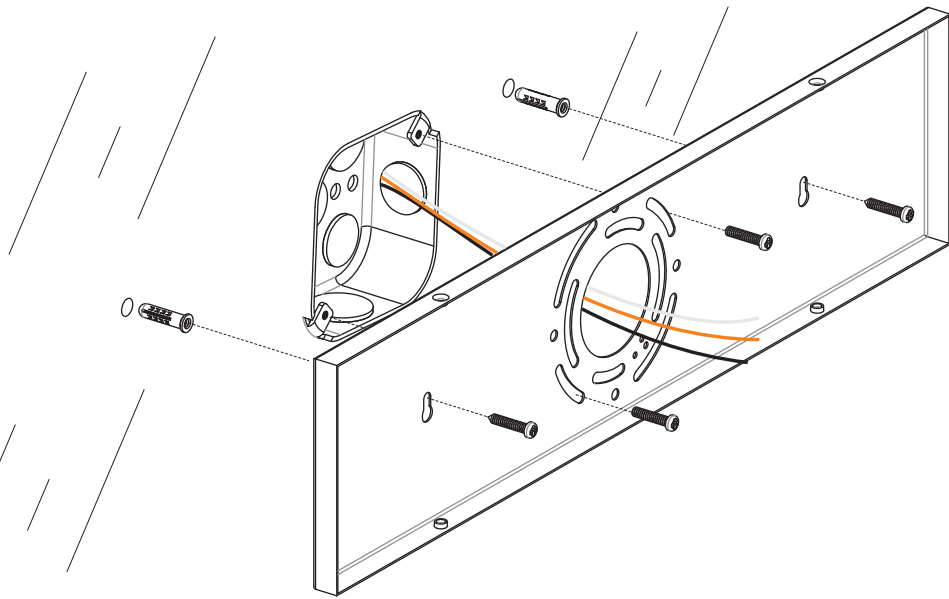
**PARTS BAG**

- A** Mounting Screw x 4
- B** Inner Backplate x 1
- C** Outlet Box Screw x 2
- D** Wire Connector x 3
- E** Fixture Body x 1
- F** LED G9 Bulb x 5
- G** Socket Collar x 5
- H** Glass Shade x 5
- I** Steel Collar x 5
- J** Socket Collar Tool x 1
- K** Wall Anchor x 2
- L** Self-tapping Screws x 2

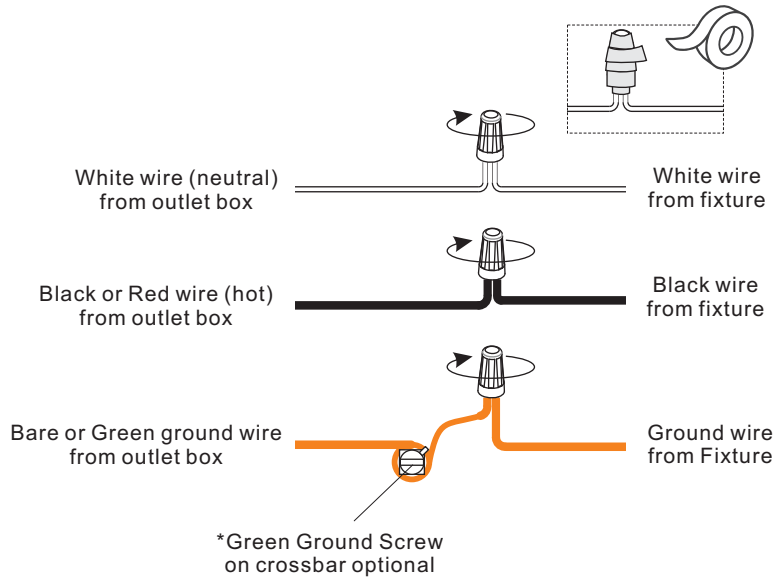
**Table of Contents**

Inner Backplate	Wiring	Fixture Body	Shade & Bulb
<b>STEP 1</b>	<b>STEP 2</b>	<b>STEP 3</b>	<b>STEP 4</b>

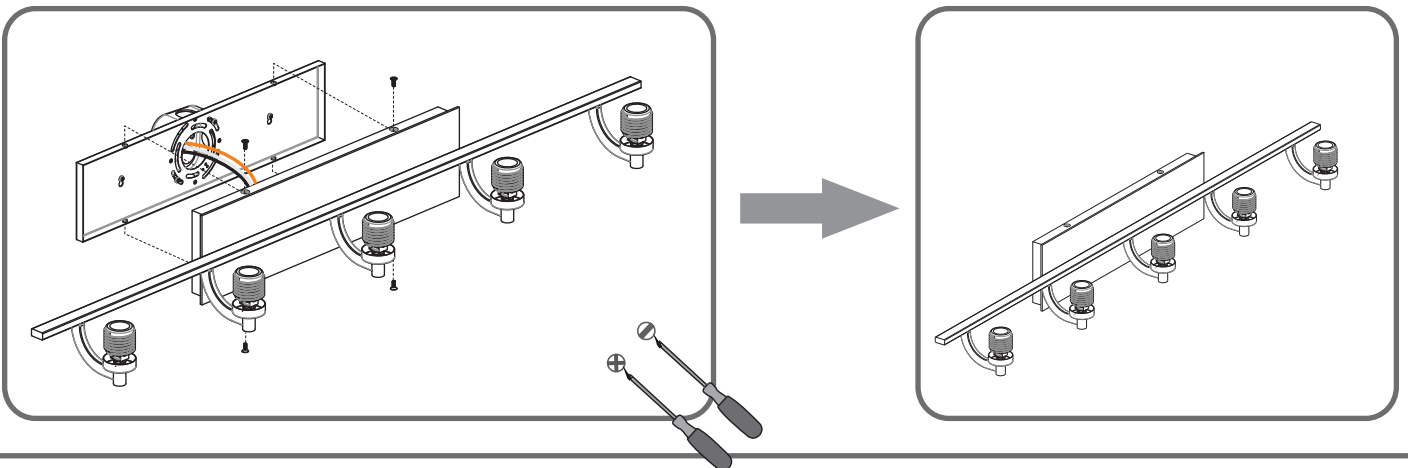
## STEP 1



## STEP 2



## STEP 3



**STEP 4**

