

**SAFETY INFORMATION**

Please read and understand this entire manual before attempting to assemble, install or operate the product.

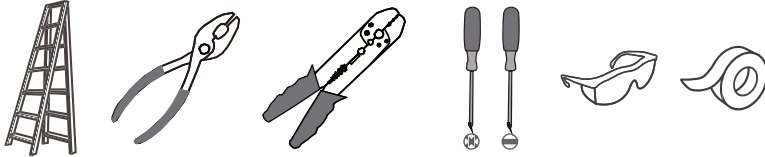
**WARNING**

- RISK OF ELECTRIC SHOCK - Before beginning installation, turn off electricity at the circuit breaker box or the main fuse box.
- RISK OF FIRE - Use bulbs specified by the markings and/or labels on the fixture.

**CAUTION**

- For your safety, read instructions completely before beginning installation.
- If in doubt about electrical installation, consult a licensed electrician.
- Turn off electricity to fixture before replacing the bulb(s).

**TOOLS REQUIRED**

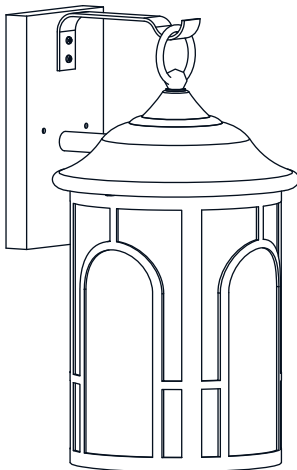


**CARE AND MAINTENANCE**

- Wipe clean using soft, dry cloth or static duster. Always avoid using harsh chemicals and abrasives to clean fixture as they may damage the finish.

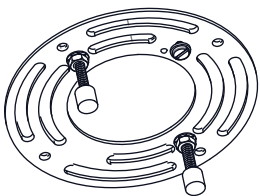
If you need further assistance call Quozel Customer Care at 1-800-645-3184 (9:00am - 5:00pm EST), or visit us on-line at [www.quezel.com](http://www.quezel.com).

**PACKAGE CONTENTS**



**A** Fixture Body  
x 1

**MOUNTING HARDWARE**



**AA** Crossbar Assembly  
x 1



**BB** Alternate  
Mounting Screw  
x 2



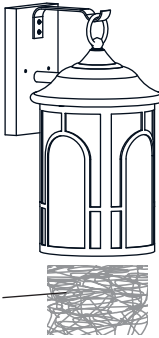
**CC** Wire Connector  
x 3



**DD** Outlet Box Screw  
x 2

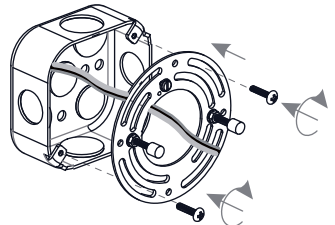
# INSTALLATION

**1 Remove Papers inside of the Fixture Body**

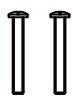


Paper (Remove)

**2 Install Crossbar Assembly**

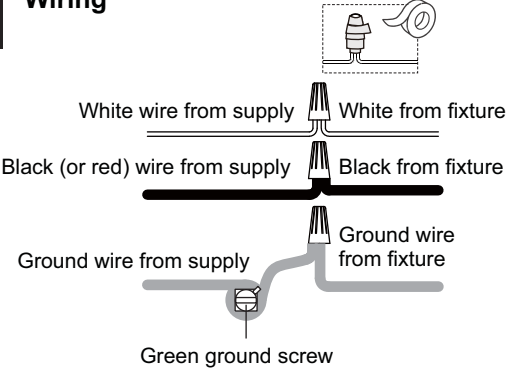


(2) Alternative Screws



\* Alternative screws are provided to replace pre-assembled mounting screws if necessary.

**3 Wiring**



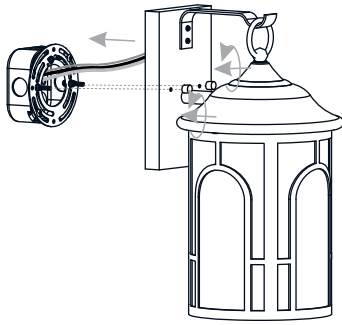
White wire from supply      White from fixture

Black (or red) wire from supply      Black from fixture

Ground wire from supply      Ground wire from fixture

Green ground screw

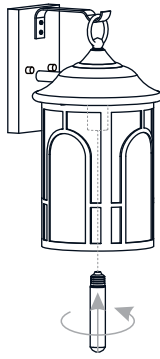
**4 Install Fixture Body**





**5 Install Bulb**

Install the correct bulb referring to fixture markings and/or labels for maximum wattage.

**Recommended Bulb Type (not included):**

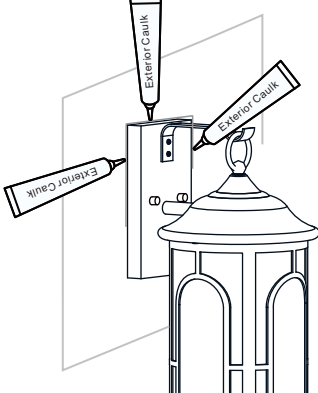


|   |   |
|---|---|
|  |  |
| BULB BASE TYPE<br>Medium (E26)  | BULB TYPE<br>TYPE A   |

100W MAX

**6 Apply Caulking**

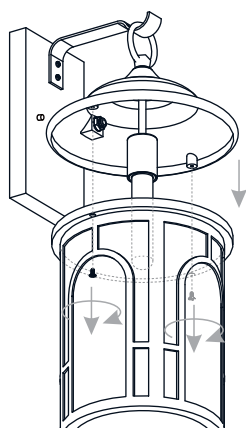
\* Note: Do NOT caulk the bottom of the backplate to allow moisture to escape.



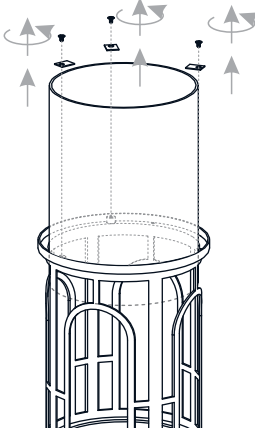
**Your installation is now complete! Restore electricity and save this sheet for future reference.**

## HOW TO REPLACE GLASS SHADE

**1 Remove Cage**



**2 Remove Glass Shade**



Reverse above steps to reinstall the replacement Glass Shade onto fixture.