

- LG42-MCAOB Finish(B)
- LG42-MCAOC Finish(C)
- LG42-MCAOGS Finish(GS)
- LG42-MCAOY Finish(Y)

Specifications

Features

- 1.2 GPM Flow Rate
- Spot Defense™ Finish Resists Spots and Fingerprints (GS Finish Only)
- Copper Inlet Line Kit Included
- Mounting Hardware Included
- Optional Deckplate Available, Order 961-224* Separately
- Push & Seal™ Pop-Up
- Pfast Connect™ Supply Lines
- TiteSeal™ Deckplate
- Pforever Seal™ Ceramic Disc Valve
- Pforever Warranty®



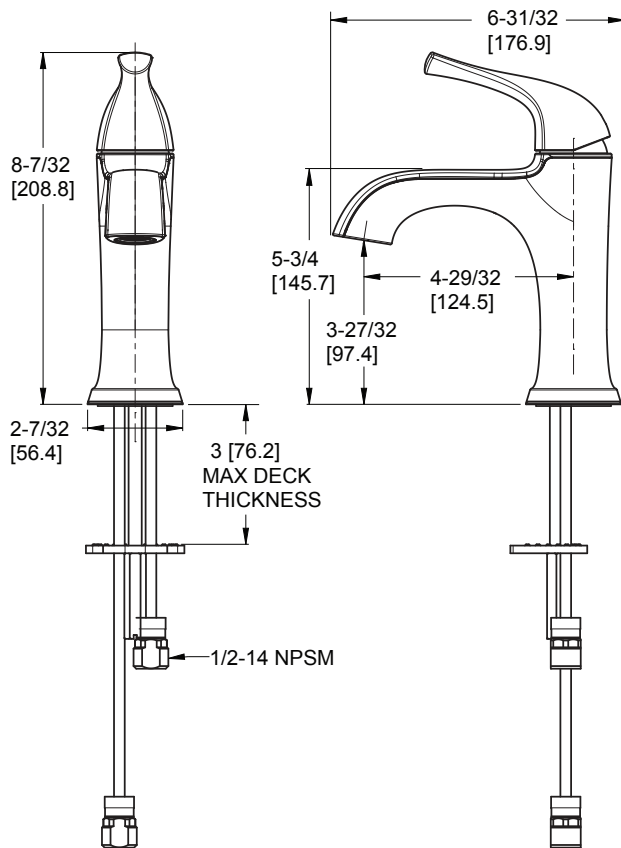
Code Compliance

Pfister products are designed and manufactured in compliance with the following standards and codes:

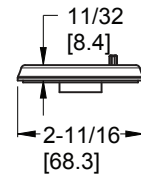
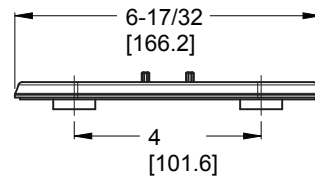
- IAPMO Certified to ASME A112.18.1/CSA B125.1
- NSF 61/9 AnnexG Certified
- EPA WaterSense Certified
- CEC Certified/CALGreen compliant
- ADA Compliant - ANSI A117.1 (Lever Handles Only)



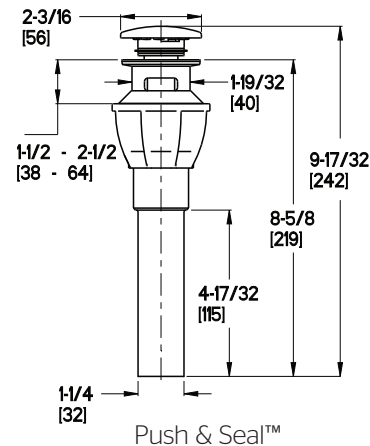
Dimensions



Optional Aerators Available	
GPM	Part Number
0.35 GPM	941-4370
0.5 GPM	941-4320
1.0 GPM	941-4440



Optional Deckplate



Push & Seal™

Ø1 Min to Ø1-1/2 Max. Deck Hole Openings