



## Fresh Air Systems - 180 CFM

ERV

Top ports: B180E75RT

65 to 182 CFM @ 0.4 in. w.g.  
65 to 174 CFM @ 0.6 in. w.g.



Parts/Motor/ERV Core

Visit [Broan-NuTone.com](http://Broan-NuTone.com) for complete warranty text.

The industry's most advanced residential fresh air system, created to offer a universal platform specifically designed and improved to make contractors life easier and more profitable while delivering constant superior air quality.

- Thanks to the Virtuo Air Technology™, the airflow calibration and auto-balancing are achieved quickly and maintained throughout the life of the product
- Select the desired CFM using the proven integrated LCD screen
- Integrated electronic airflow measurement device with real time LCD
- Integrated diagnostic tool
- Equipped with PMSM ECM motors for energy efficient operation
- Suspended installation (chains included)
- OR
- Wall-mount installation (universal brackets included)
  - installation with 2 brackets
  - installation with 4 brackets

### Unit Description

- SRE of 78% at 32°F (81 CFM) and 64% at -13°F (83 CFM) and SRE of 81% at 32°F (66 CFM)
- Ports size: 6"
- Recirculation defrost
- Corrosion resistant galvanized steel door and cabinet
- One-piece molded insulation shell, no air leakage (expanded polystyrene; UL 94 HF-1 certified)
- Virtuo constant airflow and auto-balancing device (patent pending)
- Motorized dampers (no additional backdraft dampers required)
- Recirculate air within the dwelling with recirculation mode using a main wall control
- 6' power cord
- Unit electrical characteristics: 120 volts, 60 Hz, 3 A, 200 W
- For residential indoor installation only

### Controls



There are 4 optional main controls and 2 optional auxiliary controls available. Refer to Wall Control specification sheet for more information.

### Core

- Polypropylene crossflow core with polymeric membrane and aluminum covers, impact resistant, non washable

### Filters

- MERV 8 grade washable standard filter (included)

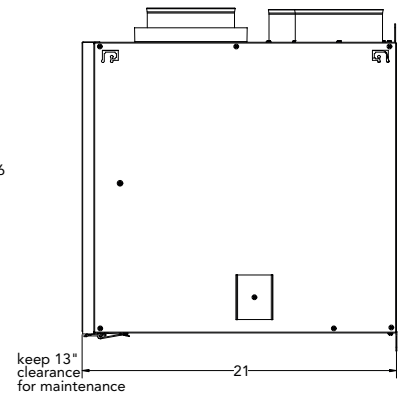
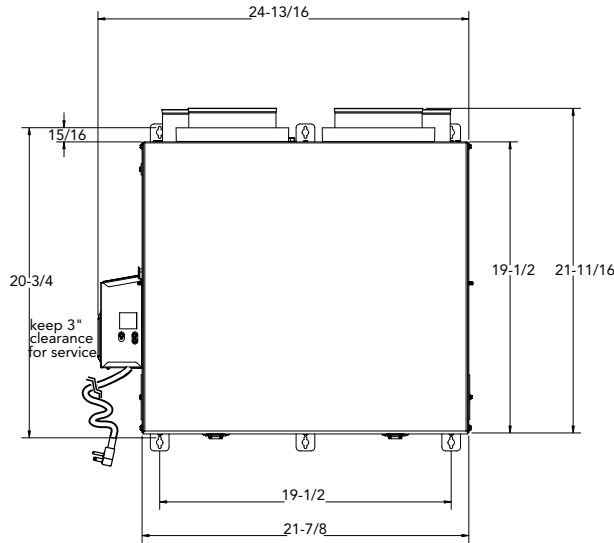
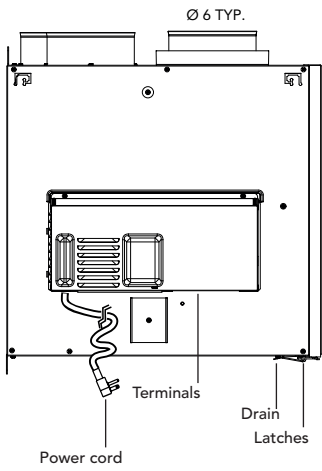
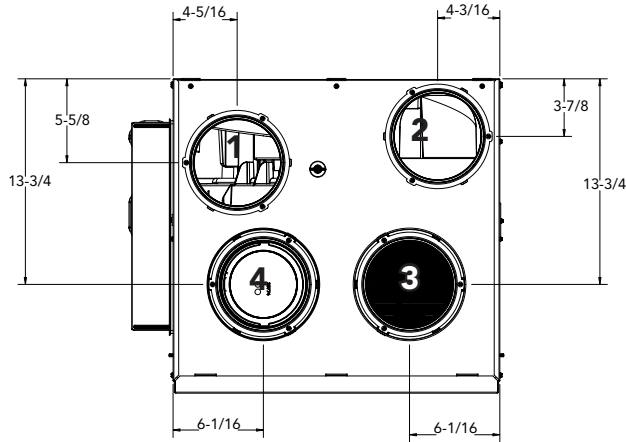
### Options

- Indoor and outdoor terminations

# 6" Ports Dimensions

- 1 - Exhaust air from building
- 2 - Fresh air to building
- 3 - Exhaust air to outside
- 4 - Fresh air from outside

Total assembled weight: approx 47 lbs (21.4 kg) (core included)  
 Shipping weight: approx 55 lbs (25 kg)

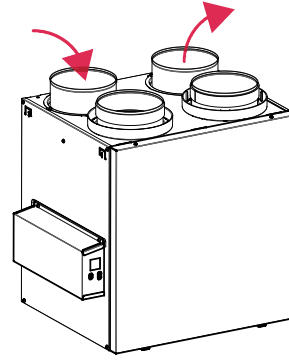


Dimensions shown in inches

# Defrost System

## Homeshield™ Defrosting System

No negative pressure is created by air exhausted to the outdoors since the air is recirculated into the house, helping to prevent any backdraft.

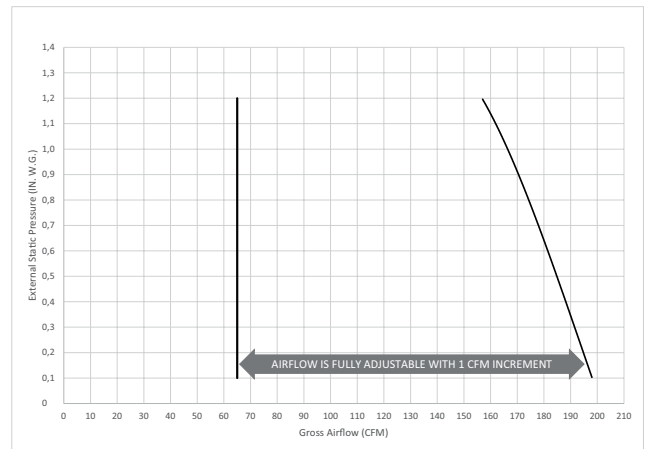


# Fan Curves with Virtuo

Thanks to Virtuo Air Technology™, there is no need to balance the unit manually. Both PMSM ECM motors are controlled by artificial intelligence performing 120 readings per minute then processing this information to maintain the requested airflow.

For typical installation, Virtuo will ensure balanced ventilation at every selected speed regardless of the weather conditions, the type of connection, the variable speed furnace/AHU, the stack effect, the filter clogging and so on. This results in peace of mind for installers and users knowing that the unit will always remain balanced and that it will maintain its maximum heat/energy recovery efficiency.

STATIC PRESSURE (PA)	STATIC PRESSURE (IN. W.G.)	NET SUPPLY AIRFLOW (L/s)	NET SUPPLY AIRFLOW (CFM)	GROSS AIRFLOW SUPPLY (L/s)	GROSS AIRFLOW SUPPLY (CFM)	GROSS AIRFLOW EXHAUST (L/s)	GROSS AIRFLOW EXHAUST (CFM)
25	0.1	90	191	93	197	93	197
50	0.2	89	189	92	195	92	195
75	0.3	88	186	91	193	91	193
100	0.4	86	182	89	189	89	189
125	0.5	84	178	87	184	87	184
150	0.6	82	174	85	180	85	180
175	0.7	81	172	84	178	84	178
200	0.8	79	167	82	174	82	174
225	0.9	78	165	81	172	81	172
250	1.0	76	161	79	167	79	167
275	1.1	73	155	76	161	76	161
300	1.2	72	153	74	157	74	157



# Energy Performance

SUPPLY TEMPERATURE		NET AIRFLOW		POWER CONSUMED WATTS	SENSIBLE RECOVERY EFFICIENCY	ADJUSTED SENSIBLE RECOVERY EFFICIENCY	APPARENT SENSIBLE EFFECTIVENESS*	TOTAL RECOVERY EFFICIENCY	ADJUSTED TOTAL RECOVERY EFFICIENCY	LATENT RECOVERY / MOISTURE TRANSFER
°C	°F	L/s	CFM							
HEATING										
0	32	31	66	23	81%	83%	84%	-	-	0.63
0	32	38	81	33	78%	81%	82%	-	-	0.6
0	32	76	161	135	72%	77%	78%	-	-	0.52
-25	-13	39	83	79	64%	67%	81%	-	-	0.64
COOLING										
35	95	31	66	24	-	-	78%	68%	69%	0.65
35	95	38	81	35	-	-	76%	65%	67%	0.63
35	95	76	161	150	-	-	63%	52%	56%	0.53

\*Data not certified by HVI.

# Requirements and Standards

- UL 1812 compliant (safety)
- Performance tested in accordance with CSA C439 Standard
- Compliant with Prop 65
- Complies with ROHS 2015/863 directive
- Can be used to comply with California Title 24 2019 Part 6 Fault Indicator Display Requirements
- Can be used to earn WA energy code credits

Project:	Remarks
Location:	
Part no.:	
Qty.:	
Submitted by: _____ Date: _____	