

Type _____
 Project _____
 Catalog No. _____
 Lamp/Wattage _____

NMT-244/12C2D1 / NMT-244/12C2D2
12 Volt, 240 Watt (4 x 60W Breakers)
Class II Dimmable Hardwire Magnetic Driver

PRODUCT DESCRIPTION

12 Volt enclosed driver to be used with Nora Lighting's 12 Volt systems requiring a Class II driver. Four breakers each produce 60 watts each and can be dimmed with low voltage magnetic dimmer. Includes a regulator to provide constant current and constant voltage.

FEATURES

- Fully dimmable, with low voltage magnetic dimmer
- Integral regulator for constant current and voltage
- Manual Reset Overload Protection for each Class II Circuit
- Indoor/Outdoor Enclosure Type 3R Enclosure
- Conduit Access Wiring Compartment
- Made in USA
- Meets Class II output limits
- 12 Volt DC Rated output
- Includes (4) NAPK-10, 12V 10' Power Line Connector
- UL Recognized
- Available in 120V or 277V

ELECTRICAL

Input: 120VAC or 277VAC, 50/60Hz

Output: 12VDC, 5A Per Circuit (Max.)

Wattage: 4 x 60VA Class II Circuits (240W)

OPTIONAL ACCESSORIES

NAPK-10: 12V 10' Power Line Connector (four are included with each driver)

NAPK-30: 12V 30' Power Line Connector

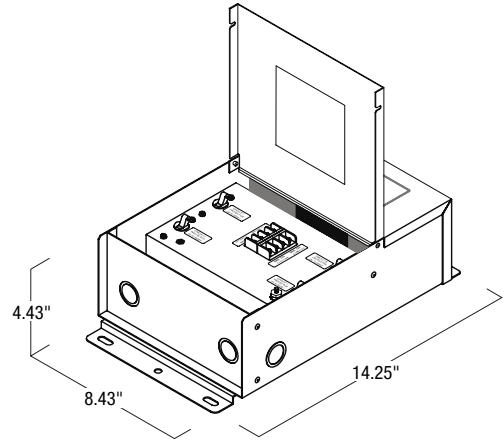
Labels and Listings

Three Year Limited Warranty

UL Recognized



DIMENSIONS



Width: 8.43"
 Length: 14.25"
 Height: 4.43"

12V 240W Class II Dimmable Hardwire Magnetic Driver

NMT-244/12C2D1: 120V/12V 240W (4 x 60W Breakers) Class II Dimmable Hardwire Magnetic Driver

NMT-244/12C2D2: 277V/12V 240W (4 x 60W Breakers) Class II Dimmable Hardwire Magnetic Driver

Optional Accessories

NAPK-10: 12V 10' Power Line Connector (four are included with each driver)

NAPK-30: 12V 30' Power Line Connector