

NIO-4RW

4" Iolite Round Wall Wash

Source: 14W to 24W LED
800lm to 2000lm

Type

Project

Catalog No.

Notes

PRODUCT DESCRIPTION

4" Iolite wall wash can be specified for use with Iolite new construction housings. Wall wash is used to illuminate a wall evenly at a fixed angle on 1:1 spacing (see photometrics).

FEATURES

- 800lm, 1000lm, 1500lm or 2000lm LED packages
- 2700K, 3000K, 3500K, 4000K, 5000K @ 90+ CRI
- Comfort Dim (warm dimming) also available in 800lm only
- Flood optic, narrow flood and spot optics (included)
- 5-Year limited warranty

SPECIFICATION

Construction: Trims are constructed of heat dissipating, die-cast aluminum. The aluminum die-cast LED heat sink is threaded to fit the reflector and transfer heat.

Mounting: Trim includes friction blades to mount securely to housing.

OPTICS

800-1000lm: Each luminaire includes field changeable optics (25° spot, 38° narrow flood and 60° flood - preinstalled).

1500-2000lm: Each luminaire includes field changeable TIR optics (30° spot, 45° narrow flood - preinstalled and 65° flood).

ELECTRICAL

Lumens / Wattage: 800lm / 14W, 1000lm / 14W, 1500lm / 20W, 2000lm / 24W

Color Temperature: 2700K, 3000K, 3500K, 4000K, 5000K

Color Rendering Index: 90+CRI

Operating Temperature: Specified by housing

Lifetime: 50,000 hours @ L70

Comfort Dim: Comfort Dim color tunes the temperature from a bright 3100K, to a romantic and comfortable 2000K on a gradual, even curve. Available in 800lm only.

Dimming: Specified by housing

COMPATIBLE HOUSINGS

Luminaires are compatible with respective Iolite housings manufactured by Nora Lighting.

| CATALOG NO. | DESCRIPTION | LUMENS / WATTAGE |
|-------------------------------|-----------------------|------------------|
| NHIOICD-48 | ICAT New Construction | 800-1000lm / 14W |
| NHIOICDCP-48 | Chicago Plenum | 800-1000lm / 14W |
| NHIOICD-415 | ICAT New Construction | 1500lm / 20W |
| NHIOICDCP-415 | Chicago Plenum | 1500lm / 20W |
| NHIOICD-420 | ICAT New Construction | 2000lm / 24W |
| NHIOICDCP-420 | Chicago Plenum | 2000lm / 24W |

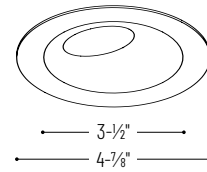
Accessories: Flush mount mud ring is available to give the appearance of a trimless.

LABELS AND LISTINGS

- cULus Listed for Wet Locations
- ENERGY STAR certified
- [5-Year Limited Warranty](#)
- RoHS Compliant
- Certified to the high efficacy requirements of California Title 24 JA8-2019



PRODUCT IMAGES & DIMENSIONS



NIO-4RW
Round Wall Wash Reflector
Non-Adjustable



BB
Black Reflector
Black Flange



CHMPW
Champagne Haze Reflector
Matte Powder White Flange



HW
Haze Reflector
White Flange



HZMPW
Haze Reflector
Matte Powder White Flange



MPW
Matte Powder White Reflector
Matte Powder White Flange



WW
White Reflector
White Flange

4" Iolite Round Wall Wash - Dedicated Housing Required

| Trim Type | Color Temp. | Finish | Lumens / Wattage |
|----------------------------------|---------------------------|---|---------------------------|
| NIO-4RW = Round Wall Wash | 50X = 5000K* | BB = Black / Black | (blank) = 800lm / 14W |
| | CDX = Comfort Dim† | CHMPW = Champagne / Matte Powder White | |
| | 27X = 2700K | HW = Haze / White | /10 = 1000lm / 14W |
| | 30X = 3000K | HZMPW = Haze / Matte Powder White | /HL = 1500-2000lm |
| | 35X = 3500K | MPW = Matte Powder White | (varies by housing) |
| | 40X = 4000K | WW = White / White | |
| | 50X = 5000K | | |

* 5000K LED modules in 800lm are while supplies last

† Comfort Dim available in 800lm only and I" Iolite uses a different dimming curve than 2" & 4" Iolite

Compatible Housings

| Housing Type |
|--|
| NHIOICD-48 = ICAT New Construction / 800-1000lm / 14W |
| NHIOICDCP-48 = Chicago Plenum / 800-1000lm / 14W |
| NHIOICD-415 = ICAT New Construction / 1500lm / 20W |
| NHIOICDCP-415 = Chicago Plenum / 1500lm / 20W |
| NHIOICD-420 = ICAT New Construction / 2000lm / 24W |
| NHIOICDCP-420 = Chicago Plenum / 2000lm / 24W |

Example: **NIO-4RW50XWW** = 4" Iolite Round Wall Wash, 5000K, White finish, 800lm / 14W

4" Iolite Accessories

4" Iolite Round Wall Wash

Type _____

Project _____

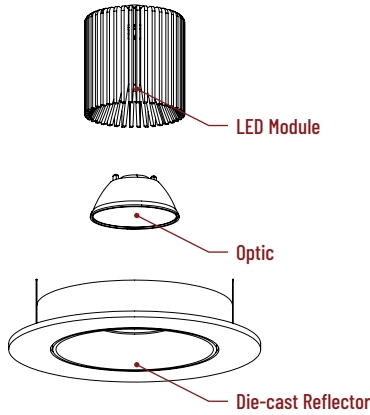
Catalog No. _____

Notes _____

FIELD CHANGEABLE OPTICS

Iolite luminaires include spot, narrow flood and flood optics. Optics can be changed in the field by removing LED module from die-cast trim. Replacement optics include an optional frosted lens.

Note: Frosted filter-optics are not compatible with /HL LED modules.



Frosted Filter-Optic

| | |
|---------------------|-----------|
| NIO-REFL15FR | 15° Optic |
| NIO-REFL25FR | 25° Optic |
| NIO-REFL38FR | 38° Optic |
| NIO-REFL60FR | 60° Optic |

Optic assembly includes optional frosted lens. 25°, 38° and 60° optics are included with 800lm and 1000lm modules.
Not compatible with /HL LED module.

FLUSH MOUNT

4" Iolite trims can be installed flush with the drywall for a flush mount appearance. A flush mount mud ring is installed after the drywall and a professional drywall finisher floats the ceiling to blend in the mud ring.



Flush Mount Mud Ring

| | |
|--------------------|----------------|
| NIO-FMMR-4R | Round Mud Ring |
|--------------------|----------------|

Mounts trim flush to ceiling with flange visible. Mud ring attaches to drywall. **Only for use with NH10ICD-48 or NH10ICDCP-48 new construction housings and NIO-4R trims.**
Dimensions: 7-7/8" diameter 1/2" thick

PHOTOMETRICS

4" Iolite Round Wall Wash
1000, 1500 and 2000 lumens

Type

Project

Catalog No.

Notes

Test Information

Test Number: NTR1583R3
Part Number: NIO-4RW40XWW/10
Lumens: 1113lm
Wattage: 13.78W
Efficacy: 81lpw
CCT / CRI: 4000K / 90 CRI
Spacing Criteria (0°-180°): 1.92
Spacing Criteria (90°-270°): 0.76

Multiple unit data (footcandles)

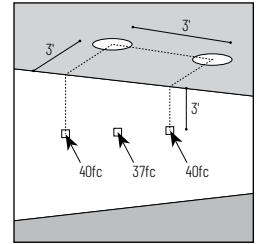
| Distance from ceiling (ft.) | 2' from wall 2' on center | | |
|-----------------------------|------------------------------|----|----|
| | 1' | 2' | 3' |
| 1' | 38 | 26 | 38 |
| 2' | 90 | 84 | 90 |
| 3' | 64 | 69 | 64 |
| 4' | 39 | 43 | 39 |
| 5' | 24 | 27 | 24 |
| 6' | 15 | 17 | 15 |
| 7' | 10 | 11 | 10 |
| 8' | 7 | 7 | 7 |
| 9' | 5 | 5 | 5 |
| 10' | 4 | 4 | 4 |

Multiple unit data (footcandles)

| Distance from ceiling (ft.) | 2' from wall 3' on center | | |
|-----------------------------|------------------------------|----|----|
| | 1' | 2' | 3' |
| 1' | 35 | 14 | 35 |
| 2' | 82 | 46 | 82 |
| 3' | 54 | 46 | 54 |
| 4' | 32 | 33 | 32 |
| 5' | 20 | 22 | 20 |
| 6' | 13 | 15 | 13 |
| 7' | 9 | 10 | 9 |
| 8' | 6 | 7 | 6 |
| 9' | 5 | 5 | 5 |
| 10' | 3 | 4 | 3 |

Multiple unit data (footcandles)

| Distance from ceiling (ft.) | 3' from wall 3' on center | | |
|-----------------------------|------------------------------|----|----|
| | 1' | 2' | 3' |
| 1' | 8 | 6 | 8 |
| 2' | 33 | 21 | 33 |
| 3' | 40 | 37 | 40 |
| 4' | 33 | 34 | 33 |
| 5' | 24 | 26 | 24 |
| 6' | 18 | 19 | 18 |
| 7' | 13 | 14 | 13 |
| 8' | 9 | 10 | 9 |
| 9' | 7 | 7 | 7 |
| 10' | 5 | 6 | 5 |



Example: Two luminaires located 3' from wall and spaced 3' on center, the illumination on the wall 3' down from ceiling will be 40fc beneath and 37fc between luminaires.

Lumen Output Multipliers

Color Temperature: 2700K (0.82), 3000K (0.84), 3500K (0.92), 4000K (1.00), 5000K (0.97)

Test Information

Test Number: NTR1588R2
Part Number: NIO-4RW40XWW/HL
Lumens: 1477lm
Wattage: 19.46W
Efficacy: 76lpw
CCT / CRI: 4000K / 90 CRI
Spacing Criteria (0°-180°): 1.84
Spacing Criteria (90°-270°): 0.9

Multiple unit data (footcandles)

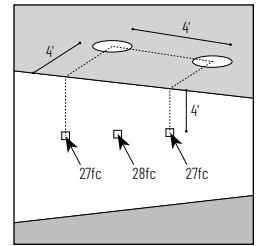
| Distance from ceiling (ft.) | 3' from wall 3' on center | | |
|-----------------------------|------------------------------|----|----|
| | 1' | 2' | 3' |
| 1' | 9 | 8 | 9 |
| 2' | 38 | 29 | 38 |
| 3' | 48 | 49 | 48 |
| 4' | 38 | 43 | 38 |
| 5' | 28 | 32 | 28 |
| 6' | 20 | 23 | 20 |
| 7' | 15 | 16 | 15 |
| 8' | 11 | 11 | 11 |
| 9' | 8 | 9 | 8 |
| 10' | 6 | 7 | 6 |

Multiple unit data (footcandles)

| Distance from ceiling (ft.) | 4' from wall 3' on center | | |
|-----------------------------|------------------------------|----|----|
| | 1' | 2' | 3' |
| 1' | 4 | 4 | 4 |
| 2' | 12 | 10 | 12 |
| 3' | 28 | 29 | 28 |
| 4' | 31 | 33 | 31 |
| 5' | 27 | 29 | 27 |
| 6' | 21 | 23 | 21 |
| 7' | 17 | 18 | 17 |
| 8' | 13 | 14 | 13 |
| 9' | 10 | 10 | 10 |
| 10' | 8 | 8 | 8 |

Multiple unit data (footcandles)

| Distance from ceiling (ft.) | 4' from wall 4' on center | | |
|-----------------------------|------------------------------|----|----|
| | 1' | 2' | 3' |
| 1' | 3 | 3 | 3 |
| 2' | 11 | 8 | 11 |
| 3' | 25 | 22 | 25 |
| 4' | 27 | 28 | 27 |
| 5' | 23 | 26 | 23 |
| 6' | 19 | 21 | 19 |
| 7' | 15 | 17 | 15 |
| 8' | 11 | 13 | 11 |
| 9' | 9 | 10 | 9 |
| 10' | 7 | 8 | 7 |



Example: Two luminaires located 4' from wall and spaced 4' on center, the illumination on the wall 4' down from ceiling will be 27fc beneath and 28fc between luminaires.

Lumen Output Multipliers

Color Temperature: 2700K (0.83), 3000K (0.89), 3500K (1.00), 4000K (1.00), 5000K (1.06)

Test Information

Test Number: NTR1261
Part Number: NIO-4RW40XWW/HL
Lumens: 1788lm
Wattage: 23.29W
Efficacy: 77lpw
CCT / CRI: 4000K / 90 CRI
Spacing Criteria (0°-180°): 0.28
Spacing Criteria (90°-270°): 0.72

Multiple unit data (footcandles)

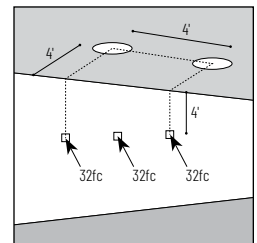
| Distance from ceiling (ft.) | 3' from wall 3' on center | | |
|-----------------------------|------------------------------|----|----|
| | 1' | 2' | 3' |
| 1' | 11 | 10 | 11 |
| 2' | 48 | 35 | 48 |
| 3' | 57 | 57 | 57 |
| 4' | 45 | 51 | 45 |
| 5' | 33 | 38 | 33 |
| 6' | 24 | 27 | 24 |
| 7' | 17 | 19 | 17 |
| 8' | 13 | 14 | 13 |
| 9' | 9 | 10 | 9 |
| 10' | 7 | 8 | 7 |

Multiple unit data (footcandles)

| Distance from ceiling (ft.) | 4' from wall 3' on center | | |
|-----------------------------|------------------------------|----|----|
| | 1' | 2' | 3' |
| 1' | 4 | 5 | 4 |
| 2' | 15 | 12 | 15 |
| 3' | 34 | 35 | 34 |
| 4' | 37 | 39 | 37 |
| 5' | 32 | 35 | 32 |
| 6' | 25 | 27 | 25 |
| 7' | 19 | 21 | 19 |
| 8' | 15 | 16 | 15 |
| 9' | 12 | 12 | 12 |
| 10' | 9 | 9 | 9 |

Multiple unit data (footcandles)

| Distance from ceiling (ft.) | 4' from wall 4' on center | | |
|-----------------------------|------------------------------|----|----|
| | 1' | 2' | 3' |
| 1' | 4 | 4 | 4 |
| 2' | 14 | 9 | 14 |
| 3' | 30 | 26 | 30 |
| 4' | 32 | 32 | 32 |
| 5' | 27 | 30 | 27 |
| 6' | 22 | 25 | 22 |
| 7' | 17 | 19 | 17 |
| 8' | 13 | 15 | 13 |
| 9' | 10 | 12 | 10 |
| 10' | 8 | 9 | 8 |



Example: Two luminaires located 4' from wall and spaced 4' on center, the illumination on the wall 4' down from ceiling will be 32fc beneath and 32fc between luminaires.

Lumen Output Multipliers

Color Temperature: 2700K (0.84), 3000K (0.87), 3500K (0.99), 4000K (1.00), 5000K (1.07)