

NE-902LED

Outdoor Slim LED Emergency Light with Photosensor

PRODUCT DESCRIPTION

Slim architectural outdoor LED wallpack with photosensor for dusk to dawn security lighting. Unique luminaire includes general lighting for everyday use and emergency lighting when power failure occurs.

FEATURES

- Universal 120-277V input
- Outdoor luminaire with general and emergency lighting
- Test switch and LED indicator
- Self-diagnostic and self-testing unit
- Available in three finishes with UV coating; white, black or bronze
- IP65 rated
- General illumination can be controlled with a photosensor or wall switch

CONSTRUCTION

Architectural, low profile decorative design with die-cast aluminum housing. Enclosure is IP65 rated and suitable for outdoor applications, and includes a UV Resistant polycarbonate lens.

ELECTRICAL

Voltage: 120/277 VAC 60Hz
Lumens / Wattage: 1600lm / 18W (general lighting)
 600lm / 5W (emergency lighting)
Color Temperature: 5000K
Operating Temp: 0°C to 50°C ambient temperature
Battery: NiCad 7.2V 2A maintenance-free

MOUNTING

Wall mounted luminaire with 1/2" threaded conduit knockout on top or rear knockout for junction box wiring.

OPERATION

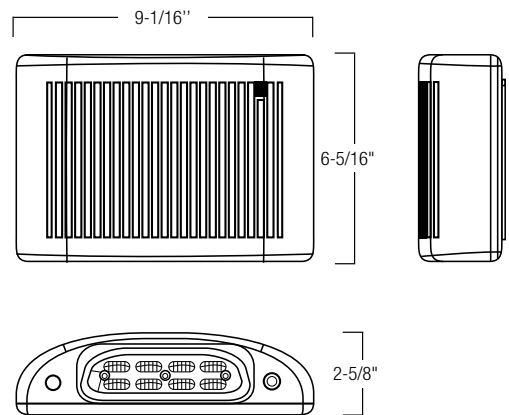
Luminaire has dual operations; general and emergency lighting. General lighting can be achieved with photosensor that will turn on the luminaire with absence of light, or with wall switch. Emergency lighting will operate for a minimum of 90 minutes during a loss of power with a 24 hour maximum recharge time.

LABELS AND LISTINGS

- 3 year / 35,000 hour limited warranty
- cULus Listed for Wet Locations
- DLC Listed
- IP65 Rated



PRODUCT IMAGES & DIMENSIONS



Outdoor Slim LED Emergency Light with Photosensor

Catalog No.

NE-902LEDW Outdoor LED Emergency Light, White

NE-902LEDB Outdoor LED Emergency Light, Black

NE-902LEDBZ Outdoor LED Emergency Light, Bronze

Example: **NE-902LEDB** = Outdoor Slim LED Emergency Light with Photosensor, Black