

NE-901LED

Outdoor Die-Cast LED Emergency Light with Photosensor

PRODUCT DESCRIPTION

Decorative low profile architectural die-cast luminaire with polycarbonate lens rated for cold weather and outdoor applications. Unique luminaire includes general lighting for everyday use and emergency lighting when power failure occurs.

FEATURES

- Universal 120-277V input
- Outdoor luminaire with general and emergency lighting
- IP65 rated
- Self-diagnostic and self-testing unit
- Available in three finishes with UV coating; white, black or bronze
- General illumination can be controlled with a photosensor or wall switch

CONSTRUCTION

Architectural, low profile decorative design with die-cast aluminum housing. Enclosure is IP65 rated and suitable for outdoor applications, and includes a UV Resistant polycarbonate lens.

ELECTRICAL

- Voltage:** 120/277 VAC 60Hz
Lumens / Wattage: 1200lm / 15W (general lighting)
 180lm / 3W (emergency lighting)
CCT / CRI: 5000K / 80CRI
Operating Temp: -20°C to 50°C ambient temperature
Battery: NiCad 4.8V 1.8A maintenance-free

MOUNTING

Wall mounted luminaire with 1/2" threaded conduit knockout on top or rear knockout for junction box wiring.

OPERATION

Luminaire has dual operations; general and emergency lighting. General lighting can be achieved with a photosensor that will turn on the luminaire with absence of light, or a wall switch. Emergency lighting will operate for a minimum of 90 minutes during a loss of power with a 24 hour maximum recharge time.

COLD WEATHER APPLICATION

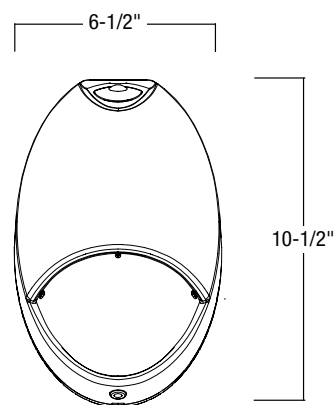
Luminaire includes heat pad that allows for the use in cold weather applications. Upon reaching below -10°C an internal heating pad will maintain optimal operating temperature with an AC connection.

LABELS AND LISTINGS

- 3 year limited warranty
- cULus Listed for Wet Locations
- IP65 rated



PRODUCT IMAGES & DIMENSIONS



Outdoor Die-Cast LED Emergency Light with Photosensor

Catalog No.

- NE-901LEDWCC** Outdoor LED Emergency Light, White
- NE-901LEDBCC** Outdoor LED Emergency Light, Black
- NE-901LEDBZCC** Outdoor LED Emergency Light, Bronze

Example: **NE-901LEDWCC** = Outdoor Die-Cast LED Emergency Light with Photosensor, White