

Installation Instructions

NTRT Series

Recessed Track Housing System

READ PRIOR TO ATTEMPTING INSTALLATION
ALWAYS TURN OFF MAIN POWER BEFORE INSTALLATION
INSTALLATION SHOULD BE CARRIED OUT BY YOUR LOCAL ELECTRICIAN

⚠ IMPORTANT - This equipment is intended to be installed only by qualified personnel. The installation must be made in accordance with the current edition of the National Electrical Code and all applicable state and local building codes. The final installation must be approved by the appropriate, qualified electrical/building inspector(s). Improper installation may result in a fire or electrical hazard. Be sure the electrical power to the circuit has been disconnected before installing this electrical system.

⚠ IMPORTANT - Cet équipement est destiné à être installé uniquement par du personnel qualifié. L'installation doit être faite conformément à l'édition actuelle du Code national de l'électricité et à tous les codes de construction locaux et nationaux applicables. L'installation finale doit être approuvée par un ou plusieurs inspecteurs qualifiés en électricité / bâtiment. Une installation incorrecte peut entraîner un incendie ou un risque électrique. Assurez-vous que l'alimentation électrique du circuit a été déconnectée avant d'installer ce système électrique.

IMPORTANT SAFETY INSTRUCTIONS:

1. Read all instructions.
2. All electrical power is to be disconnected before adding to or changing the track configuration.
3. The one circuit track system has a maximum capacity of 20 amps or 2400 total watts when permanently wired to an outlet box. Do not attempt to energize anything other than lighting track fixtures on the track. To reduce the risk of fire and electric shock, do not attempt to connect power tools, extension cords, appliances and the like to the track.

Track light assembly must be installed a minimum of 6 inches from any combustible surface or material, such as wall coverings or curtains.

Track is not to be installed in wet or damp locations.

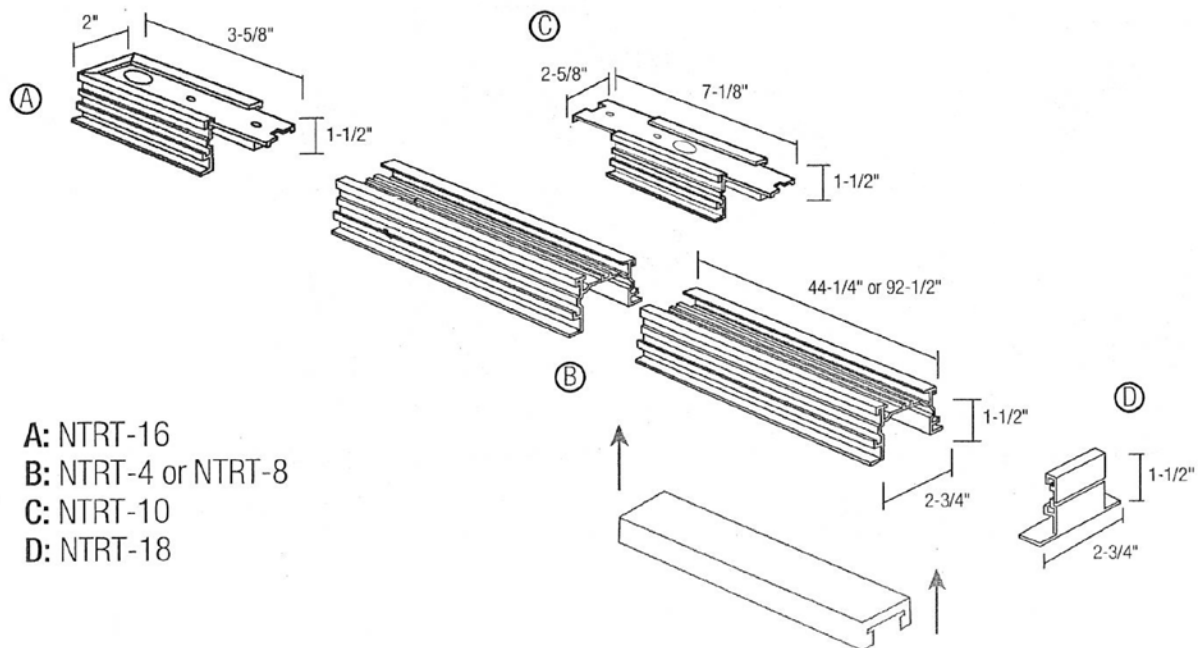
Track system must be installed a minimum of 5 feet above the floor.

Track not intended to be connected with power cord to more than one branch circuit unless it is constructed so that it can be fed with more than once circuit. Check with a qualified electrician.

Although the track system may appear to operate acceptably, a dangerous overload of the neutral may occur and result in a risk of fire.

ELECTRICAL POWER CONNECTION:

1. Attach flex or conduit to the knock out provided in the NTRT-16 or any of the other connecting housings.
2. Pull the power leads through and connect to the terminal screws located within the Nora end feeds (NT-316 or NT-2316)
3. Electrical installation must be in accordance with local codes.



Installation Instructions

NTRT Series

Recessed Track Housing System

READ PRIOR TO ATTEMPTING INSTALLATION
ALWAYS TURN OFF MAIN POWER BEFORE INSTALLATION
INSTALLATION SHOULD BE CARRIED OUT BY YOUR LOCAL ELECTRICIAN

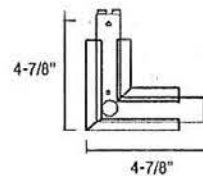
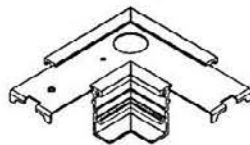
INSTALLATION OF RECESSED TRACK HOUSING:

1. Cut recessed track housing (NTRT-4/NTRT-8) to desired length. A straight squared cut is necessary in order to achieve proper fit.
2. Insert the 1-1/2" tabs horizontally into the inside channel of the housing by sliding them into either end of the housing. Use two of these tabs for every 4' section of track.
3. When connecting two or more pieces of NTRT housings in one run, use two 3" tabs to join them together, these tabs slide into the slots on both sides of the housing. First, slide half of the connecting tab into one of the housings and secure by tightening set screw. Then slide connecting housing over the protruding half of the connecting tab until both housings are connected and tighten the second set screw.
4. Complete each run with the dead end piece (NTRT-18). Insert the short ends of the two 1-3/8" brackets into the end piece and then slide the two long tabs of the brackets into the open end of the housing and secure by tightening the set screws.
5. Cut a 2" wide hole by the desired length into ceiling.
6. The recessed track housing system can be installed by using the provided mounting tabs or by screwing directly into the wood furring.
NOTE: When installing via mounting tabs, make sure to use 4 for 4' sections and 6 for 8' sections.
7. The mounting tabs are secured to the recessed track housing by bending the tab 90 degrees and inserting it into the channel in each side of the housing. Attach the tabs to any solid component of the ceiling. When mounting to wood furring, simply drill holes to the top of the housing and mount directly with #10 wood screws. If mounting to a T-bar ceiling, suspend housing with the mounting tabs to permanent ceiling while making sure that the bottom of the housing is level with the bottom of the T-bar.
NOTE: The housing flanges must overlap the ceiling surface.

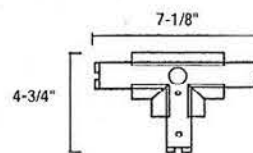
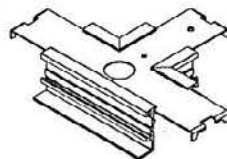
INSTALLATION OF TRACK SYSTEM:

1. Insert live end feed (NT-316 or NT-2316) into single or dual circuit track (NT-300 or NT-2300 series) and remove cover to access wiring.
2. Use mounting holes (drill if necessary) to screw track into the 1-1/2" tabs that are located on the side channel of the housing.
3. If more than one track length is needed, use NT-310 or NT-2310 to connect track sections. If an additional feed is required in a straight run, use "I" connector (NT-312 or NT-2312) with NTRT-10 connector housing.
4. Keep track end cap at the end of each run.
5. Replace any covers for any end feeds and/or connectors.

NTRI-13



NTRT-14



NTRT-15

