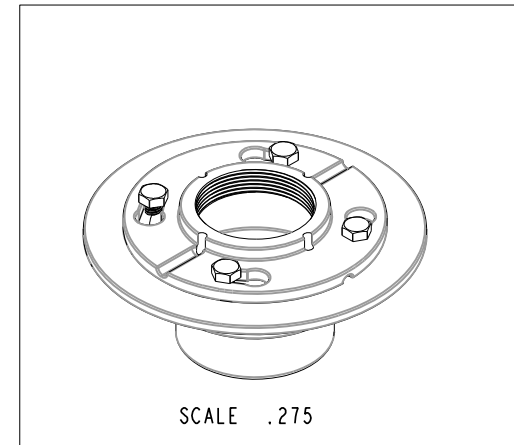
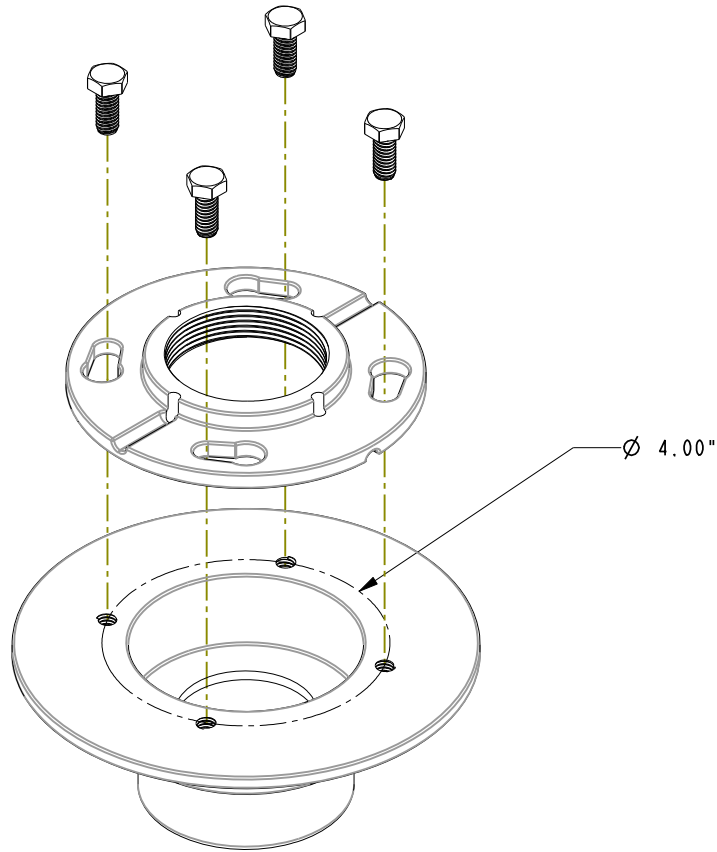


NOTES:

1. FIT / FORM / FUNCTION SHALL FOLLOW PS-E.008.

BILL OF MATERIAL (CURRENT LEVEL)

ITEM	PT/ASSY	DESCRIPTION	TYPE	QTY.
1	92515	WATTS FLOOR DRAIN COLLAR ICL-US (CAST IRON-GREY)	PART	1
2	91597	WATTS FLOOR DRAIN HUB B2L-2 (2" ABS BLACK)	PART	1
3	92521	SCRW, 5/16-18 X 3/4 HEX CAP HD 304/316 STAINLESS STEEL	PART	4



ZONE	REV	DESCRIPTION	DATE	APPROVED
B	EN-3668		7/26/18	J. A.
A	EN-2196		6/18/12	-
-	EN-1714		12/30/11	-

COPYRIGHT 2005 BRASSTECH, INC. THESE DRAWINGS AND THE DESIGNS DEPICTED HEREIN ARE THE PROPRIETARY PROPERTY OF BRASSTECH. ANY USE OR REPRODUCTION IS SUBJECT TO THE EXPRESS APPROVAL OF BRASSTECH. UNAUTHORIZED USE IS STRICTLY PROHIBITED. ALL RIGHTS RESERVED.

TESTING	ASSEMBLY	PLATING	POLISHING	MACHINING	TOOLING FIXTURE #	APPLICATION
-	-	-	-	-		REMOVE ALL BURRS AND SHARP EDGES
						NEXT ASSY USED ON

UNITS ARE: INCHES [MM]	
TOLERANCES ARE:	
FRACTIONS DECIMALS	ANGLES
±1/16"	±1°
.X ±.1 (2,5)	
.XX ±.06 (1,5)	
(X.XXX) DENOTES CRITICAL DIMS. ALL THREADS ARE CRITICAL	
DRAWN	J. AMOZOC 7/26/18
CHECKED	V. VU 7/26/18
APPROVED	V. VU 7/26/18

BRASSTECH 2001 CARNEGIE AVE. SANTA ANA, CA 92705 (949) 417-5207
INCORPORATED

FLOOR DRAIN BODY ASM

DWG NO. 278A-01 REV B

SCALE .375 REF. - SHEET | OF 3

4 3 2 1

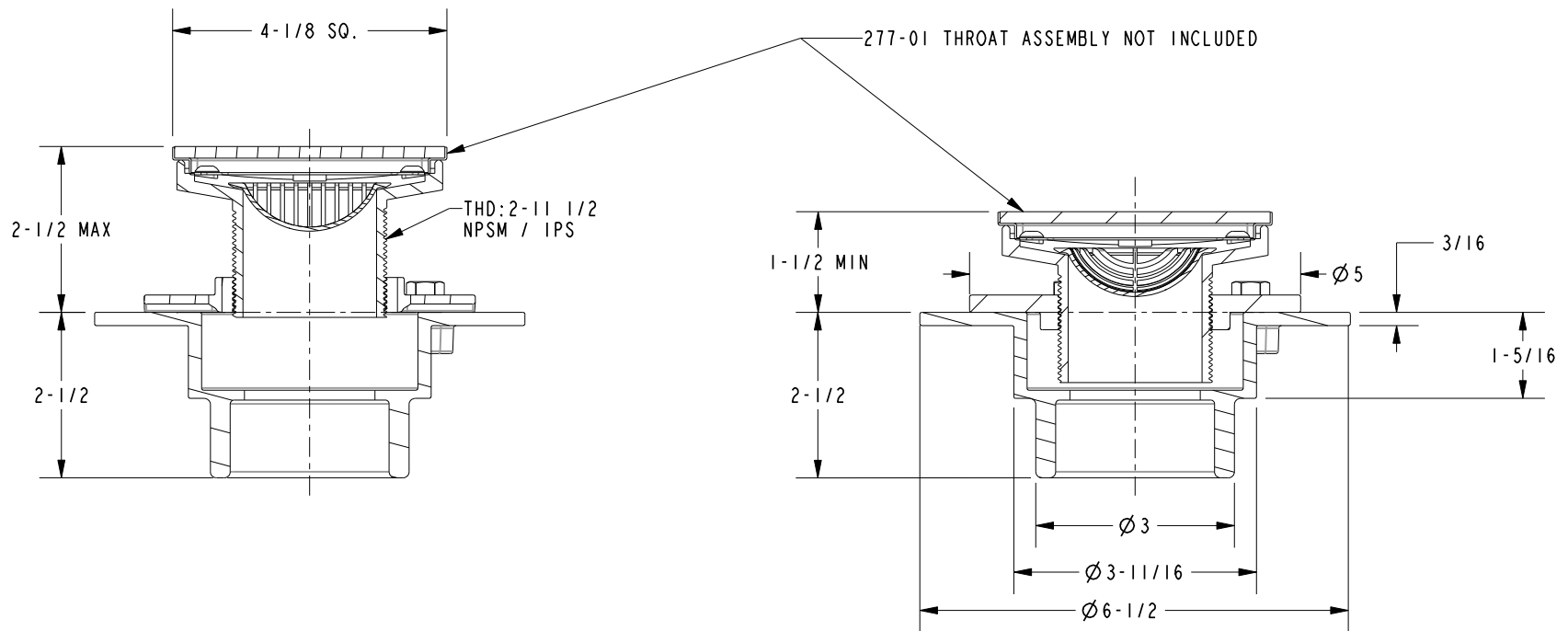
SPECIFICATION DWG

D

C

B

A

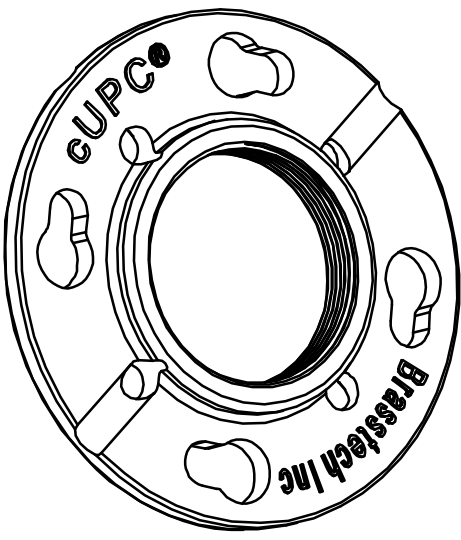
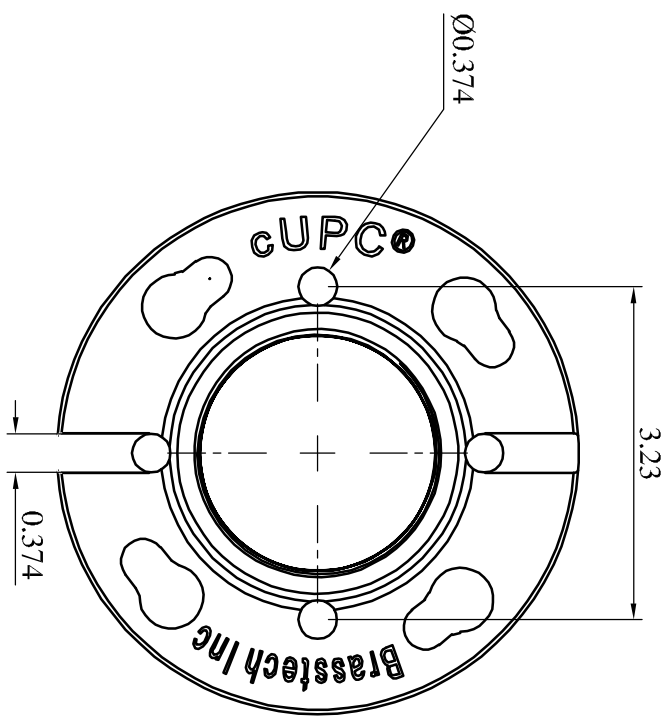


DIMENSIONS ARE IN INCHES AND AN APPROXIMATION OF A TYPICAL INSTALLATION

COPYRIGHT 2005 BRASSTECH, INC. THESE DRAWINGS AND THE DESIGNS DEPICTED HEREIN ARE THE PROPRIETARY PROPERTY OF BRASSTECH. ANY USE OR REPRODUCTION IS SUBJECT TO THE EXPRESS APPROVAL OF BRASSTECH. UNAUTHORIZED USE IS STRICTLY PROHIBITED. ALL RIGHTS RESERVED.

BRASSTECH		2001 CARNEGIE AVE. SANTA ANA, CA 92705 (949) 417-5207	
INCORPORATED			
DWG NO.	278A-01	REV B	
SCALE .375	REF. -	SHEET 2 OF 2	

SIZE	UNIT	PER CTMR DWG	DATE	REV.
A4	INCH	XXX	XX-XX-XX	X



DO NOT SCALE DRAWING

UNIPLUMBG ENTERPRISE CO. LTD.

TOLERANCES :
 UNLESS OTHERWISE SPECIFIED
 .XX ± .010 ANGLES ± 1/2°
 .XXX ± .005 FRACTION ± 1/64

W.T.: _____ gms

MATERIAL : HT200

FINISH : XXX

TITLE
FLOOR DRAIN COLLAR ICL-US

ITEM No. _____

92515

REV. **A**

DRAWN _____

Makey 5/29/18

SCALE 1 : 1

PROJECTION

APR. _____

FILE XXX

SHEET : 1 / 1

FILE XXX