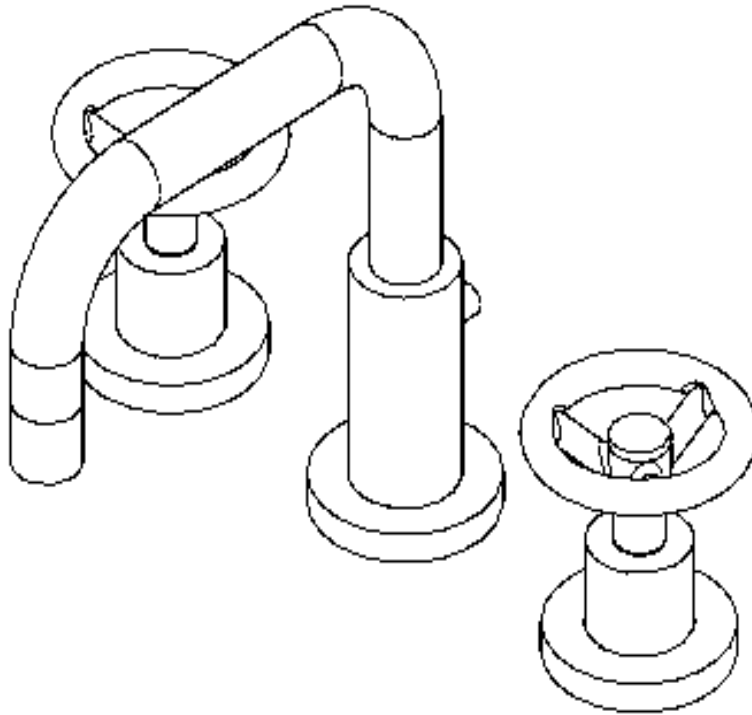


INSTALLATION INSTRUCTIONS
WIDESPREAD DECK FAUCET
MODEL No's: 2960

NEWPORT BRASS®
Flawless Beauty. From Faucet to Finish.™



**Congratulations on the purchase
of your Newport Brass product,
an excellent choice, that will give you
years of quality service and enhance**

Recommended Installation by a Professional Plumbing Contractor

Note: The use of petroleum base plumbers putty on our products will nullify the warranty. We recommend the use of clear silicone sealing materials. Recommended deck hole Ø1.38.

1. Place the spout's threaded rod and hoses through center hole of mounting surface. Secure spout into place with rubber gasket, mounting crescent and nut. See Fig. 1
2. Place nut & washer on valve body. Insert body, (blue cold & red hot), through hole in the mounting surface. Adjust and secure with additional washer and nut so that the top of valve is 2" above the top of mounting surface. See Fig. 1
3. Connect hoses to side outlet of each valve body. Hand-tighten and secure each connection with a wrench ¼ turn. See Fig. 2
4. Attach hot/cold water supply hoses (not included) to appropriate valve, utilizing cone washers, friction rings and nuts supplied. See Fig. 2
5. Attach escutcheon/bonnet to valve. Remove handle lever from handle. Place handle onto valve stem. Any adjustments for rotational alignment must be made to the valve body - not to the cartridge. Secure handles into place with setscrew. (Note: Allow minimum spacing between handles and escutcheon/bonnet to prevent damage to the surface finish.) Reattach handle lever. See Fig. 3
6. Remove aerator from spout, turn on water supply, and flush both valves until water is clear. Check for leaks and make any final adjustments required. Re-attach aerator to the spout. See Fig. 4.

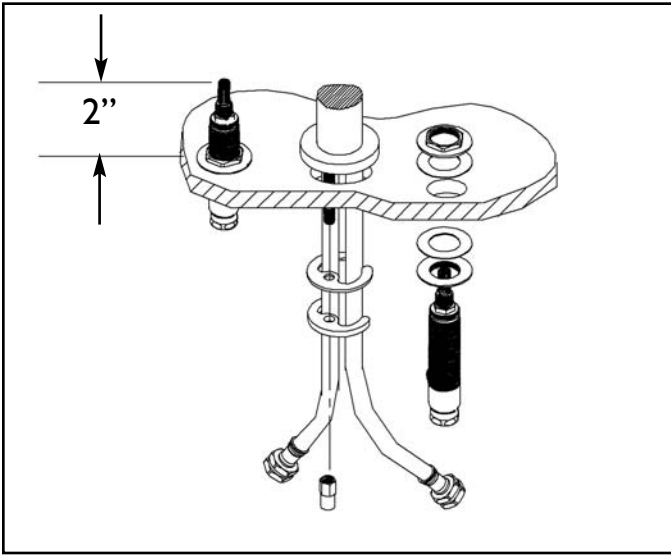


Figure 1

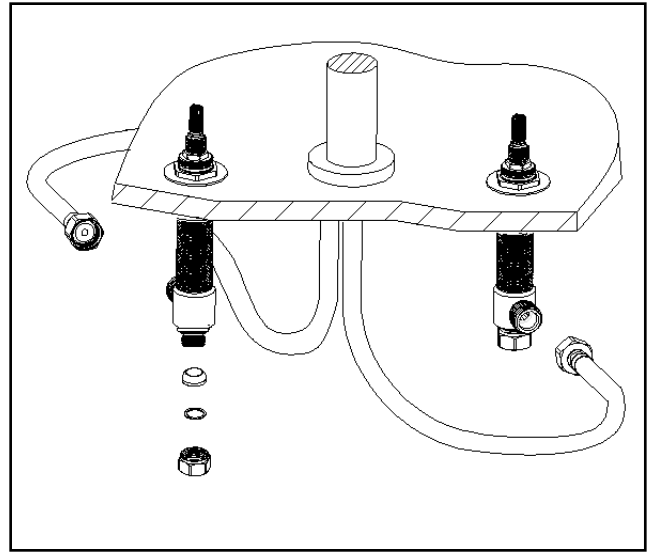


Figure 2

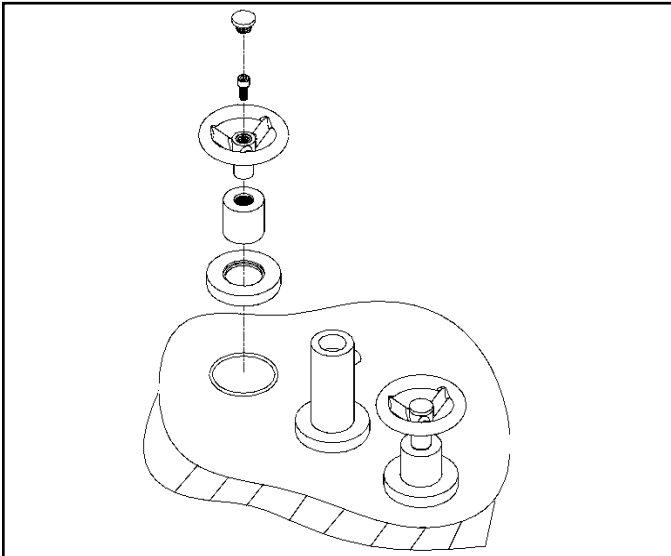


Figure 3

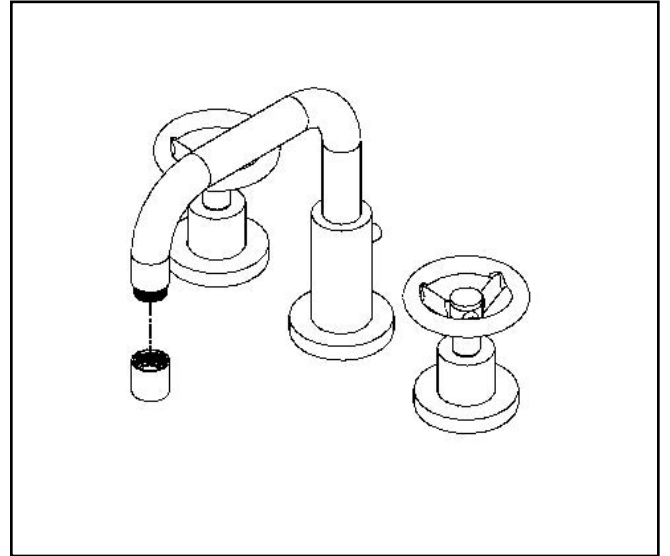


Figure 4