

NEWPORT BRASS®

Flawless Beauty. From Faucet to Finish.™

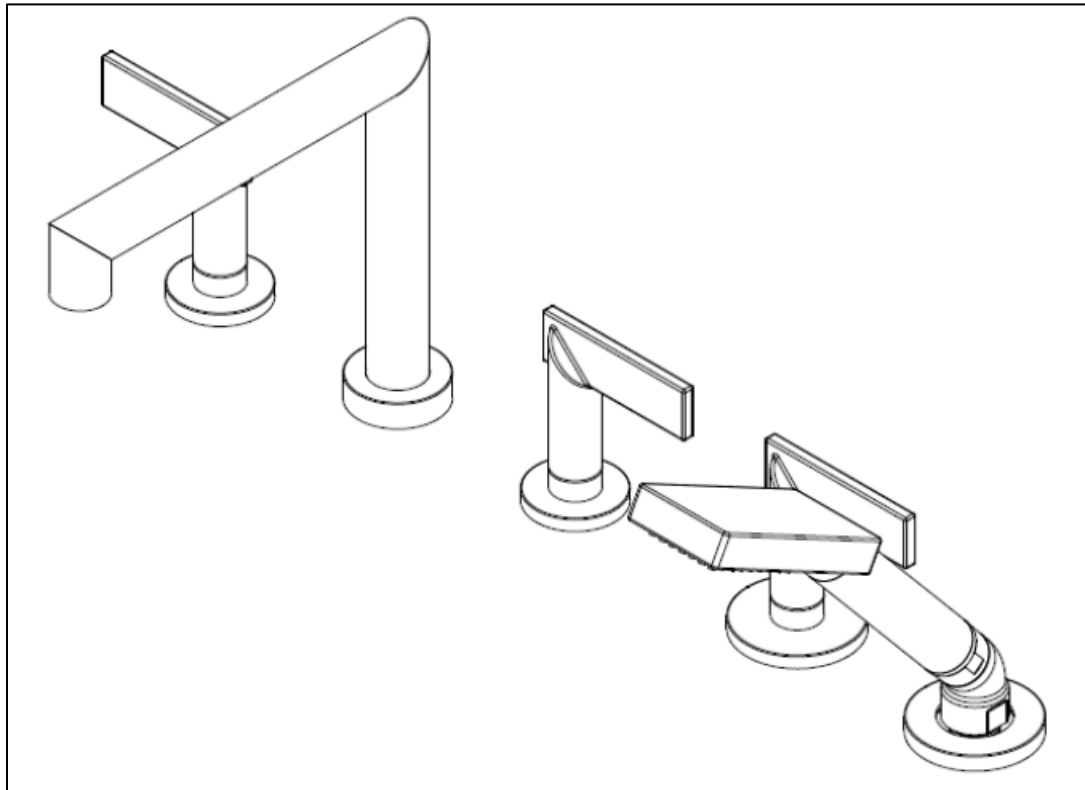
Installation Instructions

ROMAN TUB 3 VALVE LONG STEM AND TRIM

Valve Body No. 1-678 & 1-698

Trim Kit for Model No's:

3-3127	3-2497
3-3107	3-2487



Congratulations on the purchase of this Newport Brass product, an excellent choice, that will give you years of quality service and enhance the look and style of your home.

Rough In Valve Installation

Recommended Installation by a Professional Plumbing Contractor

Note: Use plumbers tape or equivalent to seal all threaded joints. Plumb with 3/4" copper pipe is recommended.

Warning: To prevent severe damage to valve body, any solder/braze process must be performed a min. of 4" from ports.

1. Install the SPOUT QUICK CONNECT SHANK (3) through appropriate hole of mounting surface, and secure with WASHER NUT (1A).
2. Place lower WASHER NUT (1B) on VALVE BODY (12). Insert VALVE BODY (12), (blue cold & red hot), through hole from underside of deck.
3. Use INVERTED FLANGE NUT (2) to ensure adequate stem height per **Table I**, install Tighten lower WASHER NUT (1B) to secure VALVE BODY (12).
4. Remove UPPER FLANGE NUT (4) and install DIVERTER VALVE (10) from underside of deck. Reattach and bottom out UPPER FLANGE NUT (4) onto DIVERTER VALVE (10).
Note: place UPPER FLANGE NUT (4) on finished deck surface. See **Figure 1a**.
5. Secure DIVERTER VALVE (10) to deck by tightening LOWER FLANGE NUT (11).
6. Trim DIVERTER STEM (13) to height shown in **Table I**. Cut ALL THREAD NIPPLE (14) 1/2" shorter than stem
7. Install HAND SHOWER DECK FLANGE (5) housing through hole on finished deck surface and METAL WASHER (6) and secure with FLANGE NUT (7).
8. Place plastic HOSE GUIDE (8) onto lower portion of housing HAND SHOWER DECK FLANGE (5).
9. Feed BRAIDED HAND SHOWER HOSE (9) through deck flange and connect female thread hose into the hand shower outlet of DIVERTER VALVE (10) 1/2"-14 NPSM. See **Figure 2**.
10. Use tape or string to temporary tie the male thread end of the BRAIDED HAND SHOWER HOSE (9) to DIVERTER STEM (13) to prevent it from falling underneath the deck.
11. Attach hot/cold supply lines to appropriate VALVE BODY (12). See **Figure 2**.
12. Connect outlet from each VALVE BODY (12) to the two side inlets of the DIVERTER VALVE (10).
13. Connect 3/4" bottom outlet of DIVERTER VALVE (10) to tub spout fitting as shown in **Figure 2**.

Figure 1

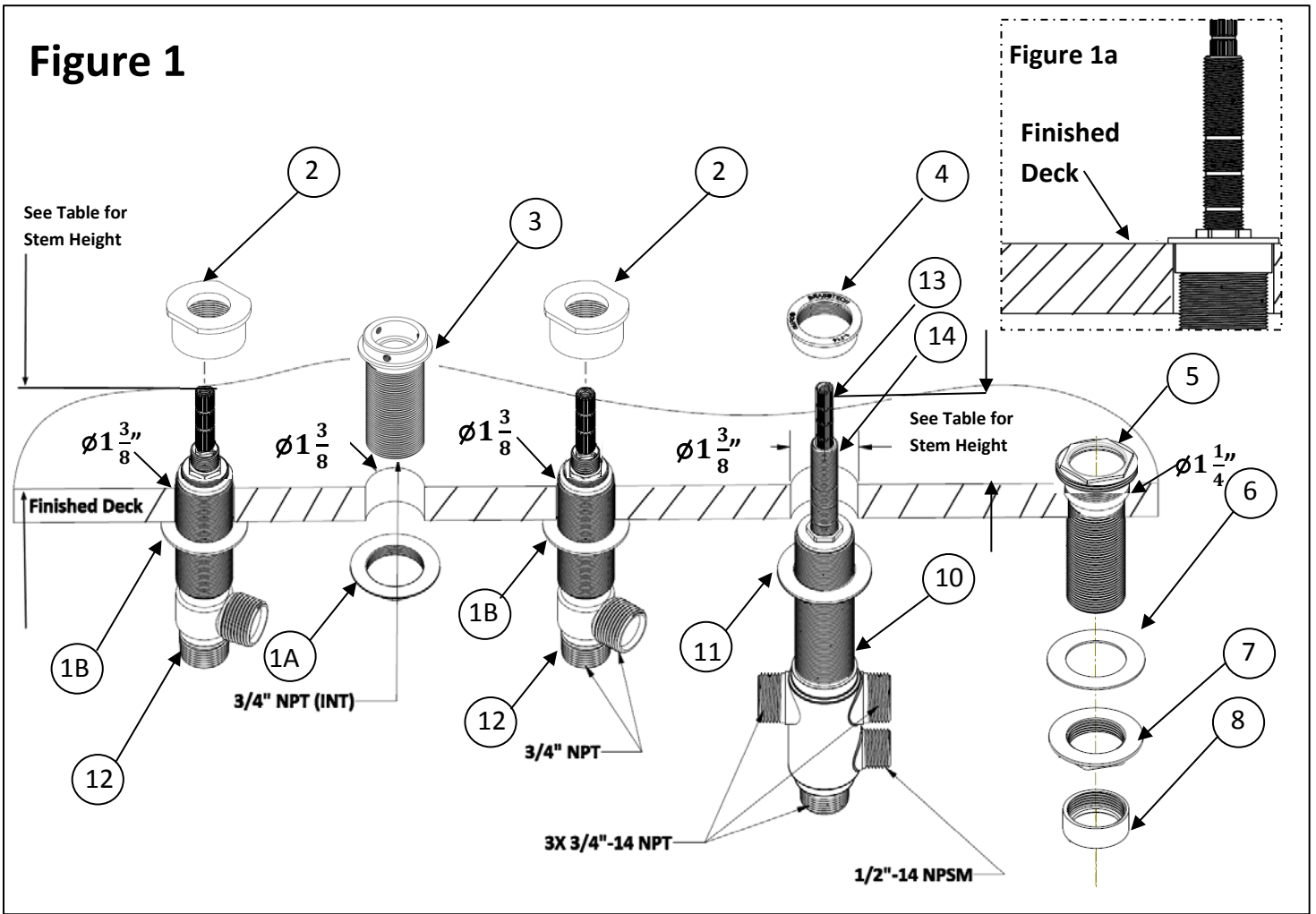
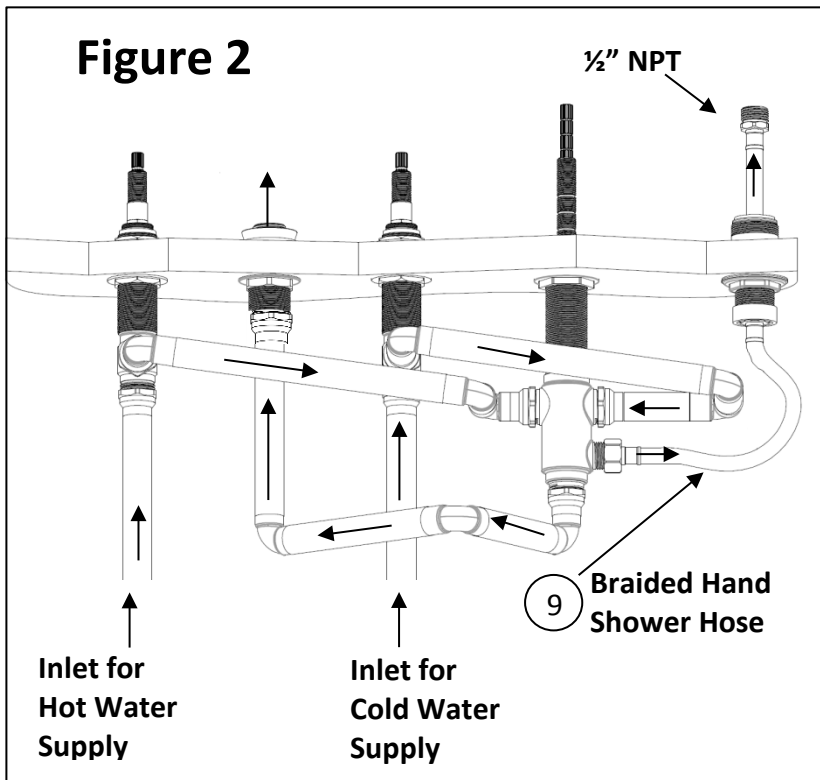


Figure 2



***Note:** Some states require an ASSE 1016 approved Tempering Valve installation with this product. See disclaimer (**Figure 4** in Page 5) for proper installation.

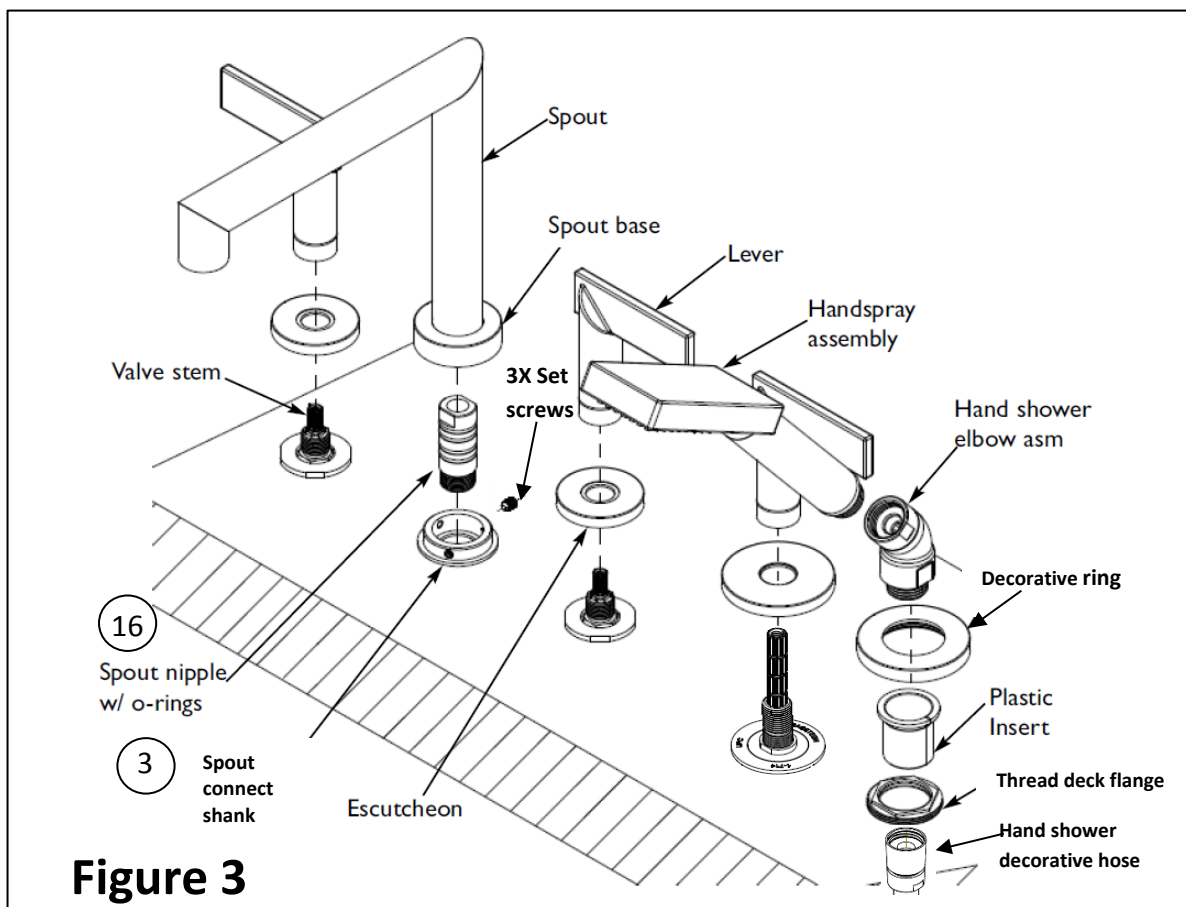
Trim Installation

Table I

SERIES	3-3127	3-3107	3-2497	3-2487
STEM HEIGHT	1-3/8"	1-3/8"	1-3/16"	1-3/16"

Note: If cartridge was removed for any reason, it **MUST** be re-tighten to factory torque of 14-16 ft-lbs.

1. Attach handle trim and diverter trim to valves. Any adjustments for handle rotational alignment must be made to the valve body - not to the cartridge. (Note: Allow minimum spacing between handles and escutcheon/bonnet to prevent damage to the surface finish.) Secure handles into place with set screw, as applicable. **See Figure 3.**
2. Apply plumbers tape to SPOUT NIPPLE (16) and install into SPOUT QUICK CONNECT SHANK (3). Slide SPOUT into QUICK CONNECT DECK SHANK (3) (re-grease if necessary). Make sure spout is flush with deck. Temporary slide SPOUT BASE 1" upward from finishes deck to expose SPOUT QUICK CONNECT SHANK (3). Tighten the SET SCREW to secure SPOUT. Slide the SPOUT BASE back. **See Figure 3.**
3. Install DECORATIVE RING to THREADED DECK FLANGE. Attach braided hose, from diverter, to HAND SHOWER DECORATIVE HOSE and assembly.
4. Turn on water supply, check for leaks, functions, and make any final adjustments required.



Disclaimer Regarding Brasstech Roman Tub with Hand Spray

To conform to local codes and ordinances, all Brasstech Roman tub with hand spray products should be used in concert with an ASSE 1016 approved tempering valve to reduce the hot water supply to a safe temperature not exceeding 110°F (43°C).

Important: Water temperatures in excess 110°F (43°C) are dangerous and may cause scalding, severe injury or death!

Tempering valve should be installed and adjusted by a licensed contractor per the valve manufacturer installation instruction, and in accordance with local codes and ordinances. In general, key characteristics to ensure a tempering valve to work best with Brasstech Roman tub with hand spray products shall be as follows:

- Tempering valve should be used prior to the Roman tub product to reduce the hot water supply to a safe temperature.
- To ensure sufficient water flow through the tub spout, tempering valve should be capable to handle a flow rate of 10 GPM or more.
- Tempering valve should include inlet filter washer and check valves in both the hot and cold water inlets to protect against cross flow.

Pressure - Temperature - Flow Rate

Minimum supply pressure static: 30psi (207 kPa)

Inlet temperature: Hot inlet, 120°F – 180°F (49°C – 82°C)

Cold inlet, 39°F – 85°F (4°C – 29°C)

Temperature out: Field range: 80°F -120°F (27°C – 49°C), adjustable. Accurate within +/-3°F (1.7°C)

Maximum temperature: 200°F (93°C)

Maximum pressure: 150psi (10.3 bar)

Minimum flow: 0.5 GPM (1.9 lpm) @ 0.8psi (0.55 kPa)

Maximum flow: 20 GPM (76 lpm) @ 125psi (862 kPa)

***Note:** Valve should be installed in a location where it is accessible for cleaning or service. Due to the effects of various water conditions, periodic verification of outlet water temperature is required.

