

MT8120X-NL

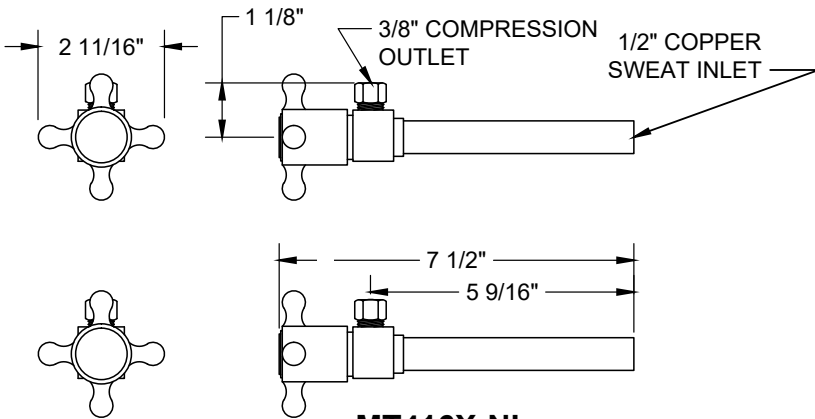
LAVATORY SUPPLY KIT

SPECIFICATION SHEET

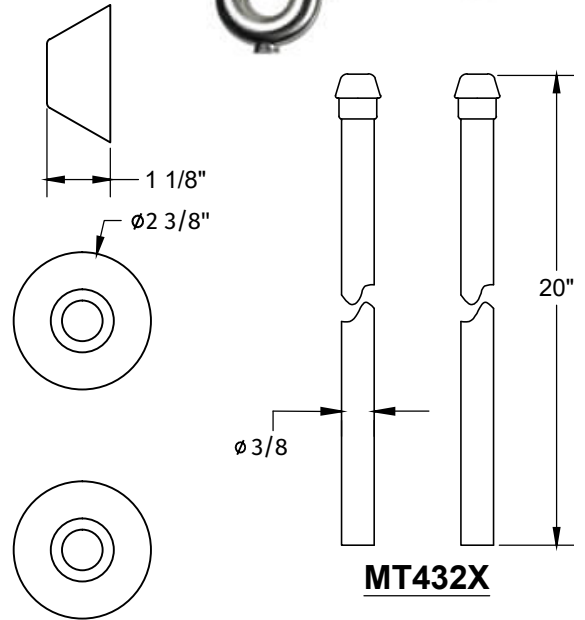
- TWO LEAD FREE cUPC CERTIFIED MT416-NL VALVES WITH 1/4 TURN CERAMIC DISC CARTRIDGE
- 1/2" COPPER SWEAT INLET
- 3/8" O.D. COMPRESSION OUTLET
- TWO MT432X NO LEAD SUPPLY TUBES
- ONE MT304X 1-1/4" x 1-1/2" P-TRAP
- OFFERED IN MANY STANDARD DECORATIVE FINISHES
- SPECIAL FINISHES AVAILABLE UPON REQUEST



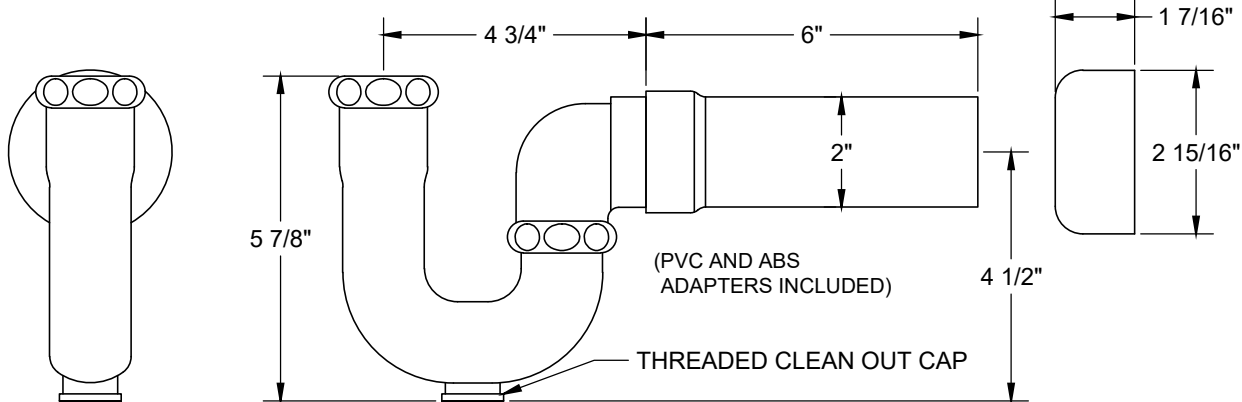
Mountain Plumbing Products



MT416X-NL



MT432X



MT304X

WARRANTY

FOR WARRANTY INFO PLEASE VISIT WWW.MOUNTAINPLUMBING.COM/PAGE/RESOURCES/WARRANTY

FINISH CARE & MAINTENANCE

NEVER USE ANY HARSH ALKALI, ACID BASED DETERGENTS OR CLEANERS SUCH AS SOFT SCRUB®, SCRUBBING BUBBLES® OR COMET® TO CLEAN. DO NOT USE BRILLO® OR SCOTCH BRITE® PADS. THESE WILL ALL HARM THE FINISH. TO CLEAN, USE ONLY A DAMP SOFT CLOTH AND WIPE GENTLY. STANDARD WINDEX® CAN ALSO BE USED SPARINGLY. IT IS NOT NECESSARY TO WIPE HARD TO REMOVE SPOTS. TO MAINTAIN THE FINISH, WIPE WITH A SOFT DRY CLOTH AFTER USE. AN OCCASIONAL COAT OF PURE CARNAUBA WAX WITHOUT CLEANERS WILL HELP PROTECT THE FINISH.

SPECIFICATIONS SUBJECT TO CHANGE WITHOUT NOTICE

www.mountainplumbing.com 888-222-9140 fax 972-456-2719

MT8120X-NL