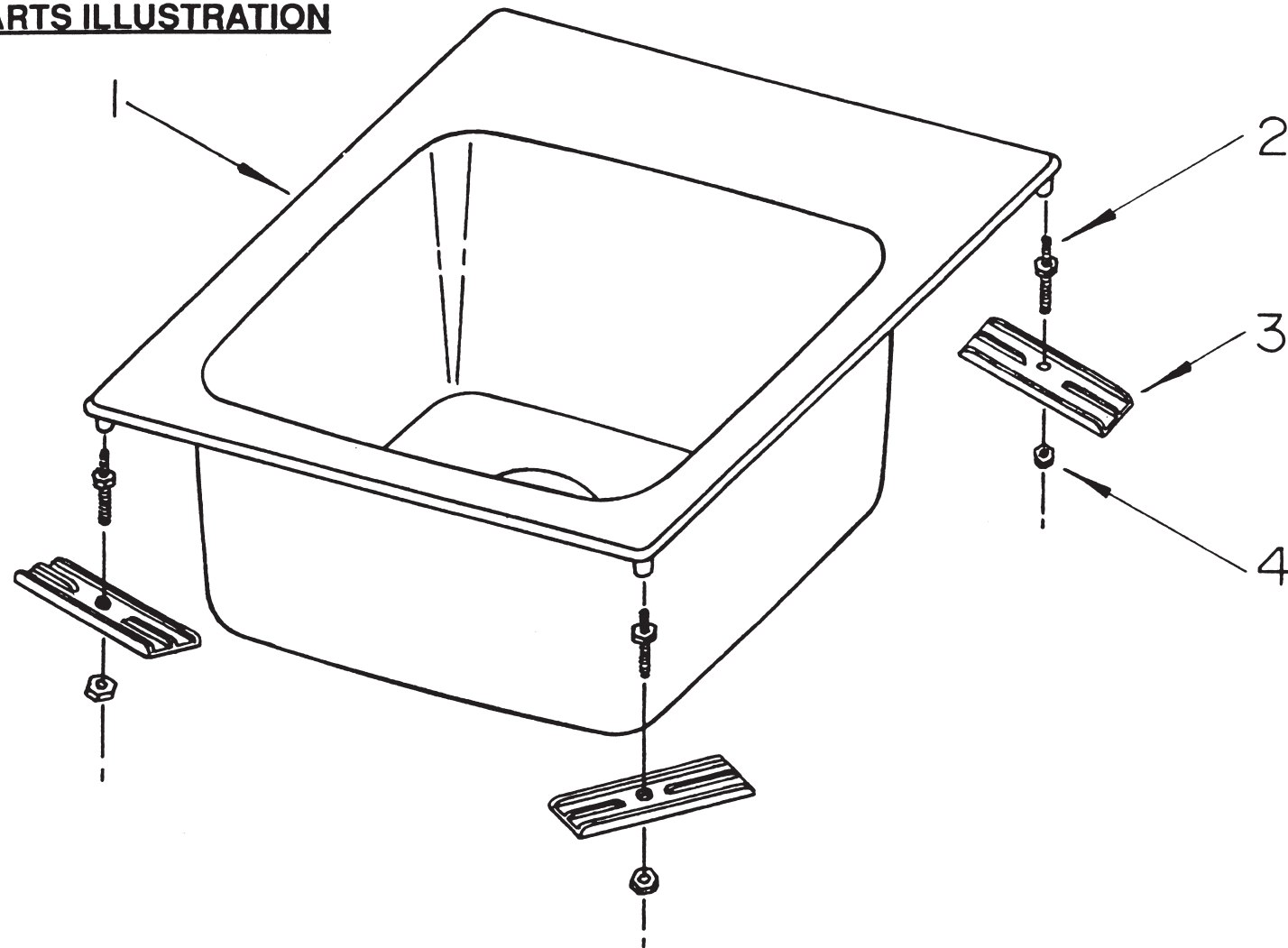


MUSTEE HOSPITALITY SINK MODEL 20 "SELF RIMMING – COUNTERTOP MOUNTED"

MUSTEE HOSPITALITY SINK MODEL 20



PARTS ILLUSTRATION



PARTS LIST

KEY NO.	PART NUMBER		DESCRIPTION
	WHITE	BONE	
1	20.105	20.106	Self Rimming Sink
2	*	*	Mounting Stud (4 Required)
3	*	*	Mounting Plate (4 Required)
4	*	*	Mounting Nut (4 Required)

* **NOTE: FOR REPLACEMENT HARDWARE, ORDER COMPLETE PARTS PACKAGE
PART NO. 10.606 - PACKAGES WILL NOT BE SPLIT FOR INDIVIDUAL PARTS.**

E.L. MUSTEE & SONS, INC.

5431 West 164th Street • Brook Park, Ohio 44142

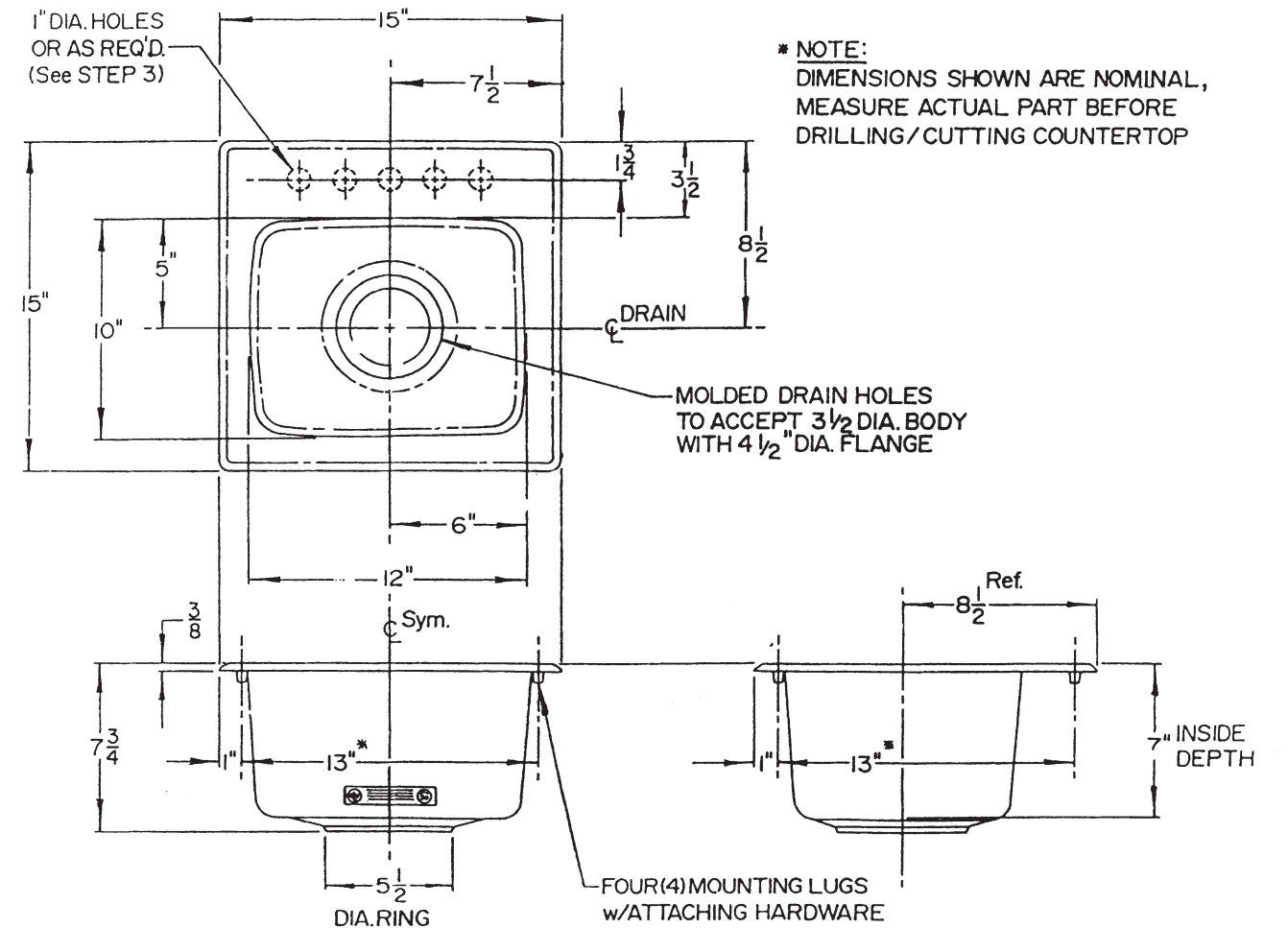
SI-163 (07•14)

Your **Hospitality Sink** requires a 13 7/8" x 13 7/8" countertop cutout. (preferably with a 7/16" radius in each corner) Refer to "ROUGH-IN-DIMENSIONS". **NOTE:** The centerline of the drain is located 8 1/2" from the back edge and 7 1/2" from either side. If you choose, you may use your **Hospitality Sink** as a template for laying out the countertop cutout, refer to "COUNTERTOP CUTOUT DETAILS" before doing any drilling or cutting.

CARE AND CLEANING

The surface of your Self-Rimming **Hospitality Sink** may be cleaned with a mild soap in warm water using a soft cloth. For stubborn stains use "Soft-Scrub" by Clorox or Lysol "Tub & Tile Cleaner" or a powdered detergent such "Spic-n-Span". Never use abrasive scouring powder or steel wool pads as they will dull the surface. A periodic coating of a silicone based marine polish will help retain the fine finish.

ROUGH-IN DIMENSIONS



1. Place **Hospitality Sink** (1) upside down on countertop in desired location -- hold sink in place and scribe a guide line all around the rim with a pencil.

HINT:

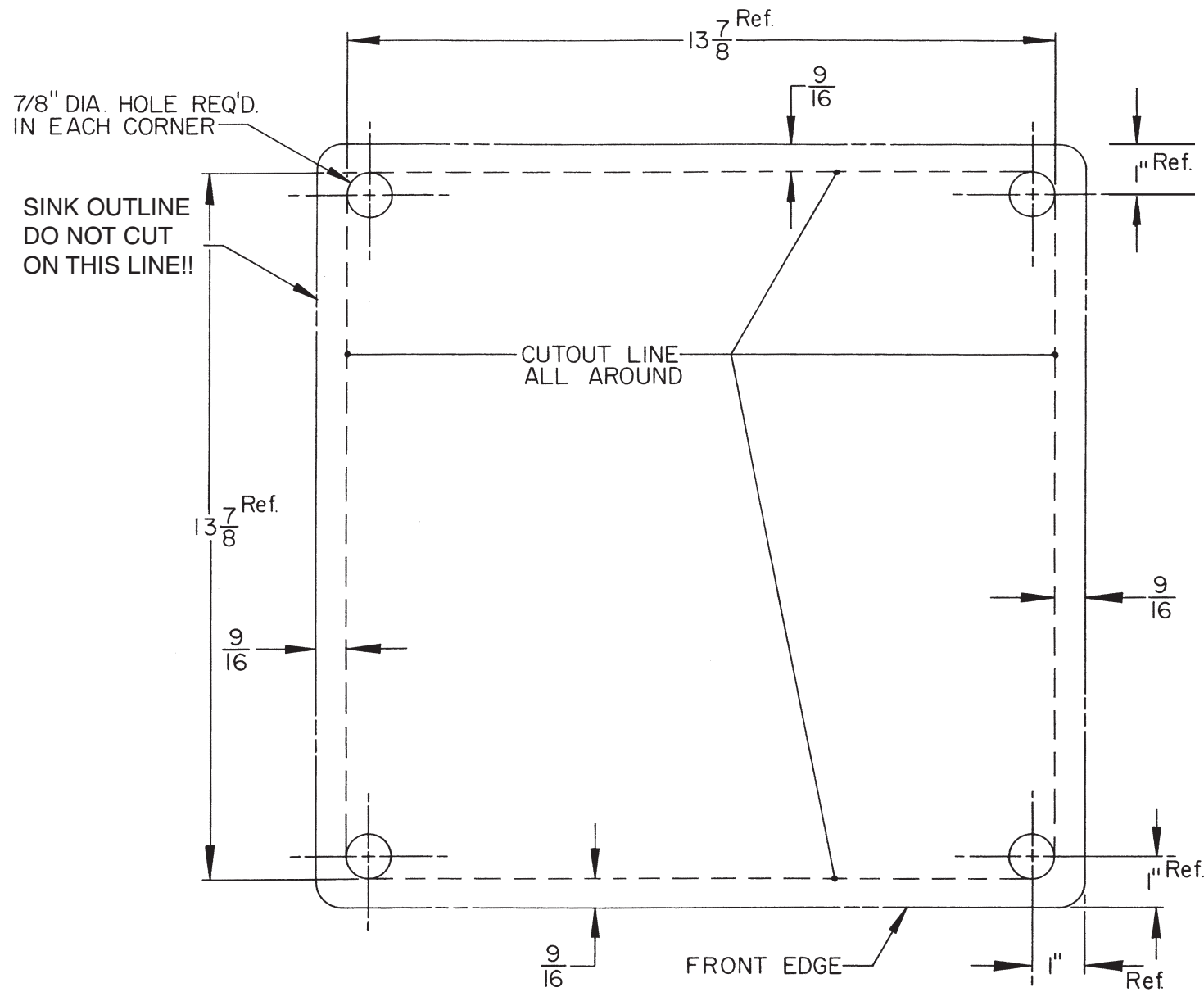
If pencil does not mark surface of countertop, you may apply 2" wide masking tape to the approximate area and do the marking directly on the tape surface. Leave tape in place to protect countertop surface during drilling and cutting.

2. Remove **Hospitality Sink**, measure in 9/16" from guide-line area all around, **this will be your cutting line**. Drill a 7/8" diameter hole in each corner, insert saber saw blade (fine tooth) into one of the corner holes and cut along, "Cutout Line". See "COUNTERTOP CUTOUT DETAILS".

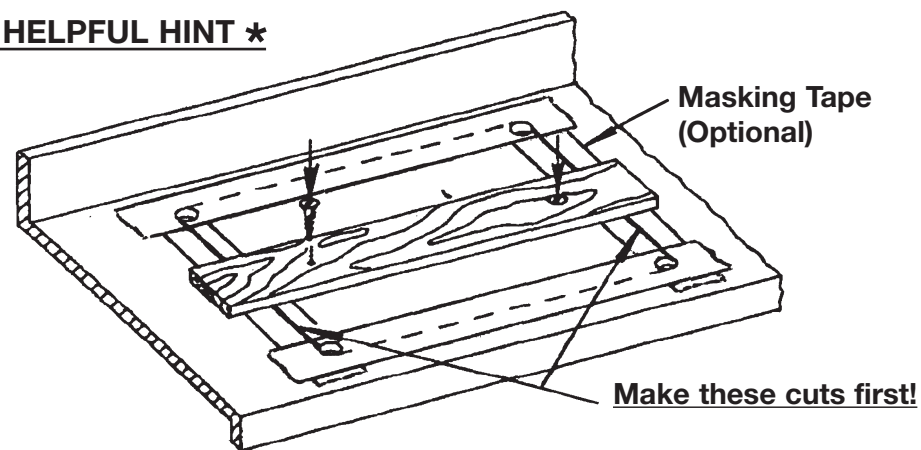
E.L. MUSTEE & SONS, INC.

5431 West 164th Street • Brook Park, Ohio 44142

COUNTERTOP CUTOUT DETAILS

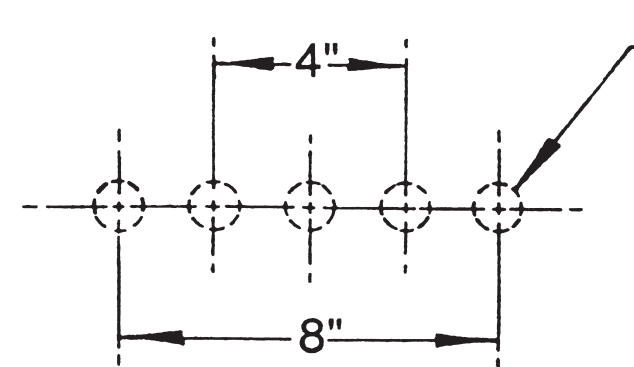


* HELPFUL HINT *



After making cuts along sides of cutout, secure a board as shown to prevent cutout from prematurely dropping and possibly damaging surface of countertop.

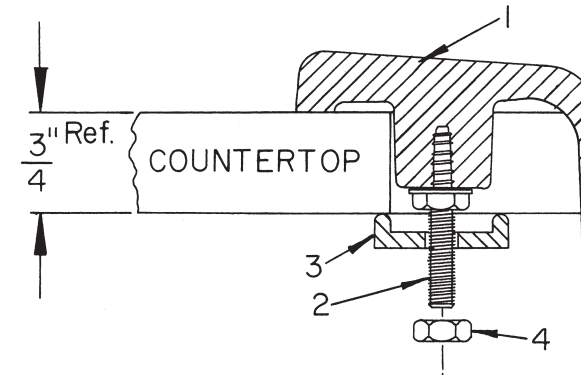
- The rear ledge of your **Hospitality Sink** will accept many different faucets; 4" Center Set either right or left, 8" Center Set on center. Depending on the model faucet you choose, the appropriate holes will have to be drilled. You will notice that there are five indented hole locators molded-in, on the underside of the rear ledge, do not cut out faucet holes until you have measured the actual faucet (some single lever faucets require a large center / Supply hole and small diameter mounting holes). A 1" diameter, fine tooth hole saw with center drill pilot would normally be used for the majority of faucet hole drilling. Drill from underside of rear ledge to mark center, turn upright to finish cutting with hole saw.



INDENTED HOLES ON UNDERSIDE OF REAR LEDGE TO BE DRILLED OUT BY CUSTOMER TO ACCEPT EITHER 4" OR 8" SUPPLY CENTER FAUCETS

FAUCET HOLE DETAIL

- Install "Basket" Style Drain Assembly "Not furnished" per manufacturer's instructions. The **Hospitality Sink** is furnished with a 3 1/2- diameter drain hole.
- Install Mounting Studs (2) in each corner lug-CAUTION- DO NOT OVER TIGHTEN!! A standard 5/16" socket or wrench is required. Screw stud in place until nut makes contact with bottom of lug — continue 1/4 turn, maximum. Repeat this operation for each mounting lug. — See "TYPICAL STUD INSTALLATION"



TYPICAL STUD INSTALLATION

HINT:

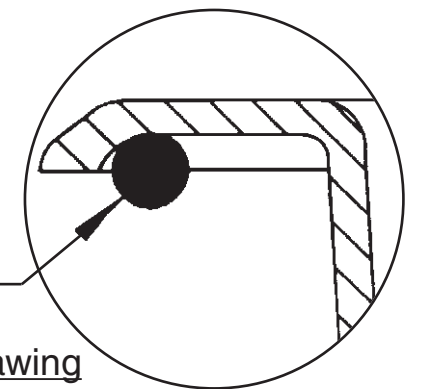
Apply a dab of siliconized sealant to threads to lubricate stud and ease installation.

- Apply a bead of clear siliconized sealant (not furnished) all around the underside of the rim in the molded-in-groove — See Detail Drawing. Place **Hospitality Sink** into the countertop cutout, secure from the underside with hardware provided. You will need a 7/16" socket or wrench to secure Mounting Nuts (4) in place. Wipe away any excess sealant that squeezes out during tightening.

*Siliconized Sealant such as:
CELULON™ Plumbing & HVAC
Adhesive Sealant by Red Devil®

APPLY A BEAD OF SILICONIZED SEALANT* APPROXIMATELY 3/8" DIAMETER THIS AREA, ALL AROUND UNDERSIDE OF RIM.

Detail Drawing



- Complete water supply and proper sanitary waste trap connections as specified by local code requirements.

Number in () parenthesis refer to Key Numbers in Parts List.